

**FEATURES**

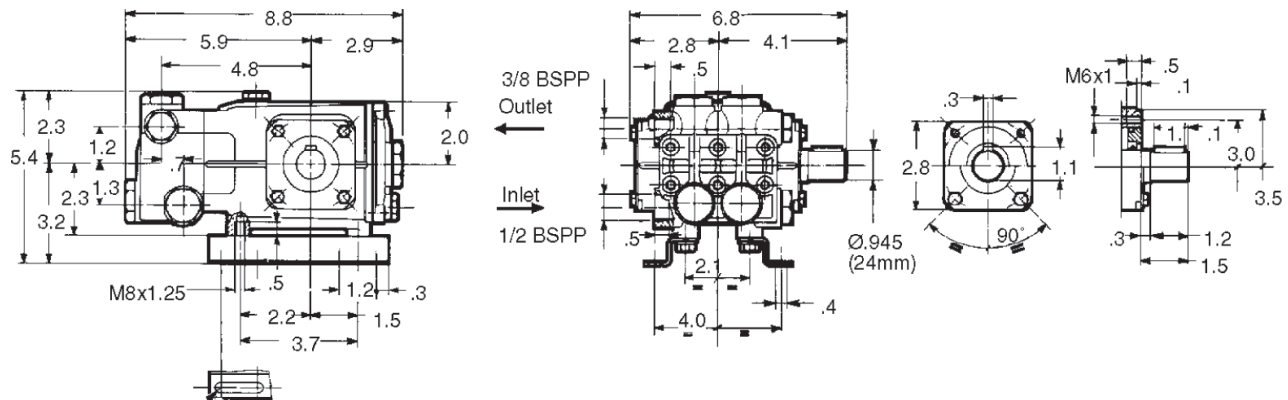
- Forged brass manifold with a an exclusive lifetime warranty
- Die-cast, anodized aluminum, oil-bath crankcase
- Solid ceramic plungers with continuously lubricated packings
- The original Interpump unitized stainless steel K01 inlet and outlet valves
- Ideal for drain cleaning and jetting applications
- Duplex pulsing action for improved impacted cleaning
- Also available in "L" left-handed and aluminum manifold versions



**SPECIFICATIONS**

Pump Model	T721B	T731B	T9721B	T9731B
Maximum Volume	2.2 GPM	3.0/3.5 GPM	2.1 GPM	2.85 GPM
Maximum Discharge Pressure	1200 PSI	1200/1000 PSI	1000 PSI	1000 PSI
Maximum Pump Speed	1450 RPM	1450/1750 RPM	1750 RPM	1750 RPM
Maximum Inlet Pressure	125 PSI			
Maximum Inlet Vacuum	9 ft. water (7.9 in. Hg)			
Plunger Bore	.787 in. / 20 mm			
Plunger Stroke	.374 in. / 9.5 mm	.472 in. / 12.0 mm	.307 in. / 7.8 mm	.413 in. / 10.5 mm
Crankcase Oil Capacity	10.1 oz.			
Maximum Fluid Temperature	165°F			
Inlet Port Thread	1/2-14 BSP-F			
Discharge Port Thread	3/8-19 BSP-F			
Shaft Diameter	.945 in. / 24 mm			
Weight	11 lbs.			
Dimensions	8.8 x 6.8 x 5.4			

**DIMENSIONAL DRAWING**

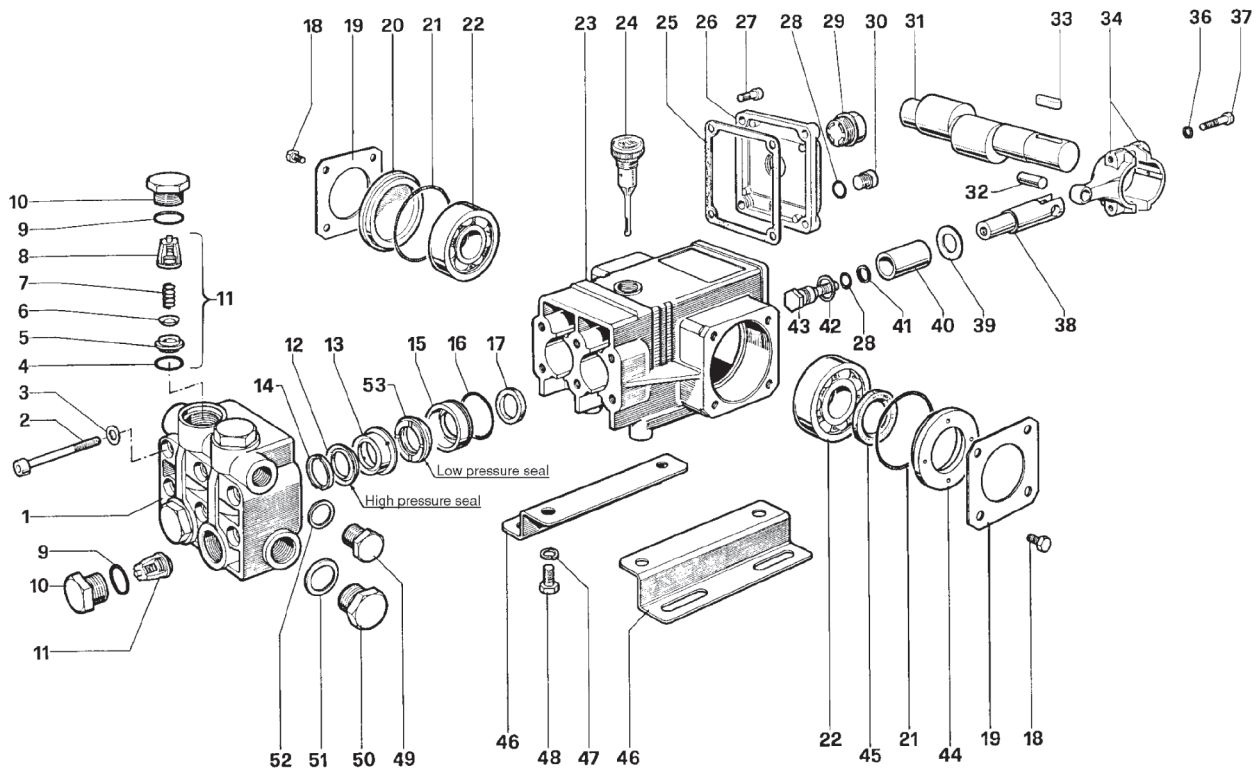


General Pump is a member of the Interpump Group



# T Series 49 - Solid Shaft

**GENERAL PUMP** *A member of the Interpump Group*



## PARTS LIST

ITEM	PART NO.	DESCRIPTION	KIT NO.	QTY.	ITEM	PART NO.	DESCRIPTION	KIT NO.	QTY.	ITEM	PART NO.	DESCRIPTION	KIT NO.	QTY.
1.	49120041	Manifold, Brass		1	21.	90409700	O-ring, 2.187x.139		2	39.	96728600	Washer, M14x28x5	6	2
2.	99317500	Screw, M8 x 60		6	22.	91832900	Bearing, Ball		2	40.	50040409	Plunger (20 mm)		2
3.	96701400	Washer, M8.4 x 13 x.8		6	23.	49010422	Crankcase		1	41.	90506700	Ring, Back-up	6	2
4.	90384100	O-ring, .674x103		4	24.	98210300	Oil Dip Stick		1	42.	96728000	Washer, M14x18.5x.055	6	2
5.	36200366	Seat, Valve		4	25.	49211984	Gasket, Cover		1	43.	47219566	Screw, Plunger	6	2
6.	36200176	Plate, Valve		4	26.	49160322	Cover, Crankcase		1	44.	50211551	Spacer		1
7.	94737600	Spring		4	27.	99183700	Screw, M6x14		4	45.	90163400	Seal, Oil		1
8.	36200251	Guide, Valve		4	28.	90358500	O-ring, .426x.070	6	3	46.	50200074	Feet, Pump		2
9.	90384700	O-ring, .797x.103		4	29.	97596800	Indicator, Oil		1	49.	98210000	Cap, 3/8-BSP		1
10.	98222000	Cao, M24x2x16		4	30.	98204100	Cap, 1/4-BSP		1	47.	96701600	Easher, M8.4		4
11.	36703201	Valve Assembly		4	31.	49020435	Crankshaft, T9721B		1	48.	99303700	Screw, M8 x 16		4
12.	90270300	Packing	19,27	2		49020135	Crankshaft, T731B		1	49.	98210000	Cap, 3/8-BSP		1
13.	50216670	Ring, Int.	20,27	2		49022035	Crankshaft, T9721B		1	50.	98217600	Cap, 1/2-BSP		1
14.	50100051	Ring, Head	21,27	2		49021735	Crankshaft, T9731B		1	51.	96751400	Washer, M21.5x27x1.5		1
15.	50080570	Retainer, Packing	22,27	2	32.	97733000	Pin, Wrist		2	52.	96738000	Washer, M17.5x23x1.5		1
16.	90361200	O-ring, 1.239x.070	22,27	2	33.	91487800	Key		1	53.	90269800	Seal, LP, 20mm	19,27	2
17.	90161400	Seal, Oil	23	2	34.	50030001	Rod, Connecting		2					
18.	99180700	Screw, M6x10		8	36.	96693900	Washer, M6.4x10x.7		4					
19.	50150074	Cover, Crankcase		2	37.	99192700	Screw, M6x35		4					
20.	50211651	Spacer		1	38.	50050056	Guide, Plunger		2					

## REPAIR KITS

KIT NO.	1	4	6	19	20	21	22	23	27
ITEM NO's INCLUDED IN KIT	4,5,6 7,8 (11)	9, 10	23, 39, 41, 42, 43	12, 53	13	14	15, 16	17	12, 13, 14, 15, 16, 53
NUMBER OF ASSEMBLIES IN KIT	6	6	3	3	3	6	3	3	1
NUMBER OF CYLINDERS KIT WILL SERVICE	3	3	-	3	3	3	3	3	1

## TORQUE SPECS\*

Pos.	Ft/lb	N-M
2	14.7	19.2
10	95.9	130
18	7.3	10
27	7.3	10
29	13.2	18
30	14.7	19.2
37	8.8	12
43	14.7	19.2
48	14.7	19.2
49	5.1	7
50	29.4	40

\* Decrease torque by 20% if threads are lubricated

