



FEATURES

3 way flow-through design, relief valve

- Regulates operating pressure of the system by releasing excess volume through the by-pass.
- Limits pressure in the system to the adjusted value.
- Protects the system from overpressurization.
- Suitable for controlling several units at the same time.

SPECIFICATIONS

Part Number	RV2
Maximum Volume	48 GPM
Maximum Pressure	2900 PSI
Port Sizes: Inlet	1 – 11 BSPP
Outlet	3/4 – 14 BSPP
By-pass	1-1/4 – 11 BSPP
Inlet-Outlet Air Ports	1/4 – 19 BSPP
Weight	9.9 lb.
Material: Upper Valve Body	OT58 Brass
Lower Valve Body	OT58 Brass
Valve Seat	AISI 431 s.s.
Valve	AISI 420 s.s. with Stellite

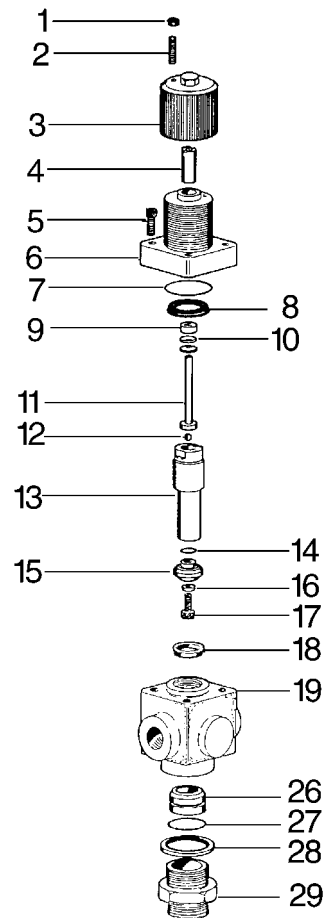
WARRANTY

General Pump accessories are warranted by the manufacturer to be free from defects in material and workmanship. Period of warranty shall be 90 days from date product is received by the original buyer. Liability of manufacturer under the foregoing warranty is limited to **repair** or **replacement** at the option of manufacturer of that product which according to the manufacturer's investigation was deemed defective at time of shipment. Damage resulting from neglect, abuse, tampering or misapplication voids this warranty. This warranty is in lieu of all other warranties, expressed or implied, including any warranty of merchantability and/or any and all other obligations or liabilities on the part of the manufacturer.

PARTS LIST

Pos.	Part Number	Description	Qty.
1	F872000153	Nut, Jam, M6	1
2	F871234360	Screw, Set, Socket Head, M6 x 30	1
3	F003000030	Knob, Adjusting	1
4	F074200040	Spring, Sleeve	1
5	F871121306	Screw, Cap, Socket Head, M8 x 35	4
6	F062300100	Cover, Valve	1
7	F881010121	O-Ring, 1.737 x .103, Buna-N	1
8	F881030014	Packing, 32 mm, Buna-N	1
9	F031300090	Spacer, Spring, SS AISI 420	1
10	F872110202	Spring, Disc, .323 x .709 x .059	32
11	F025000000	Support, Spring, Steel	1
12	F811900007	Ball, 5/16", Carbon Steel	1
13	F074200030	Piston, SS AISI 420	1
14	F881010008	O-Ring, .739 x .070, Buna-N	1
15	F083200010	Ball, Piston, SS AISI 420	1
16	F872040100	Washer, Lock, M8, Copper	1
17	F871121603	Screw, Cap, Socket Head, M8 x 20, SST	1
18	F881030011	Packing, 25 mm, Buna-N	1
19	F060300030	Body, Valve	1
26	F081200170	Seat, Valve	1
27	F881010117	O-Ring, 1.300 x .103, Buna-N	1
28	F881110104	Washer, 1-1/4", Buna-N on Steel Frame	1
29	F084300010	Nipple, Bypass, Brass OT58	1

Positions Included	N. PCS.	RV2
7, 8, 14, 15, 16, 17, 18 26, 27, 28	1	F627



INSTALLATION

The RV2 valve should be mounted on the pressure line (T joint installation is also allowed by closing the outlet port) in any position, horizontal or vertical, which will allow easy access to the pressure adjusting knob.

The by-pass line should be free from any kind of restriction which may generate back pressures at the valve, it should have an internal diameter of at least 1.5 inches at the narrowest point, and it should not be connected to the pump suction line – see below for correct installation.

The nipple pos. 29 and washer pos. 28 should not be removed from their original position or replaced with other than genuine General Pump replacement parts.

