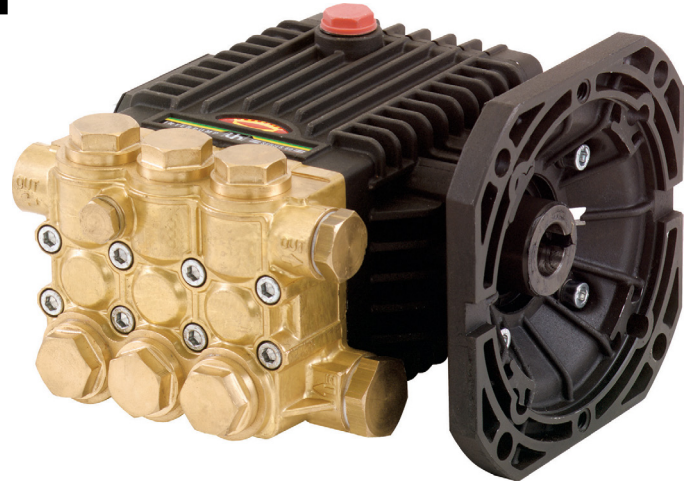


FEATURES

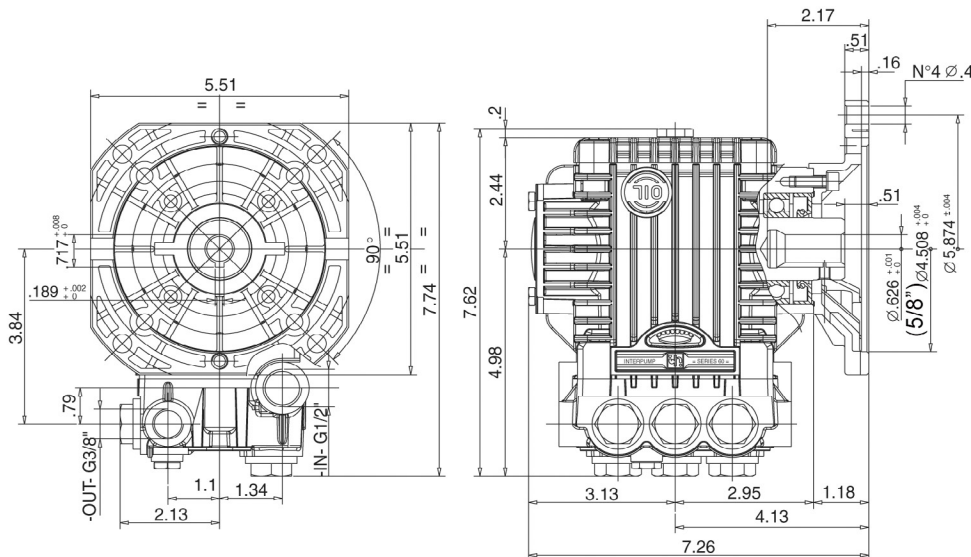
- Compact design
- 5/8" hollow shaft, flanged for direct couple to electric motors (NEMA 56C)
- Oversized bearings for long life
- New generation seal system for longer life
- Forged brass manifold with an exclusive lifetime warranty*

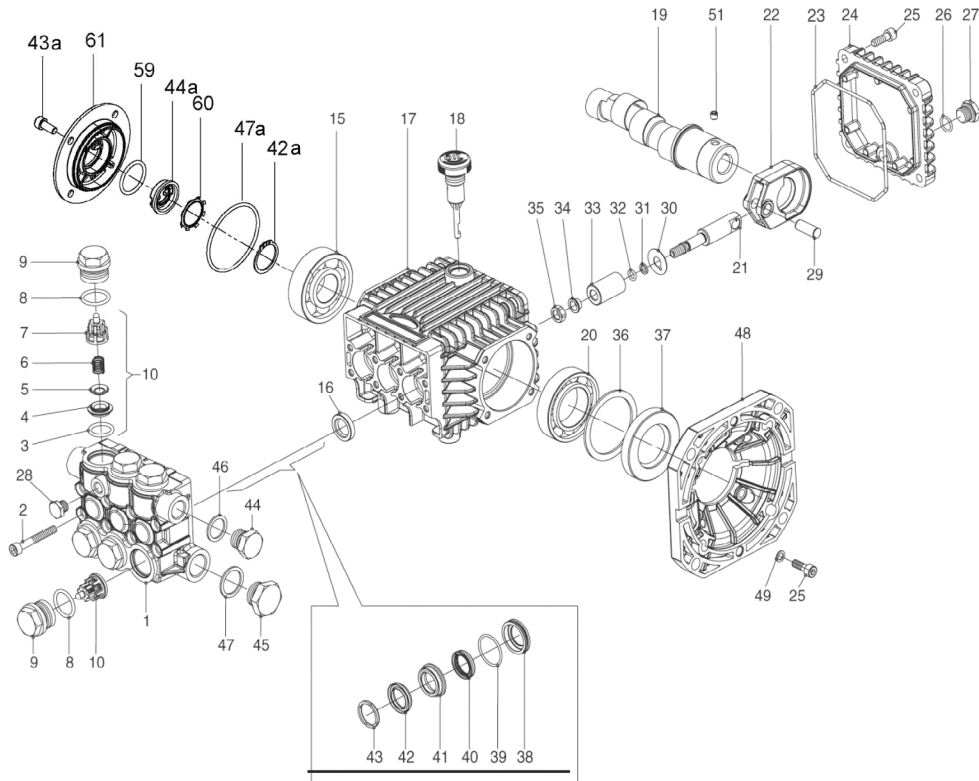


SPECIFICATIONS

Pump Model	TC1502E175	TC1802E175	TC1508E175	TC1509E175	TC1809E175
Maximum Volume	0.25 GPM	0.50 GPM	1.75 GPM	2.1 GPM	3.1 GPM
Maximum Discharge Pressure	2500 PSI	2200 PSI	2500 PSI	2500 PSI	2200 PSI
Horsepower	0.5 EBHP	0.8 EBHP	3.0 EBHP	3.6 EBHP	4.7 EBHP
Maximum Pump Speed	1750 RPM				
Maximum Inlet Pressure	125 PSI				
Minimum Inlet Pressure	3 Ft. Water / 2.6 in. Hg.				
Plunger Bore (in / mm)	.591 in / 15 mm	.709 in / 18 mm	.591 in / 15 mm	.591 in / 15 mm	.709 in / 18 mm
Plunger Stroke (in / mm)	.079 in. / 2.0 mm	.079 in. / 2.0 mm	.315 in / 8.0 mm	.370 in / 9.4 mm	.370 in / 9.4 mm
Oil Capacity	11.8 oz				
Maximum Fluid Temperature	165°F				
Inlet Port Thread	1/2" - 14 BSP-F				
Discharge Port Thread	3/8" - 19 BSP-F				
Shaft Diameter	.626 in / 16 mm				
Weight	15.1 lbs				
Dimensions	7.8" x 7.3" x 5.5"				

DIMENSIONAL DRAWING





PARTS LIST

ITEM	PART NO.	DESCRIPTION	QTY.	ITEM	PART NO.	DESCRIPTION	QTY.
1.	60120041	Manifold, 15 mm	1	23.	90391800	O-ring, Cover	1
	60120141	Manifold, 18 mm	1	24.	60160022	Rear Crankcase Cover	1
2.	99195000	Screw, M6 x 45	8	25.	99186700	Screw, M6 x 18	8
	701115	O-ring	6	26.	701013	O-ring	1
4.	36200366	Valve Seat	6	27.	98204100	Plug, 1/4" G	1
5.	36711501	Valve	6	28.	98196600	Plug, 1/8" G	1
6.	94737600	Spring	6	29.	97733300	Wrist Pin	3
7.	36202551	Valve Cage	6	30.	96707000	Washer	3
8.	701002	O-ring	6	31.	660024	Anti-ext. Ring	3
9.	98221400	Valve Cap	6	32.	90357300	O-ring	3
10.	36711501	Valve Assembly	6	33.	60040009	Ceramic Plunger, 15mm	3
15.	91832800	Ball Bearing	1		60040109	Ceramic Plunger, 18mm	3
16.	710002	Oil Seal	3	34.	44211570	Bushing	3
17.	60010022	Crankcase	1	35.	92221600	Nut, M8	3
18.	98210300	Oil Dip Stick	1	36.	60210189	Spacer	1
19.	60023165	Crankshaft, TC1508E175	1	37.	90167500	Oil Seal	1
	60023465	Crankshaft, TC1509E175,TC1809E175	1	38.	60080070	Packing Retainer,15mm	3
	60028065	Crankshaft, TC1502E175,TC18029E175	1		60080170	Packing Retainer,18mm	3
20.	91846400	Bearing	1	39.	90360400	O-ring	3
21.	60050066	Plunger Guide	3	40.	90260800	Seal, LP, 15mm	3
22.	60030022	Connecting Rod	3		90265000	Seal, LP, 18mm	3
				41.	60216070	Intermediate Ring, 15	3
					60216170	Intermediate Ring, 18	3
				42.	90262000	Seal, HP, 15mm	3
					90268100	Seal, HP, 18mm	3
				42a.	90063500	Stop Ring Ø 25	1
				43.	51100051	Head Ring, 15mm	3
					51100151	Head Ring, 18mm	3
				43a.	99183700	Screw M6x14	4
				44.	98210000	Plug, 3/8"	1
				44a.	53210851	Oil Level Indicator	1
				45.	98217600	Plug, 1/2"	1
				46.	96738000	Gasket, Alum., 3/8"G	1
				47.	96751400	Gasket, Alum., 1/2"G	1
				47a.	90389800	O-ring Ø 56.82x2.62	1
				48.	ZFWWU	Flange	1
				49.	203510	Washer	4
				51.	99179000	Screw, M6	1
				59.	90385900	O-ring Ø 56.82x2.62	1
				60.	90067100	Stop Ring	1
				61.	58150122	Side Cover	1

* 53150001 Oil Level Indicator Assembled W/O Screws and O-ring

REPAIR KITS

KIT NO.	K83	K123	K196 or K197 (15mm) (18mm)	K198 or K199 (15mm) (18mm)	K200 or K225 (15mm) (18mm)	K226 or K227 (15mm) (18mm)
ITEM NO's INCLUDED IN KIT	16	3, 4, 5, 6, 7 (10)	40, 42, 43	41	38, 39	38, 39, 40, 41, 42, 43
NUMBER OF ASSEMBLIES IN KIT	3	6	3	3	3	1
NUMBER OF CYLINDERS KIT WILL SERVICE	3	3	3	3	3	1

TORQUE SPECS*

Pos.	Ft/lb	Nm
2	8.8	12
9	59.0	80
11	7.4	10
25	7.4	10
27	14.7	20
28	9.6	13
35	11.1	15
44	29.5	40
45	29.5	40

* Decrease torque by 20% if threads are lubricated

