

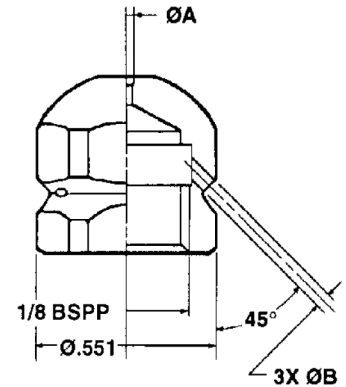
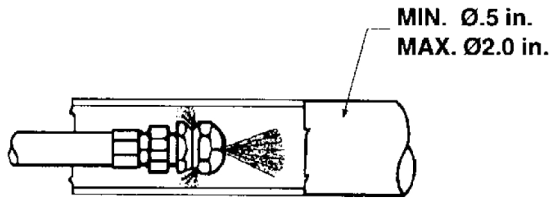
**MICRO-DRAIN CLEANING NOZZLE**

**SPECIFICATION**



Part Number	ZUMDRNT1	ZUMDRNT2
Max Pressure	3,000 PSI	3,000 PSI
Max Volume	4.6 GPM	7.3 GPM
Min Ø of Pipe	.5 in.	.5 in.
Max Ø of Pipe	2.0 in.	2.0 in.
Inlet Thread	1/8-28 BSPP-F	1/8-28 BSPP-F

Part Number	Ø A	Ø B	PSI					
			500	1000	1500	2000	2500	3000
ZUMDRNT1	.028 in.	.035 in.	1.9 GPM	2.7 GPM	3.3 GPM	3.8 GPM	4.3 GPM	4.7 GPM
ZUMDRNT2	.031 in.	.047 in.	3.0 GPM	4.2 GPM	5.2 GPM	6.0 GPM	6.7 GPM	7.3 GPM



**DRAIN CLEANING NOZZLE**

**SPECIFICATION**



Part Number	ZUDRNT
Max Pressure	3,000 PSI
Max Volume	15.8 GPM
Min Ø of Pipe	1.5 in.
Max Ø of Pipe	5.0 in.
Inlet Thread	3/8-BSPP-M

