

The ZRMAX is a high pressure, rotating, zero-degree nozzle. The unique internal design allows aim-and-spray operation, even when cleaning overhead, and permits easy replacement of all wear parts. Sized according to flow rate, a ZRMAX is perfect for your toughest cleaning tanks.

NOZZLES



SPECIFICATIONS

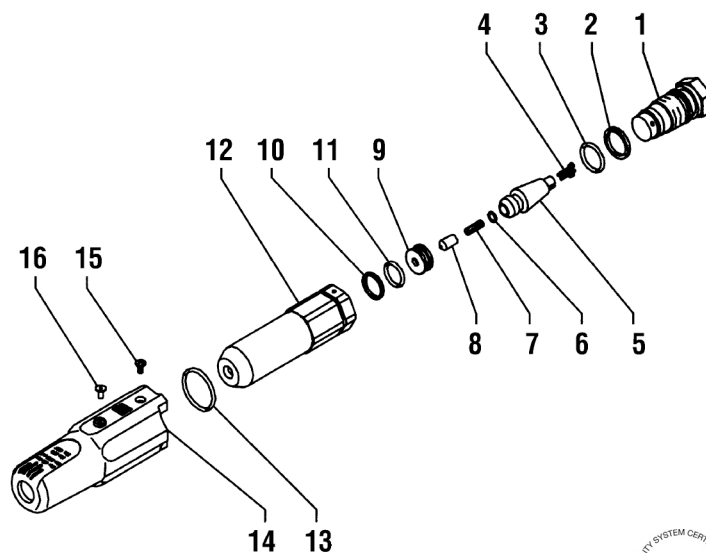
Max Pressure	5,800 PSI
Max Flow	6.6 GPM
Max Temp	176° F
Inlet Port Size	1/4-19 BSPP-F
Dimensions	Ø 1.5" O.D. x 4.1" Long
Weight	0.75 Lb.
Materials	Brass, Plastic, Ceramic, Buna-N

FLOW CHART

		Pressure (PSI)						
		1,450	2,175	2,900	3,625	4,350	5,075	5,800
GPM	ZRMAX581	2.3	2.8	3.3	3.7	4.0	4.4	4.7
	ZRMAX583	3.3	4.0	4.7	5.2	5.7	6.2	6.6

PARTS LIST

No.	Part No.	Description	Qty.
1	10060570	Inlet Nipple, 1/4" - ZRMAX581	1
	10060970	Inlet Nipple, 1/4" - ZRMAX583	1
2*	90508500	Anti-extrusion Ring	1
3*	90359100	O-ring	1
4*	10045351	Valve	1
5	10056402	Rotor	1
6*	90357400	O-ring	1
7	98667400	Nozzle, 140 Red - ZRMAX581	1
	98678000	Nozzle, 160 Black - ZRMAX583	1
8*	10045609	Tip, Rotor	1
9*	10060602	Seat	1
10*	90507500	Anti-extrusion Ring	1
11	90358900	O-ring	1
12	10060470	Body	1
13*	90360200	O-ring	1
14	10060251	Cover, Red	1
15	99070200	Screw	1
16	98190500	Plug, Red - ZRMAX581	1
	98190900	Plug, Black - ZRMAX583	1
*	100834	Repair Kit	



Note: Torque item #4 (end cap) to 15 ft.-lbs

NOZZLES



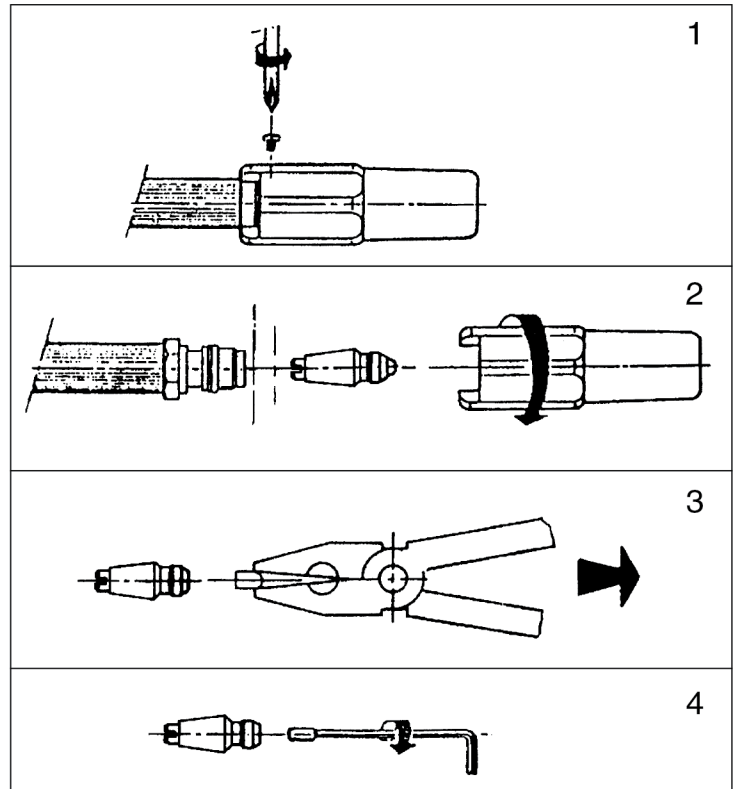
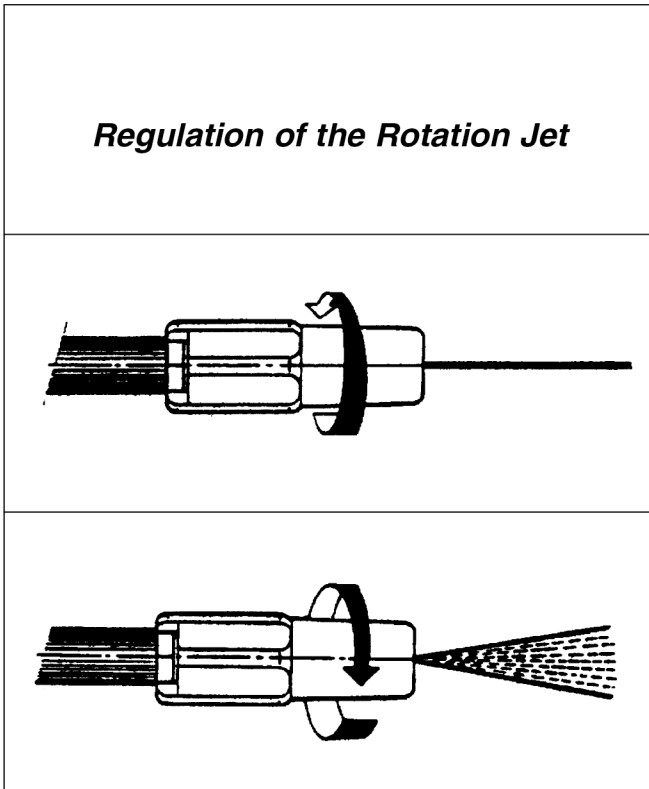
General Pump is a member of the Interpump Group

Ref 300338 Rev. B
01-19



USING THE ZRMAX

CLEANING & CHANGING NOZZLE



IMPORTANT

When installing the ZRMAX, please note:

Do not tighten the ZRMAX by the plastic cover: use a wrench on the hex portion of the inlet nipple (#1 on parts drawing). This will avoid stripping the holding screw on the plastic cover.