



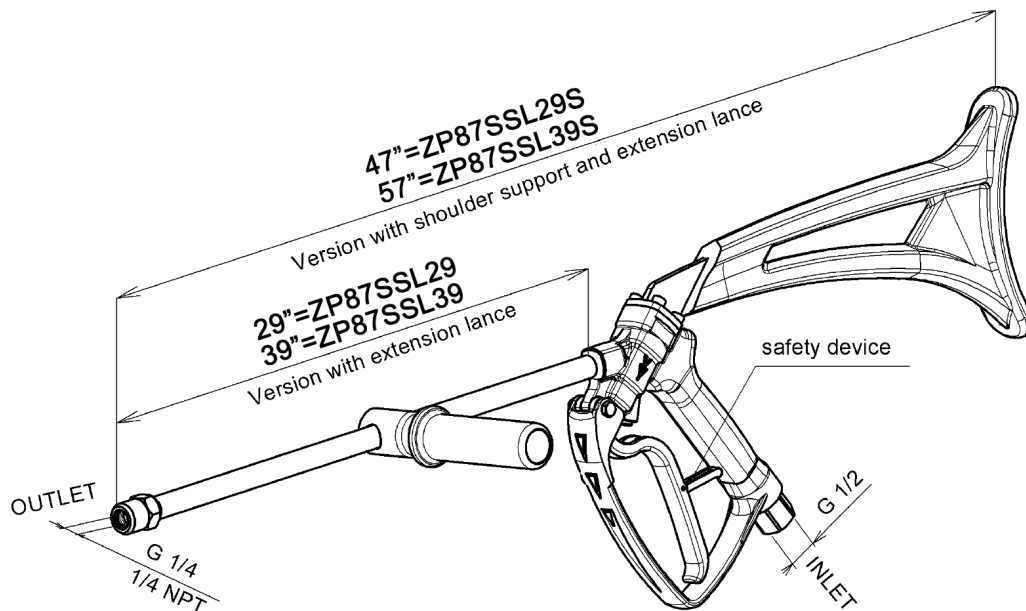
Shown: ZP87SSL39S

- Stainless Steel Professional Gun
- Available with 29" or 39" lance
- Compensating trigger relieves operator fatigue
- Available with or without shoulder support

### SPECIFICATIONS

Part Number	Description	GPM	MAX PSI	Ship Weight
ZP87SS	SS Professional Spray Gun	15.85	8,700 PSI	3.5 lbs.
ZP87SSL29	SS Professional Spray Gun with 29" Lance	15.85	8,700 PSI	4.9 lbs.
ZP87SSL39	SS Professional Spray Gun with 39" Lance	15.85	8,700 PSI	6.1 lbs.
ZP87SSL29S	SS Professional Spray Gun with 29" Lance and Shoulder Support	15.85	8,700 PSI	5.6 lbs.
ZP87SSL39S	SS Professional Spray Gun with 39" Lance and Shoulder Support	15.85	8,700 PSI	7.2 lbs.

### DIMENSIONS



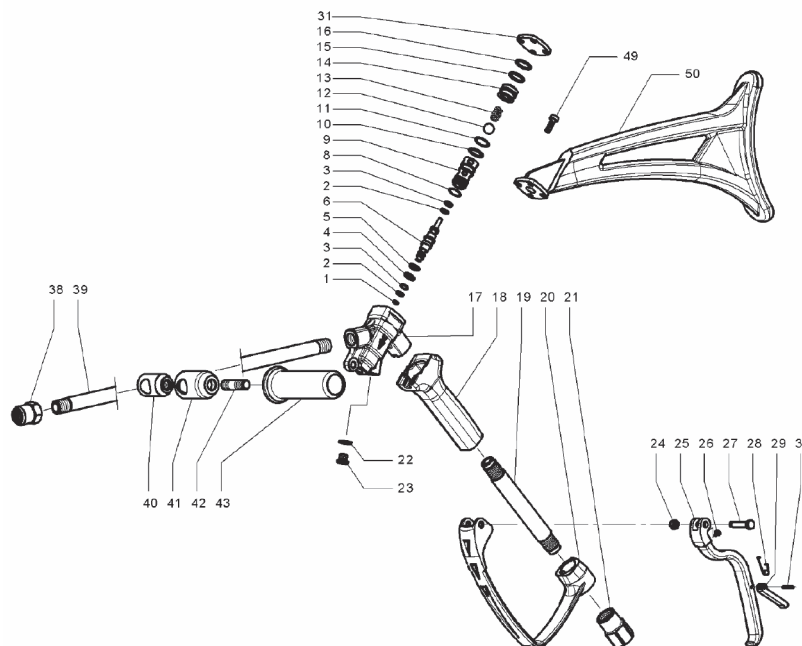
# ZP87SS

**GENERAL PUMP**

A member of the Interpump Group

## Spray Gun / Lance Combination

### PARTS LIST



No.	Part No.	Description	Qty.
1.	90311400	Ring, Ø6.65x1.78	1
2.	90501800	Anti-extrusion Ring, Ø5.7x10.1x1.5	2
3.	90381300	O-ring, Ø5.23x2.32	2
4.	90382100	O-ring, Ø9.19x2.62	1
5.	90505100	Anti-extrusion ring, Ø9.5x13.9x1.5	1
6.	18211666	Control Pin	1
8.	90367600	O-ring, Ø13x2	1
9.	18213366	Ball seat	1
10.	90508400	Anti-extrusion ring, Ø14.7x18.9x1.5	1
11.	90383300	O-ring, Ø13.92x2.62	1
12.	97485000	Ball, Ø1/2"	1
13.	94737700	Spring, Ø 9.5x17.7	1
14.	18213266	Plug	1
15.	90383700	O-ring, Ø15.54x2.62	1
16.	90509500	Anti-extrusion ring, Ø17x20.9x1.5	1
17.	18211236	Body	1
18.	18211902	Handgrip	1
19.	18211891	Tube	1
20.	18212322	Protector	1

21.	18211466	Inlet fitting, G1/2"	1
22.	93178000	Washer with seal, 1/8"	1
23.	98197000	Plug, G 1/8"x8	1
24.	92202400	Nut, M6	1
25.	18212122	Control lever	1
26.	18208264	Thrust Plate	1
27.	18212464	Pin	1
28.	94870500	Torsion spring	1
29.	18212222	Safety Lever	1
30.	97666400	Spring pin	1
31.	18211336	Closing pin	1
38.	10064066	Nipple, 1/4" NPT	1
39.	10065091	Lance, 3/8", 29"	1
	10064291	Lance, 3/8", 39"	1
40.	10063871	Locking handle bushing	1
41.	10063771	Support handle	1
42.	95830000	Stud	1
43.	10063671	Mobile handle	1
49.	99185200	Screw, M6x16	4
50.	18212702	Shoulder support	1

### INSTRUCTIONS

This product is to be used with clean, fresh water. For use involving different or corrosive liquids, contact GP's customer service department. Appropriate filtration should be installed when using unclean liquids. Choose the gun that most closely matches the rated pressure, max flow and max temperature of the pressure wash system. In any case, the pressure of the machine should not exceed the permissible pressure rateimprinted on the gun.

### INSTALLATION

This gun was designed to operate with hot water (in compliance with the technical specs), making sure not to exceed the max temperature. Always fit a safety valve to protect the system when the latter is under pressure. Choose a suitable nozzle and adjust the valve mounted in the front of the gun, thus obtaining a constant supply and avoiding unwanted pressure spikes. If the nozzle wears out, the pressure falls. When you install a new nozzle, adjust the system back to the original pressure.

### OPERATION

The gun opens and closes a high pressure conduct by means of a piston acting on a seat; the return is controlled by a spring which releases the trigger. Attention: during pump activation ALWAYS set the gun with its safety latch connected in order to prevent accidental openings.