



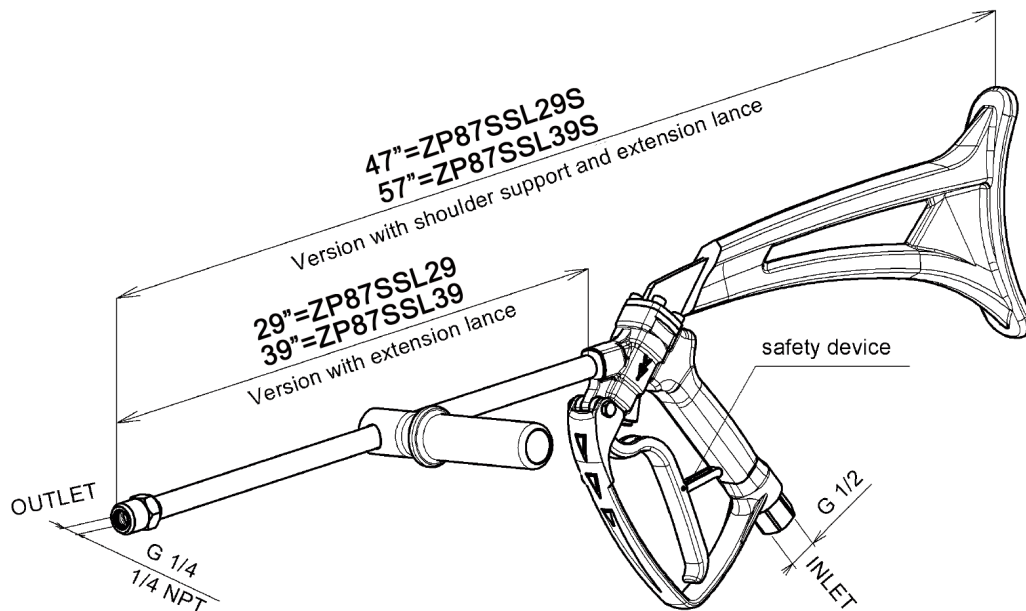
Shown: ZP87SSL39S

- Stainless Steel Professional Gun
- Available with 29" or 39" lance
- Compensating trigger relieves operator fatigue
- Available with or without shoulder support

SPECIFICATIONS

| Part Number | Description | GPM | MAX PSI | Ship Weight |
|-------------|---|-------|-----------|-------------|
| ZP87SS | SS Professional Spray Gun | 15.85 | 8,700 PSI | 3.5 lbs. |
| ZP87SSL29 | SS Professional Spray Gun with 29" Lance | 15.85 | 8,700 PSI | 4.9 lbs. |
| ZP87SSL39 | SS Professional Spray Gun with 39" Lance | 15.85 | 8,700 PSI | 6.1 lbs. |
| ZP87SSL29S | SS Professional Spray Gun with 29" Lance and Shoulder Support | 15.85 | 8,700 PSI | 5.6 lbs. |
| ZP87SSL39S | SS Professional Spray Gun with 39" Lance and Shoulder Support | 15.85 | 8,700 PSI | 7.2 lbs. |

DIMENSIONS



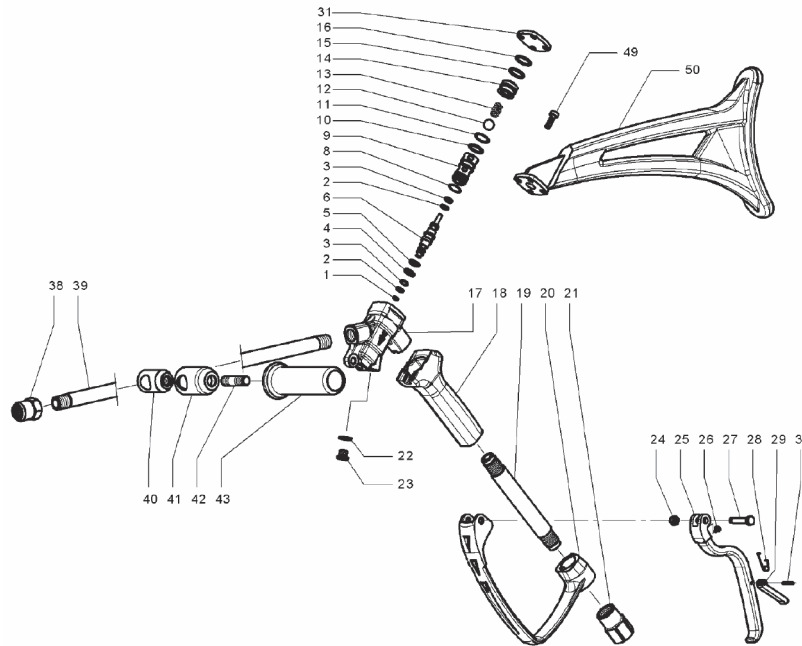
ZP87SS

GENERAL PUMP

A member of the Interpump Group

Spray Gun / Lance Combination

PARTS LIST



| No. | Part No. | Description | Qty. |
|-----|----------|-------------------------------------|------|
| 1. | 90311400 | Ring, Ø6.65x1.78 | 1 |
| 2. | 90501800 | Anti-extrusion Ring, Ø5.7x10.1x1.5 | 2 |
| 3. | 90381300 | O-ring, Ø5.23x2.32 | 2 |
| 4. | 90382100 | O-ring, Ø9.19x2.62 | 1 |
| 5. | 90505100 | Anti-extrusion ring, Ø9.5x13.9x1.5 | 1 |
| 6. | 18211666 | Control Pin | 1 |
| 8. | 90367600 | O-ring, Ø13x2 | 1 |
| 9. | 18213366 | Ball seat | 1 |
| 10. | 90508400 | Anti-extrusion ring, Ø14.7x18.9x1.5 | 1 |
| 11. | 90383300 | O-ring, Ø13.92x2.62 | 1 |
| 12. | 97485000 | Ball, Ø1/2" | 1 |
| 13. | 94737700 | Spring, Ø 9.5x17.7 | 1 |
| 14. | 18213266 | Plug | 1 |
| 15. | 90383700 | O-ring, Ø15.54x2.62 | 1 |
| 16. | 90509500 | Anti-extrusion ring, Ø17x20.9x1.5 | 1 |
| 17. | 18211236 | Body | 1 |
| 18. | 18211902 | Handgrip | 1 |
| 19. | 18211891 | Tube | 1 |
| 20. | 18212322 | Protector | |

| | | | |
|-----|----------|------------------------|---|
| 21. | 18211466 | Inlet fitting, G1/2" | 1 |
| 22. | 93178000 | Washer with seal, 1/8" | 1 |
| 23. | 98197000 | Plug, G 1/8"x8 | 1 |
| 24. | 92202400 | Nut, M6 | 1 |
| 25. | 18212122 | Control lever | 1 |
| 26. | 18208264 | Thrust Plate | 1 |
| 27. | 18212464 | Pin | 1 |
| 28. | 94870500 | Torsion spring | 1 |
| 29. | 18212222 | Safety Lever | 1 |
| 30. | 97666400 | Spring pin | 1 |
| 31. | 18211336 | Closing pin | 1 |
| 38. | 10064066 | Nipple, 1/4" NPT | 1 |
| 39. | 10065091 | Lance, 3/8", 29" | 1 |
| | 10064291 | Lance, 3/8", 39" | 1 |
| 40. | 10063871 | Locking handle bushing | 1 |
| 41. | 10063771 | Support handle | 1 |
| 42. | 95830000 | Stud | 1 |
| 43. | 10063671 | Mobile handle | 1 |
| 49. | 99185200 | Screw, M6x16 | 4 |
| 50. | 18212702 | Shoulder support | 1 |

INSTRUCTIONS

This product is to be used with clean, fresh water. For use involving different or corrosive liquids, contact GP's customer service department. Appropriate filtration should be installed when using unclean liquids. Choose the gun that most closely matches the rated pressure, max flow and max temperature of the pressure wash system. In any case, the pressure of the machine should not exceed the permissible pressure rateimprinted on the gun.

INSTALLATION

This gun was designed to operate with hot water (in compliance with the technical specs), making sure not to exceed the max temperature. Always fit a safety valve to protect the system when the latter is under pressure. Choose a suitable nozzle and adjust the valve mounted in the front of the gun, thus obtaining a constant supply and avoiding unwanted pressure spikes. If the nozzle wears out, the pressure falls. When you install a new nozzle, adjust the system back to the original pressure.

OPERATION

The gun opens and closes a high pressure conduct by means of a piston acting on a seat; the return is controlled by a spring which releases the trigger. Attention: during pump activation ALWAYS set the gun with its safety latch connected in order to prevent accidental openings.