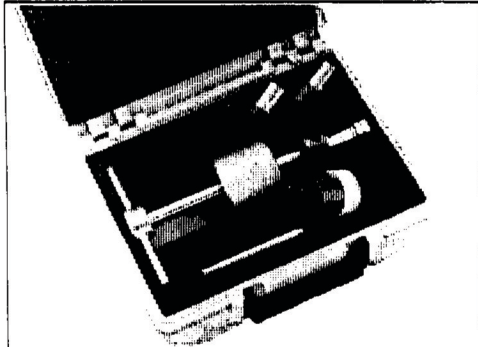


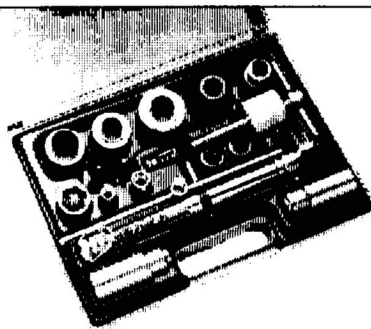
**ZMVT00L  
Packing Insertion Kit**

- Plastic insertion tools for reassembly of packings



**TOOLKITPRI  
Packing Extraction Kit**

- High impact plastic case with foam liner
- Slide hammer with 3 expanding collets for extraction of 20, 22, and 24 mm packing assemblies
- Plastic insertion tools for reassembly of packings

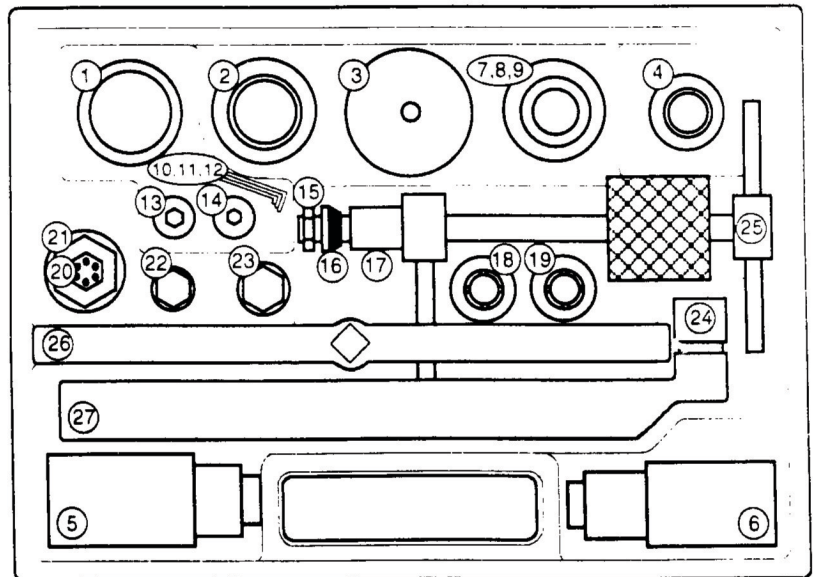


**ZMVALAT  
Complete Tool Kit**

- Packing insertion tool Item #'s 15 - 19, 25
- Packing extraction kit 7 - 9
- Oil seal insertion tools 1 - 6
- Allen wrench 10 - 14
- 1/2" drive sockets 21 - 24
- Braker bar 1/2" drive 26
- Torque Wrench 1/2" drive 27
- Unloader tool for K3, K5 20

**PART NUMBERS**

1.	26.0837.00	Oil Seal Insertion Guide
2.	26.0833.00	Oil Seal Insertion Guide
3.	26.0836.00	Oil Seal Insertion Guide
4.	26.0834.00	Oil Seal Insertion Guide
5.	26.0835.00	Oil Seal Insertion Guide
6.	26.0838.00	Oil Seal Insertion Guide
7.	26.0140.00	Packing Insertion Guide, Ø35mm
8.	26.0832.00	Packing Insertion Guide, Ø30mm
9.	26.1346.00	Packing Insertion Guide, Ø30 and 35mm
10.	26.5022.00	4mm Allen Key
11.	26.5021.00	5mm Allen Key
12.	26.5032.00	6mm Allen Key
13.	26.5023.00	5mm Allen Key with 1/2" Socket
14.	26.5024.00	6mm Allen Key with 1/2" Socket
15.	92.2216.00	Nut
16.	26.1992.00	Cone
17.	26.0934.00	Packing Extraction Socket, 20mm
18.	26.0935.00	Packing Extraction Socket, 22mm
19.	26.0936.00	Packing Extracting Socket, 24mm
(Not Included:		
	26.4074.00	Packing Extracting Socket, 15mm
	27.1249.00	Packing Extracting Socket, 18mm)
20.	26.0982.00	Unloader Tool for K5, K3 Spring Seat
21.	26.5027.00	30mm Hex Wrench with 1/2" Socket
22.	26.5026.00	13mm Hex Wrench with 1/2" Socket
23.	26.5025.00	17mm Hex Wrench with 1/2" Socket
24.	26.5028.00	16mm Hex Wrench with 1/2" Socket
25.	26.0194.00	Packing Extractor Tool
26.	26.5029.00	Braker Bar
27.	26.5030.00	Torque Wrench



**Kit1S Service Video (VHS)**

- 30 minute presentation - "How to Repair a General or Interpump pump"
- Technical catalog