



### SPECIFICATIONS

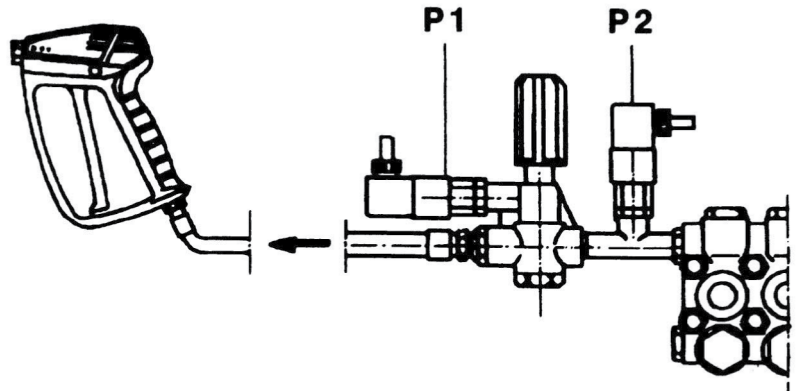
Part Number	ZMSIMPLEX3
Minimum Pressure	725 PSI
Maximum Pressure	3000 PSI
Switching Pressure	435 PSI
Maximum Voltage	250 Volts
Inductive Load	1 Amp
Resistive Load	5 Amp
Standard Configuration	Normally Open
Connection	1/4" BSP-M
Dimensions	1.5" x 1.3" x 1"
Lead Length	One 54" Lead w/ 2 wires
Weight	.4 lb.
Materials	Brass, Plastic

### FEATURES

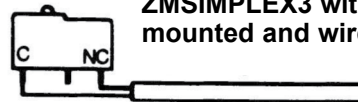
- Used to switch motor starters, burner solenoids and thermostats on discharge side of pump.

### PARTS LIST

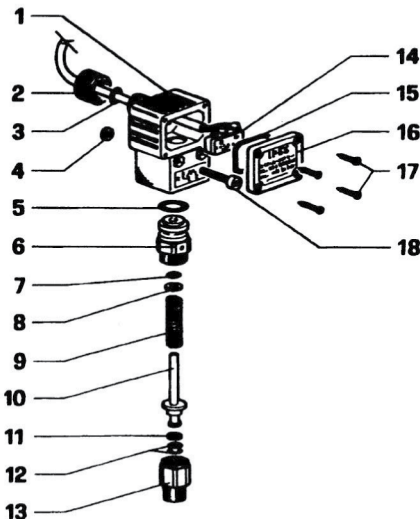
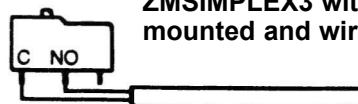
Item	Part Number	Description	Qty
1	10046451	Switch Housing	1
2	92974000	Cord Retainer	1
3	90381400	O-ring	1
4	92192600	Nut	2
5	90382700	O-ring	1
6	10046670	Body	1
7	90357000	O-ring	1
8	96691500	Washer	1
9	94734300	Spring	1
10	10046870	Piston	1
11	90501000	Anti-ext. Ring	1
12	90356800	O-ring	2
13	10046770	Nipple	1
14	10723302	Microswitch-open	1
	10723502	Microswitch-closed	1
15	90360200	O-ring	1
16	10046551	Cover	1
17	99034400	Screw	4
18	99132000	Screw	2



**P1 - POSITION 1**  
ZMSIMPLEX3 with NC microswitch,  
mounted and wired normally closed.



**P2 - POSITION 2**  
ZMSIMPLEX3 with NO microswitch,  
mounted and wired normally open.



**!!!WARNING!!!**  
THIS PRODUCT MUST BE INSTALLED BY A  
QUALIFIED ELECTRICIAN TO AVOID RISK OF  
**SHOCK OR ELECTROCUTION**



General Pump  
is a member of  
the Interpump Group

