



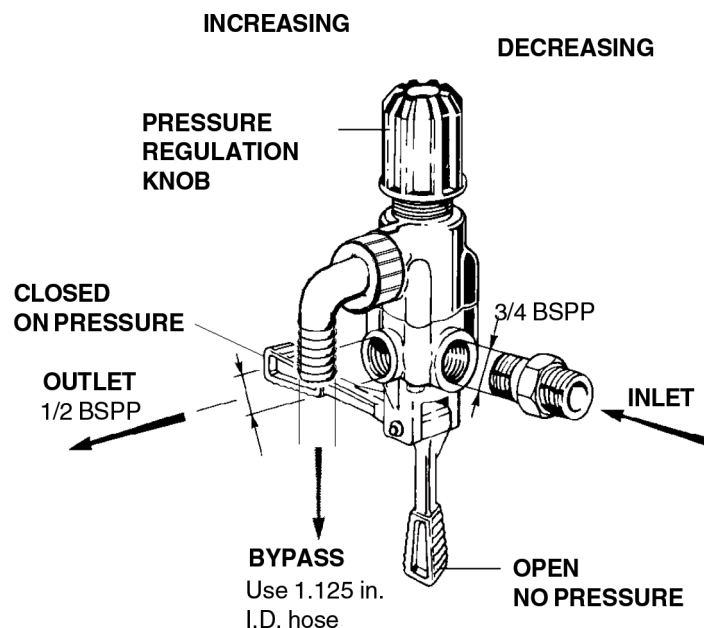
*General Pump recommends using a safety relief device in conjunction with this regulating valve when installed on a positive displacement pump. General Pump is not liable and assumes no responsibility when used in a customer's high pressure system.*

**SPECIFICATIONS**

Part Number	ZKITMAX	
Max Volume	0-53 GPM	
Max Pressure	0-900 PSI	
Max Temp	165° F	
Port Size	Inlet	3/4-14 BSPP-F
	Outlet (3)	1/2-14 BSPP-F
	Bypass	1-11 BSPP-F
	Hose barb	Use 1.125" I.D. Hose
Weight	3.7 lbs	
Dimensions	2.4" x 2.4" x 7.5"	

**FEATURES**

- Brass and Stainless Steel construction
- Foot-operated lever for total-bypass
- Adjustable pressure control knob
- Optional bypass fitting available

**DIAGRAM**

General Pump  
is a member of  
the Interpump Group



#### PARTS LIST

No.	Part No.	Description	Qty.
1	36002251	Regulating Knob	1
2	36001941	Upper Body - Brass	1
3*	90387700	O-ring	1
4	99197000	Screw	4
5	96693800	Washer	4
6	98217600	Cap	2
7	36001841	Lower Body - Brass	1
8	36002122	Lever	1
9	95715600	Lever Axle	1
10	90050900	Retaining Ring	2
11	95301000	Nipple	1
12*	90385900	O-ring	1
13	36002370	Spring Guide	1
14	94740600	Spring	1
15	94750400	Spring	1
16	92222000	Nut	1
17	96701000	Washer	1
18*	36002409	Valve	1
19*	90357800	O-ring	1
20	96775000	Washer	1
21*	36002556	Valve Seat	1
22*	90386300	O-ring	1
23	36002041	Shutter Rod	1
24*	90260500	Packing	1
26	94732300	Spring	1
27	36002970	Journal	1
28	96409500	Connector (optional)	1
29	90405500	O-ring (optional)	1
30	95279500	Outlet nipple (optional)	1
31	92991000	Nut (optional)	1
*	Kit51	Repair Kit	

