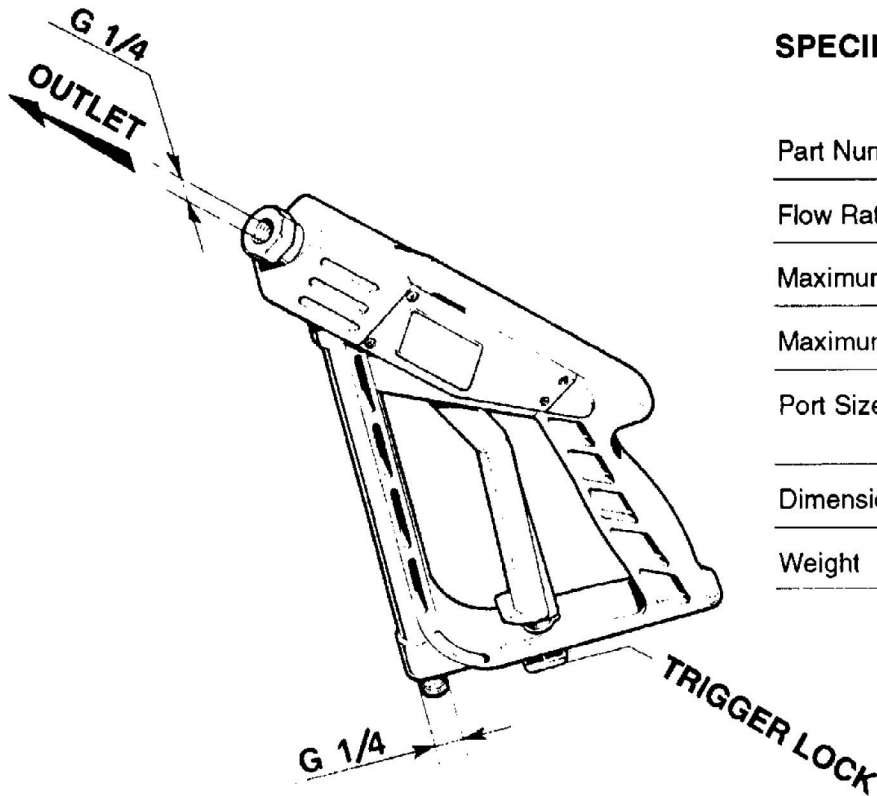


PIMATIC SPRAY GUN



SPECIFICATIONS

Part Number	ZGPIM
Flow Rate	10.6 GPM
Maximum Pressure	3000 PSI
Maximum Temperature	284° F
Port Sizes: Inlet	1/4-19 BSPP-M
Outlet	1/4-19 BSPP-F
Dimensions	6 x 10.75 x 1.25 in.
Weight	1.7 lb.

PARTS LIST

ZGPIM: PIMATIC SPRAY GUN

No.	Part Number	Description	Qty.
1.	90.3841.00	O-Ring, .681 x .103	1
2.	18.2059.02	Seat, Valve	1
3.	18.2044.02	Rod, Control	1
4.	94.7378.00	Spring	1
5.	18.2042.70	Guide, Spring	1
6.	90.3568.00	O-Ring, .384 x .070	2
7.	90.5007.00	Ring, Back-up	1
8.	94.7383.00	Spring	1
9.	18.2031.51	Cover, Gun	1
10.	18.2032.51	Lever, Control	1
11.	99.0656.00	Screw, Self-Tapping	5
12.	94.7380.00	Spring	1
13.	18.2038.70	Pin	1
14.	92.1926.00	Nut, M4	2
15.	96.6860.00	Washer, M4.5	1
16.	97.6153.00	Pin, Taper	1
17.	18.2036.51	Pin, Lock, Green	1
18.	90.0569.00	Cir-Clip	1
19.	18.2030.02	Body, Gun, Black	1

