

Flange/Coupler

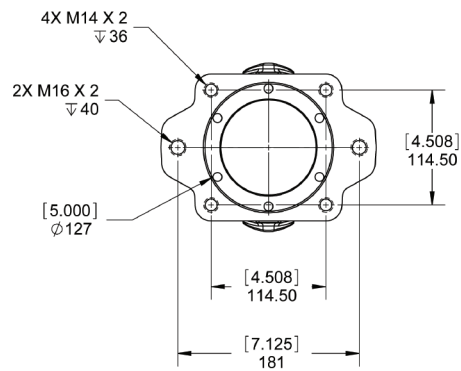
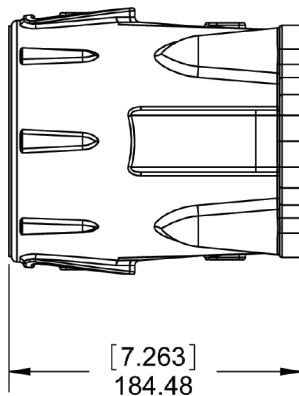
For 71 & 72 Series Pumps

FEATURES

- Heavy-duty cast aluminum flange
- Black anodized to resist corrosion
- Heavy-duty steel coupler
- Quiet, low maintenance drive system
- Compact design
- Easy to assemble with all required hardware included (except motor mounts)
- Fits all KF, HF, VF and KS pumps without gear reducer



DIMENSIONS



ZFH71SCSAE-C 2 and 4 BOLT PATTERN

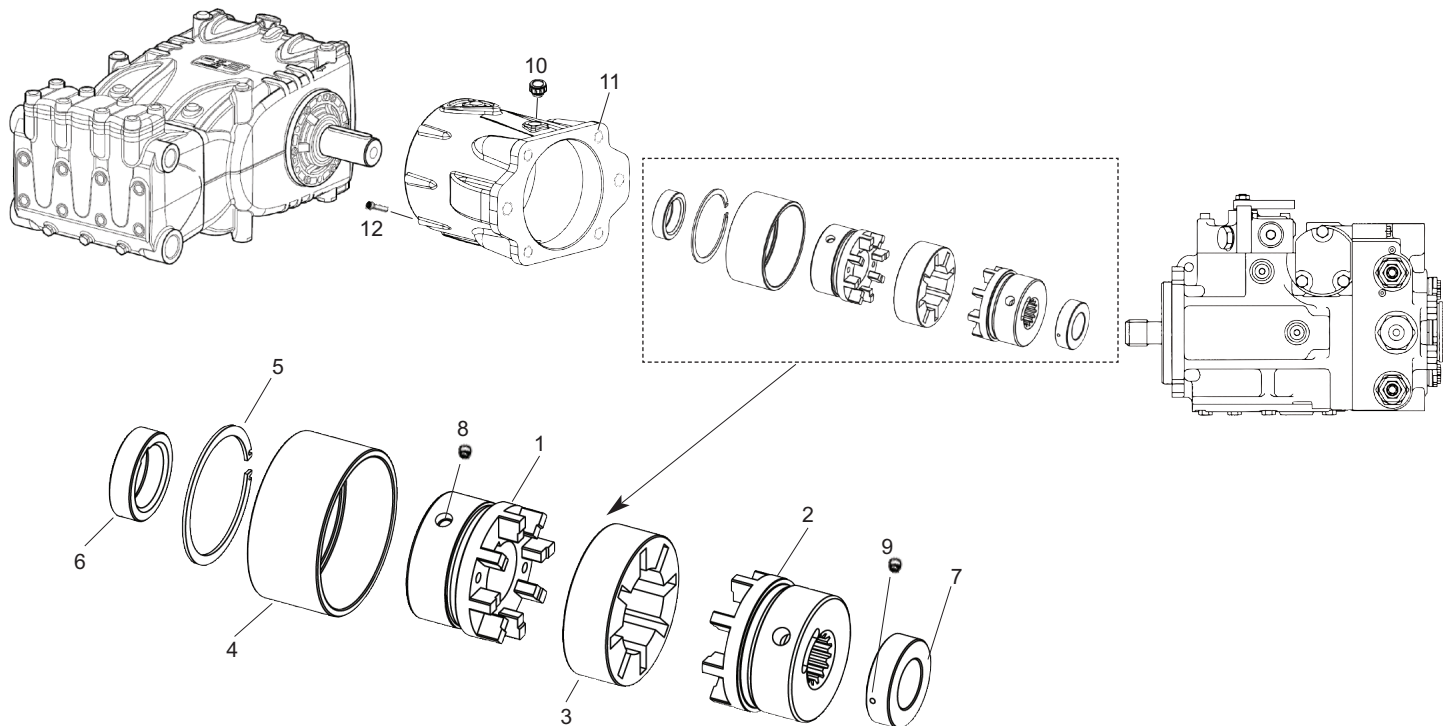
To be used with these GP Couplers:

- ZGH71SCBSAE-C-1-1/4" Parallel.....40 mm Pump Hub and 1-1/4" Motor Hub, Blue Insert, 46 HP Max
- ZGH71SCTSAE-C-1-1/4" Parallel.....40 mm Pump Hub and 1-1/4" Motor Hub, Black Insert, 46 HP+
- ZGH71SCR.....SAE-C-1-1/4" Parallel.....40 mm Pump Hub and 1-1/4" Motor Hub, Red Insert, 25 HP Max
- ZGH71SC14TB.....SAE-C-14T 12/24DP40 mm Pump Hub and Splined 14 Tooth 12/24 Motor Hub, Blue Insert, 46 HP Max
- ZGH71SC14TTSAE-C-14T 12/24DP40 mm Pump Hub and Splined 14 Tooth 12/24 Motor Hub, Black Insert, 46 HP+
- ZGH71SC14TR.....SAE-C-14T 12/24DP40 mm Pump Hub and Splined 14 Tooth 12/24 Motor Hub, Red Insert, 25 HP Max

Flange/Coupler

For 71 & 72 Series Pumps

PARTS LIST



Pos.	Part Number	Description	Qty
1	530058	Modified QF25 x 40 mm Shaft Coupler	1
2	530052	QF Spine Shaft Coupler	1
	530055	QF25, 1-1/4" Keyed	1
3	530054	QF25 Coupler Insert - Blue	1
	530056	QF25 Coupler Insert, Black	1
	530057	QF25 Coupler Insert, Red	1
4	530053	QF25 High Speed Coupler Cover	1
5	530061	Snap Ring, QF25 Coupler	1
6	510436	Spacer, 40 mm Shaft	1
7	510437	Spacer, Spline Shaft	1
	510438	Spacer, 1-1/4" Straight Shaft	1
8	202044	Set Screw (provided with couplers)	3
9	202045	Set Screw (provided with 510437)	2
10	660264	Plastic Plug (provided with ZFH71SC)	2
11	ZFH71SC	Flange	1
12	99314600	Bolt, M8 x 50 (provided with ZFH71SC)	6

TORQUE SPECS*

Pos.	Ft/lb	N-M
8	24.17	33
9	5	6.77
12	29.5	40

* Apply Locktite 243 Threadlocker or 248 Threadlocker Stick.