



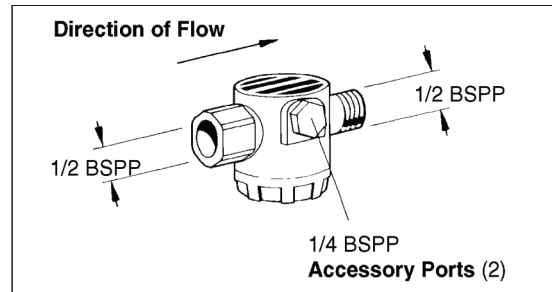
FEATURES

- Low-pressure in-line filter
- Rigid construction
- Stainless Steel mesh filter
- Die cast aluminum (anodized) housing and plastic cap
- No tools required for cleaning
- Ports for bypass hose and gauge

SPECIFICATIONS

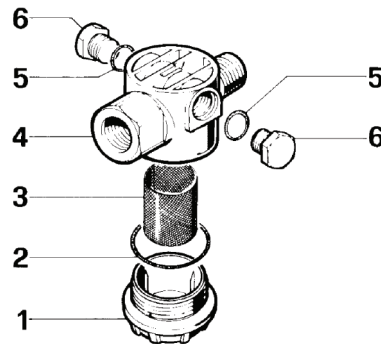
Part Number	ZMFIL
Maximum Volume	5.8 GPM
Maximum Pressure	145 PSI
Temperature	176°F
Port Sizes: Inlet	1/2-14 BSP-F
Outlet (to pump)	1/2-14 BSP-M
Accessory (2)	1/4-19 BSP-F
Filter Opening	40 mesh - 0.15"
Micron Filter Rating	350 micron
Dimensions	2.25" x 3.25"
Weight	.4 lb.
Material	Aluminum, Brass, Plastic, Buna-N

INSTALLATION



PARTS LIST

No.	Part No.	Description	Qty.
1	10016651	Cap	1
2	90387100	O-ring, 1.362 x .103	1
3	10016776	Filter	1
4	10016522	Body	1
5	90358500	O-ring, .426 x .070	2
6	98204100	Plug	2




CHEMICAL FILTER

Features rigid construction, plastic housing and mesh filter, brass hose barb fitting. No tool required for cleaning. Available with or without stainless steel check.



SPECIFICATIONS

Part Number	ZF1, w/o check valve, Red ZF2, with check valve, Green
Dimensions	1" x 3.25"
Hose Barb Size	Use 1/4" I.D. Hose
Material	Plastic, Brass Viton, Stainless Steel

 General Pump is a member of the Interpump Group

Ref 300113 Rev D
11-09

