

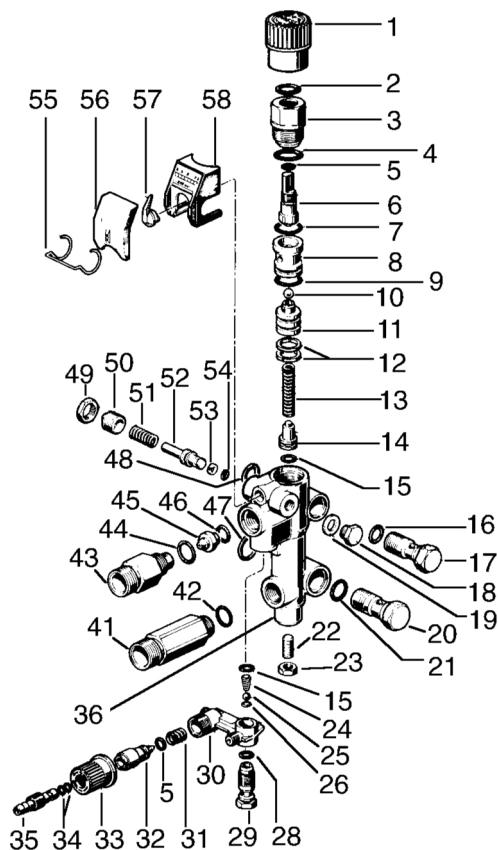


## SPECIFICATIONS

Part Number	ZOKR1
Maximum Volume	2.1 GPM
Maximum Discharge Pressure	1000 PSI
Maximum Temperature	165° F
Port Size	Inlet: 1/2" NPT-M Outlet: M22 x 1.5
Dimensions	7.0" x 4.0" x 3.0"
Weight	2 lb.
Materials	Brass, Plastic, Stainless Steel Buna-N

*General Pump recommends using a safety relief device in conjunction with this unloader valve when installed on a positive displacement pump. General Pump is not liable and assumes no responsibility when used in a customer's high pressure system.*

## Parts List



No.	Part No.	Description	QTY.	No.	Part No.	Description	QTY.
1	36258351	Knob, Adjusting	1	33	36256551	Knob, Adjusting	1
2*	90383500	O-Ring, .594 x .103	1	34†	90357000	O-Ring, .176 x .070	2
3	36255670	Screw, Pressure Adjusting	1	35	36256670	Hose Barb	1
4*	90384700	O-Ring, .797 x .103	1	36	36258241	Body Valve	1
5†	90358000	O-Ring, .344 x .070	2	41	36258470	Nipple, Inlet, 1/2 NPT	1
6	36257402	Piston, Unloader	1	42*	90359100	O-Ring, .551 x .070	1
7*	90359800	O-Ring, .801 x .070	1	43	10031870	Nipple, Outlet, 3/8 NPT	1
8*	36255466	Seat, Valve	1	44†	90383200	O-Ring, .549 x .103	1
9*	90359600	O-Ring, .739 x .070	1	45	10030751	Nozzle, .071	1
10*	97480200	Ball, 9/32"	1	46†	90382200	O-Ring, .391 x .103	1
11	36257270	Piston, .089	1	47	90383900	O-Ring, .625 x .103	1*
12*	90508000	Ring, Back-up	1	48	90383300	O-Ring, .549 x .103	1*
13*	94734400	Spring, .295 x 1.575	1	49	92249200	Nut, Jam, M14	1
14	36255270	Support, Spring	1	50	36258070	Screw, Adjusting, M14	1
15*†	90358200	O-Ring, .364 x .070	2	51	94733800	Spring, .283 x .709	1
16*	90382000	O-Ring, .359 x .103	1	52	36257970	Piston, Gauge	1
17	36256770	Fitting, Banjo, 3/8-19 BSPP	1	53	90500700	Ring, Back-up	1*
18	98196600	Plug, Hex Head, 1/8-28 BSPP	1	54	90356800	O-Ring, .145 x .070	1*
19	96710000	Washer, .394 x .551 x .059	1	55	94871800	Clip, Spring	1
20	36256870	Fitting, Banjo, 3/8-19 BSPP	1	56	36257751	Cover, Gauge	1
21*	90382700	O-Ring, .469 x .103	1	57	36257851	Needle, Gauge	1
22	99305400	Screw, Set, Socket Headless, M8 x 20	1	58	36258601	Face, Gauge	1
23	92221800	Nut, M8	1	†	K94	Repair Kit Control Set	
24†	94821700	Spring, .169 x .287 x .433	1	*	K95	Repair Kit, KR Unloader	
25†	97478200	Ball, 7/32"	1				
26†	90357200	O-Ring, .208 x .070	1				
28†	90358500	O-Ring, .426 x .070	1				
29	36256370	Seat, Valve	1				
30	36256251	Body, Chemical Injector	1				
31†	94738300	Spring, .384 x .394	1				
32	36256470	Needle, Valve	1				