

GENERAL PUMP *A member of the Interpump Group*

Z0BRUSHKIT
Rotating Brush Kit and Soap



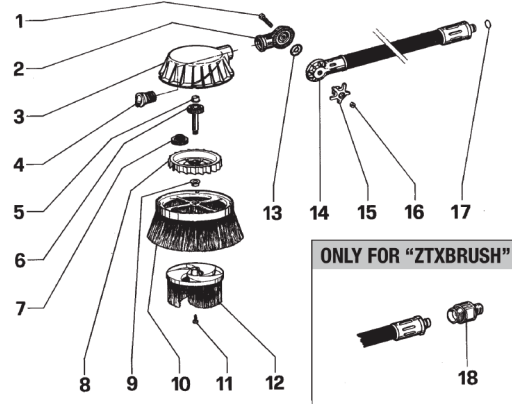
FEATURES

- Rotating brush
- Adjustable brush angle
- Polypropylene brush bristles
- Rustproof construction
- Shampoo soap is ideal for cleaning vehicles

SPECIFICATIONS

Part Number	Z0BRUSHKIT
Maximum Pressure	145 PSI
Minimum Volume	2.11 GPM
Maximum Volume	3.96 GPM
Maximum Temperature	176°F
Length	30.7"
Weight	1.45 lb.
Material	Plastic, Polypropylene, Stainless Steel, Viton

Part Number	Z0SOAP
	Twenty, 2" Shampoo soap sticks per pack

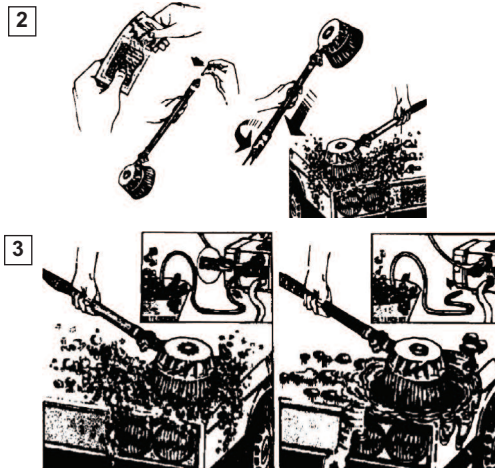
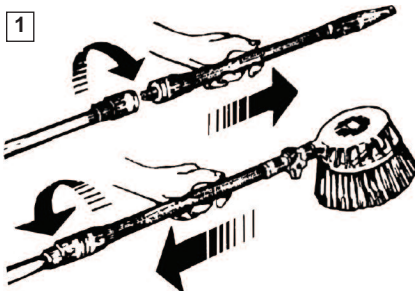


PARTS LIST

No.	Part No.	Description	Qty.	No.	Part No.	Description	Qty.
1	99194500	Screw	1	10	19000602	Outer Brush	1
2	19000151	Coupling Half	1	11	99084000	Screw	1
3	19001202	Cover	1	12	19001002	Inner Brush	1
4	19001151	Nozzle	1	13	19001347	Gasket	1
5	19001893	Bushing	1	14	19700801	Brush Handle	1
6	19001602	Spindle	1	15	19000851	Knob	1
7	19001551	Small Gear	1	16	92201800	Nut	1
8	19001451	Large Gear	1	17	90382000	O-ring	1
9	19001751	Bushing	1				

INSTALLATION

- 1) Install the brush by turning the connector and pulling the two halves apart. Put brush on lance and tighten the connector.
- 2) If using soap sticks, insert soap stick into end of the brush and tighten the connector.
- 3) The rotating brush can also be used with or without the built-in chemical injector.



General Pump
is a member of
the Interpump
Group

Ref 300117 Rev B
11-09

