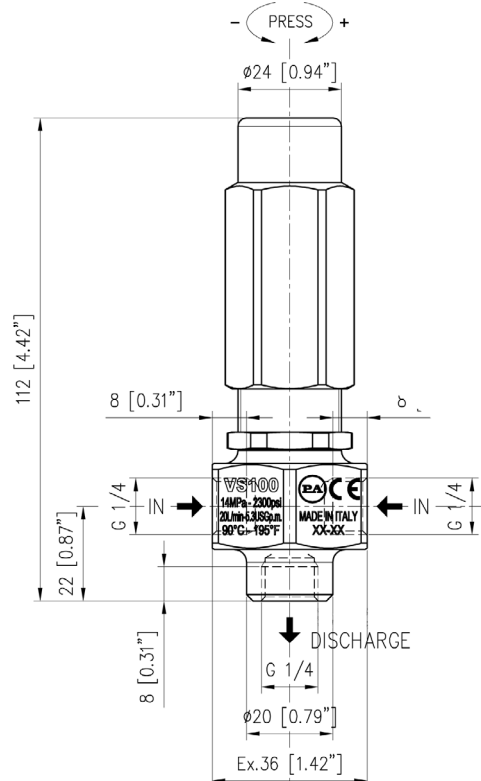


**FEATURES**

- Strong construction in 316 Stainless Steel
- High performance in compact design
- New Teflon back-up ring for longer life and smooth operation
- Adjustable lock-nut to control maximum pressure
- Allows for easy maintenance

**SPECIFICATIONS**

Part Number	YVS23SS
Max Pressure	2,300 PSI
Max Flow	5.3 GPM
Max Temperature	195° F
Port Size Inlet:	1/4" BSP-F
Outlet:	1/4" BSP-F
Weight	1.0 lbs.
Materials	316 Stainless Steel, Buna-N

**DIMENSIONS**

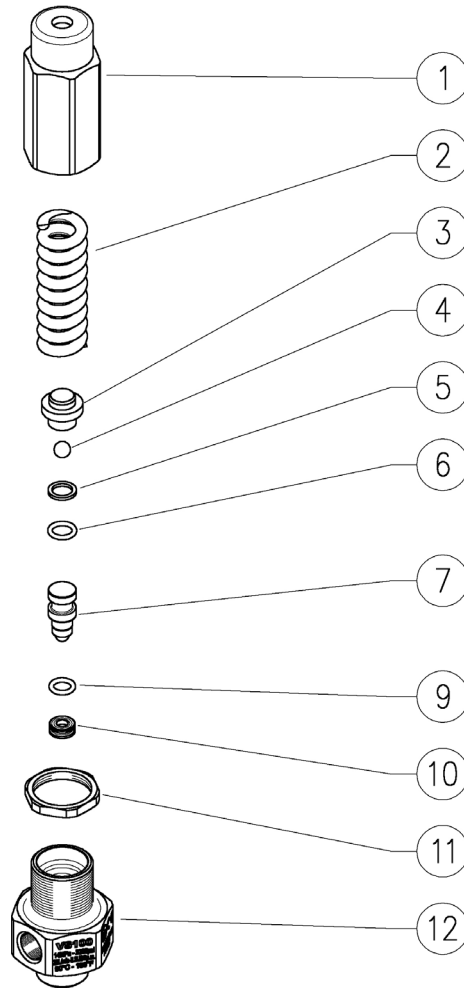
# YVS23SS

Regulating Valve

**GENERAL PUMP**

*A member of the Interpump Group*

## PARTS LIST



Item	Part Number	Description	Qty
1.	Y60047531	Valve regulating knob, M24 Brass	1
2.	Y60047751	Spring, 4.5x14.9x60 mm, SST	1
3.	Y60047451	Ball holding piston, SST	1
4.	Y14742150	Ball, 1/4", SST	1
5.	Y10400800	Back-up ring, open, 8x11x1.2 mm	1
6.	Y10305510	O-ring, 1.78x7.66 mm, Vi70	1
7.	Y60047821	Piston, Ai316 SS, + ball	1
9.	Y10305210	O-ring, 1.78x6.76 mm, Vi	1
10.	Y60047260	Seat, 4.2 mm Ai316	1
11.	Y60047631	Ring nut, M24x1.25, brass	1
12.	Y60047160	Housing, 1/4 BSP-F, Ai316 SST	1