



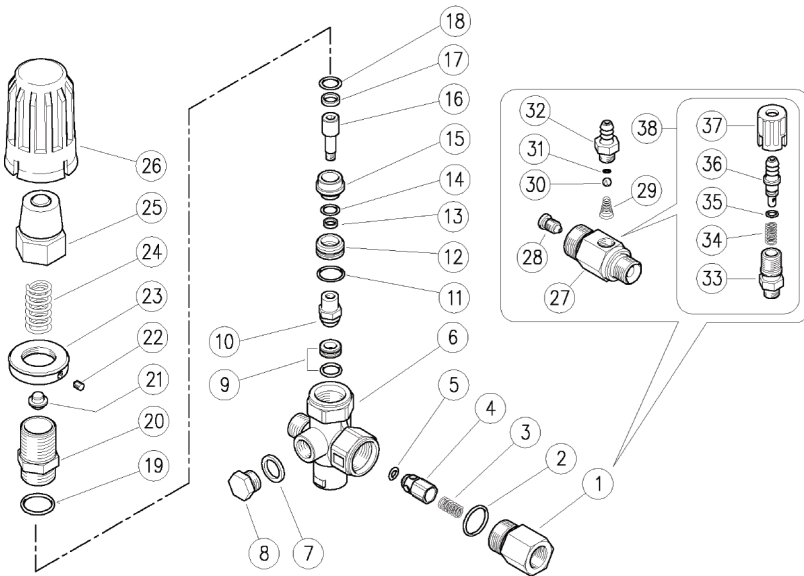
FEATURES

- Sturdy steel and brass construction
- Adjustable locknut to control max pressure
- Easy maintenance
- Hexagonal discharge check valve to prevent jamming

PARTS LIST

SPECIFICATIONS

Part Number	YVB5K
Maximum Flow	8.0 GPM
Maximum Discharge Pressure	3650 PSI
Maximum Temperature	195 °F
Port Sizes:	
Inlet	3/8" BSP-M
Outlet	3/8" BSP-F
Bypass	3/8" BSP-F
Dimensions	5.29" x 3.4" x 2.3"
Shipping Weight	1.2 lbs.
Materials	Brass, Stainless Steel, Plastic



Item	Part Number	Description	Kit	Qty
1	Y60005831	Delivery Coupl., 3/8 BSP-F		1
2	Y10307002	O-ring, 1.78 x 18.77	*	1
3	Y60005351	Spring, 0.7x9x20		1
4	Y60005231	Shutter Pin, Brass		1
5	Y10321300	O-ring, 3x6mm	*	1
6	Y60130535	Housing		1
7	Y14391100	Washer, 15.5x19x1.5		1
8	Y28001331	Plug, Brass 1.4" BSP		1
9	Y60130620	Seat	*	1
10	Y60131121	Shutter Pin	*	1
11	Y10306401	O-ring, 1.78x14mm	*	1
12	Y60130131	Spacer Ring		1
13	Y10400792	Back-up Ring	*	1
14	Y10305600	O-ring, 1.78x8.74mm	*	1
15	Y60130331	Spacer Ring		1
16	Y60130751	Piston		1
17	Y10401113	Back-up Ring, 11x13x2	*	1
18	Y10306000	O-ring, 1.78x12.42mm	*	1
19	Y10306801	O-ring, 1.78x17.7mm	*	1
20	Y60130831	Piston Holder, Brass		1
21	Y60131331	Spring Guide Pin		1
22	Y16210000	Set Screw		1
23	Y60131231	Ring Nut		1
24	Y60131561	Spring, 3.4x13.8x38mm		1
25	Y60130431	Valve Regulating Insert		1
26	60120284	Valve Regulating Knob		1
27	Y21026131	Injector Housing		1
28	Y21021351	Nozzle		1
29	Y21016051	Tapered Spring, SST		1
30	Y14742001	Ball, SST		1
31	Y10304900	O-ring, 1.78x5.28mm		1
32	Y21000331	Hose Barb		1
33	Y21017331	Coupling		1
34	Y21015851	Spring, 0.8x7x15mm		1
35	Y10304301	O-ring, 1.78x4.48mm		1
36	Y21015531	Hose Barb		1
37	Y21017184	Injector Knob		1
38	Y21010000	Regulator & Hose Barb		1
*	Y60131624	Repair Kit		



General Pump is a member of the Interpump Group.



APPLICATION

This product is to be used with clean, fresh water. For different or corrosive liquids, contact **GP Companies Inc.** technical support department. Appropriate filtration should be installed when used with liquids containing any solids. Select the proper unloader valve based on the nominal operating rating: system rated pressure, max flow and max temperature. **Under no circumstances should the pressure of the system exceed the maximum rated pressure of any component.**

INSTALLATION

When installed on hot water cleaners, this valve is to be installed **before** the boiler. Installing safety devices which limit the accidental increase of the fluid temperature is required.

Always install a safety valve (pop-off) to protect the operator and system.

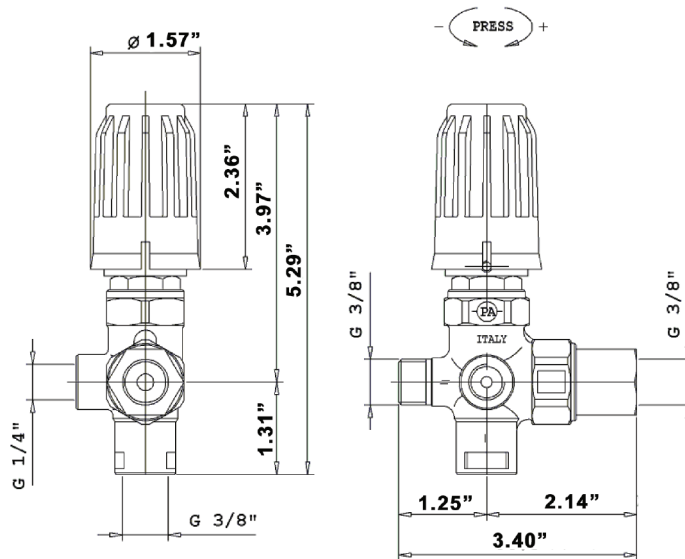
Choose the correct nozzle size, able to discharge regularly, on bypass, at least 5% of the total flow of the system in order to achieve a constant pressure, and avoid troublesome pressure spikes.

When the nozzle wears, the pressure drops. After installing a new nozzle, re-adjust the system to the original pressure setting.

TROUBLESHOOTING

PROBLEMS	PROBABLE CAUSES	SOLUTIONS
Unloader cycles	<ul style="list-style-type: none"> Damaged seat or cone Fitting leaking Restricted bypass 	<ul style="list-style-type: none"> Replace Check and renew Clean or adapt
Unloader does not come up to pressure	<ul style="list-style-type: none"> Unloader not properly sized Foreign materials between seat and shutter Piston o-ring worn out Nozzle worn out 	<ul style="list-style-type: none"> Select a proper spring or a new unloader Clean the seat Replace Replace
Pressure spikes	<ul style="list-style-type: none"> Spring totally compressed Excessive flow in bypass There is not a min. 5% of total flow in bypass 	<ul style="list-style-type: none"> Loosen and change nozzle size Select another unloader Adjust size of piping Adjust
Unloader does not bypass at low pressure	<ul style="list-style-type: none"> Check valve jammed Check valve o-ring worn out Foreign materials on check valve 	<ul style="list-style-type: none"> Clean or replace Replace Clean

DIMENSIONAL DRAWING



Ref 300684 Rev. A
09-09