

GENERAL PUMP *A member of the Interpump Group*

YU4050KDM

Direct Mount Pressure Trapping Unloader



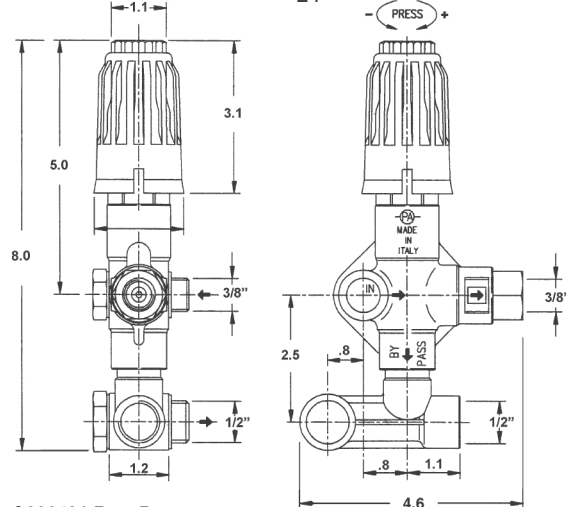
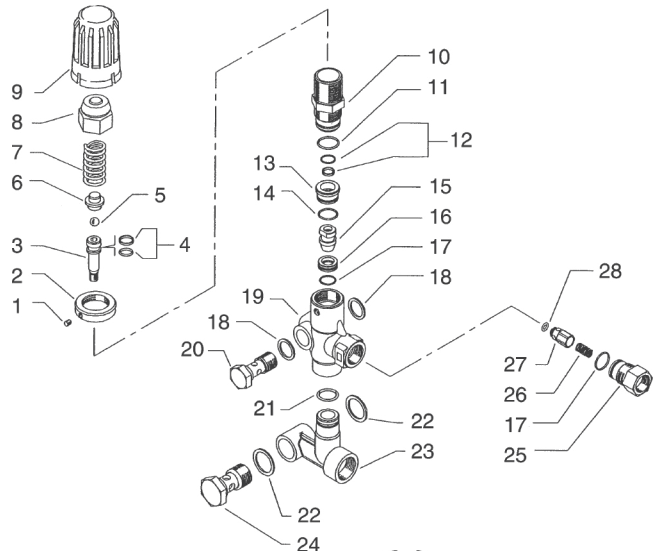
SPECIFICATIONS

Part Number	YU4050KDM	
Operating Pressure	4050 PSI	
Max Pressure	4500 PSI	
Max Flow	10.5 GPM	
Max Temp	195° F	
Banjo Size	Inlet:	1/2" BSP-F
	Outlet:	3/8" BSP-F
Port Size	Inlet:	1/2" BSP-F
	Outlet:	3/8" BSP-F
Dimensions	8" x 4.6" x 1.7"	
Weight	0.86 lbs	
Material	Brass, Stainless Steel, Plastic, Buna-N	

General Pump recommends using a safety relief device in conjunction with this unloader valve when installed on a positive displacement pump. General Pump is not liable and assumes no responsibility when used in a customer's high pressure system.

PARTS LIST AND DIMENSIONS

No.	Part No.	Description	Qty.
1	Y16210000	Set Screw, M4 x 4 mm	1
2	Y60172831	Lock Nut	1
3	Y60180651	Piston, M8	1
4*	Y60097824	Seal Set, YU4050	1
5*	Y14744310	Ball, 11/32", SS	1
6	Y60181331	Spring Guide	1
7	Y60097561	Spring, 4.2 mm	1
8	Y60172731	Brass Cap	1
9	Y60172684	Knob	1
10	Y60097331	Piston Housing	1
11*	Y10307201	O-Ring, 1.78 x 20.35 mm	1
12*	Y60097924	Piston Valve Seal Set	1
13	Y60181031	Spacer	1
14*	Y10306801	O-Ring, 1.78 x 17.17 mm	1
15*	Y60180851	Shutter, M8	1
16*	Y60180951	Seat	1
17*	Y10306601	O-Ring, 1.78 x 15.6 mm	2
18	Y14410000	Washer, 3/8"	2
19	Y60097135	Valve Body	1
20	Y60100731	Banjo Bolt, 3/8" BSP	1
21	Y10318150	O-Ring, 2.62 xz 17.2 mm	1
22	Y14410100	Washer, 1/2"	2
23	Y60096135	Manifold, 1/2" BSP, Brass	1
24	Y60100831	Banjo Bolt, 1/2" BSP	1
25	Y60181131	Nipple, 3/8" BSP-F	1
26	Y6005351	Spring	1
27	Y60005251	Check Valve, SS	1
28	Y10321308	O-Ring, 3 x 6 mm	1
*	YKITU2158	Repair Kit	



Ref 300491 Rev. B
09-18

