

**GENERAL PUMP** *A member of the Interpump Group*

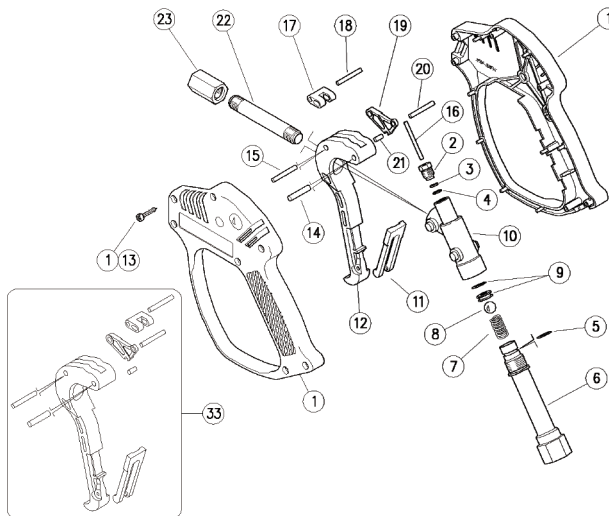
# YRL55L

## Rear Inlet Spray Gun with Lance



### SPECIFICATIONS

|                     |  |            |
|---------------------|--|------------|
| Part Number         | YRL55L   |            |
| Maximum Volume      | 7.8 GPM  |            |
| Rated Pressure      | 5100 PSI                                       |            |
| Maximum Pressure    | 5650 PSI                                       |            |
| Maximum Temperature | 320°F  |            |
| Port Sizes:         | Inlet  | 3/8" BSP-F |
|                     | Outlet   | 1/4" BSP-F |
| Dimensions          | 1.25" x 8" x 52"                               |            |
| Weight              | 3.2 lb.  |            |
| Material            | Brass, Stainless Steel, Plastic, Buna-N, Viton |            |



### Parts List

| No. | Part No.  | Description                          | Kit | Qty. | No. | Part No.   | Description              | Kit | Qty. |
|-----|-----------|--------------------------------------|-----|------|-----|------------|--------------------------|-----|------|
| 1.  | Y40000751 | Nozzle Holder, 1/4" BSP-Fx1/4" NPT-F |     | 1    | 17. | Y30410535  | Valve Body               |     | 1    |
| 2.  | Y40000884 | Nozzle Guard                         |     | 1    | 18. | Y10305901  | O-ring, .437x.070        | *   | 1    |
| 3.  | Y30411351 | Pin                                  |     | 1    | 19. | Y30201251  | Seat, .236x.177          | *   | 1    |
| 4.  | Y30410481 | Cam Linkage                          |     | 1    | 20. | Y14744310  | Ball, SS, 11/32          | *   | 1    |
| 5.  | Y30411251 | Pin                                  |     | 2    | 21. | Y30410851  | Spring, .059x.945        |     | 1    |
| 6.  | Y30410951 | Piston                               | *   | 1    | 22. | Y30410384  | Trigger                  |     | 1    |
| 7.  | Y30411451 | Pin                                  |     | 1    | 23. | Y16223000  | Screw, M10x8             |     | 2    |
| 8.  | Y16307700 | Screw, M3.5x18 mm                    | †   | 7    | 24. | Y30455384  | Plug, Handle             |     | 2    |
| 9.  | Y30450284 | Left Plastic Housing                 | †   | 1    | 25. | Y40030441  | Handle Connectors, Lance |     | 2    |
| 10. | Y30450184 | Right Plastic Housing                | †   | 1    | 26. | Y30455284  | Left Handle, Plastic     |     | 2    |
| 11. | Y30411531 | Plug, M10                            |     | 1    | 27. | Y16307700  | Screw, 3.5x18            |     | 19   |
| 12. | Y10401800 | Back-up Ring, .126v.295x.047         | *   | 1    | 28. | Y30455184  | Right Handle, Plastic    |     | 2    |
| 13. | Y10316500 | O-ring, .112x.103                    | *   | 1    | 29. | Y30455556  | Lance, 1/4" BSP-M        |     | 1    |
| 14. | Y10306001 | O-ring, .489x.070                    | *   | 1    | 30. | Y30455484  | Adapter                  |     | 1    |
| 15. | Y30410631 | Inlet Tube, 3/8" BSP-F               |     | 1    | *   | YKITG55    | Repair Kit               |     |      |
| 16. | Y30151084 | Safety Latch                         |     | 1    | †   | Y304556214 | Housing Kit              |     |      |



General Pump  
is a member of  
the Interpump Group

**GENERAL PUMP** 1174 Northland Drive • Mendota Heights, MN 55120  
Phone: 651.686.2199 • Fax: 800.535.1745 • e-mail: sales@gpcompanies.com • www.generalpump.com

300067 Rev. B  
11-09

