

FEATURES

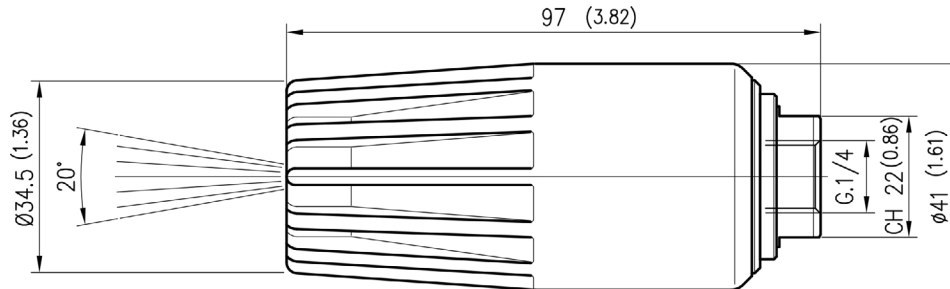
- Strong brass structure
- Highly shock resistant ceramic seat and nozzle
- Oversized bearings for long life
- Can be used in any position



SPECIFICATIONS

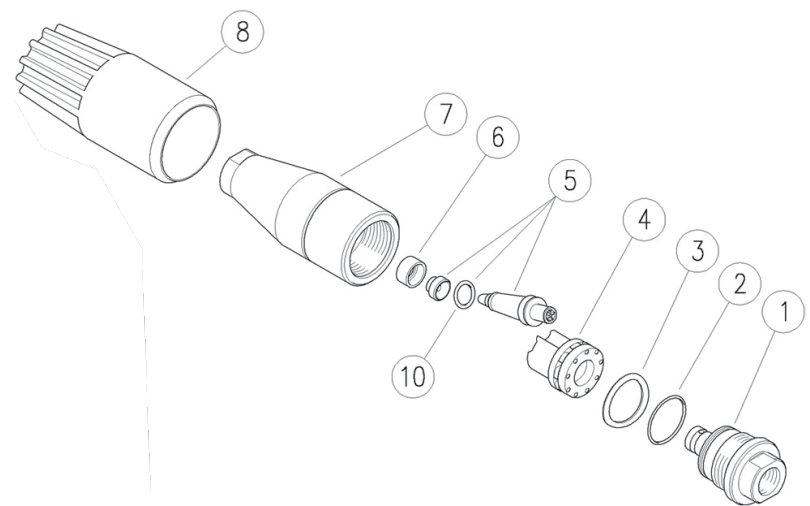
Part Number	YR51K30	YR51K35	YR51K40	YR51K45	YR51K50	YR51K55	YR51K60	YR51K65	YR51K70	YR51K80
Size	3.0	3.5	4.0	4.5	5.0	5.5	6.0	6.5	7.0	8.0
Inlet	1/4" BSP-F	1/4" NPT-F					1/4" BSP-F			
Minimum Pressure	2600 PSI									
Maximum Pressure	5100 PSI									
Maximum Temperature	212° F									
Weight	0.9 lbs									

DIMENSIONS



PARTS LIST

No.	Part No.	Description	Qty.
1	Y25163431	Coupling, 1/4" BSP-F, YR51K30	1
1	Y25164531	Coupling, 1/4" NPT-F, YR51K35	1
1	Y25163631	Coupling, 1/4" NPT-F, YR51K40	1
1	Y25164631	Coupling, 1/4" NPT-F, YR51K45	1
1	Y25164731	Coupling, 1/4" NPT-F, YR51K50	1
1	Y25166131	Coupling, 1/4" NPT-F, YR51K55	1
1	Y25169531	Coupling, 1/4" BSP-F, YR51K60	1
1	Y25169231	Coupling, 1/4" BSP-F, YR51K65	1
1	Y25169331	Coupling, 1/4" BSP-F, YR51K70	1
1	Y25169431	Coupling, 1/4" BSP-F, YR51K80	1
2	Y10307201	O-ring, 1.78 x 20.35, Ni 85	1
3	Y25162663	Washer, 14.8 x 23 x 0.1 mm, Sst.	1
4	Y25163122	Turbine	1
5	Y25165924	Spares Kit, YR51K30	1
5	Y25166024	Spares Kit, YR51K35	1
5	Y25163324	Spares Kit, YR51K40	1
5	Y25163724	Spares Kit, YR51K45	1
5	Y25163824	Spares Kit, YR51K50	1
5	Y25166824	Spares Kit, YR51K55	1
5	Y25163924	Spares Kit, YR51K60	1
5	Y25164024	Spares Kit, YR51K65	1
5	Y25164124	Spares Kit, YR51K70	1
5	Y25166924	Spares Kit, YR51K80	1
6	Y25162485	Seal, 7.2 x 12 x 6	1
7	Y25162231	Housing	1
8	Y25169185	Knob, red	1
10	Y10323000	O-ring, 3.53 x 7.52	2



General Pump
is a member of
the Interpump Group

Ref 300641 Rev. F
08-21