

FEATURES

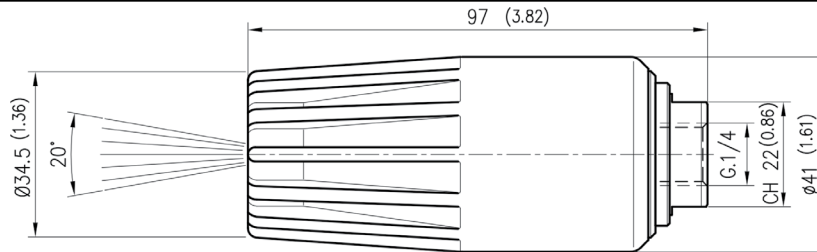
- Strong brass structure
- Highly shock resistant ceramic seat and nozzle
- Oversized bearings for long life
- Can be used in any position



SPECIFICATIONS

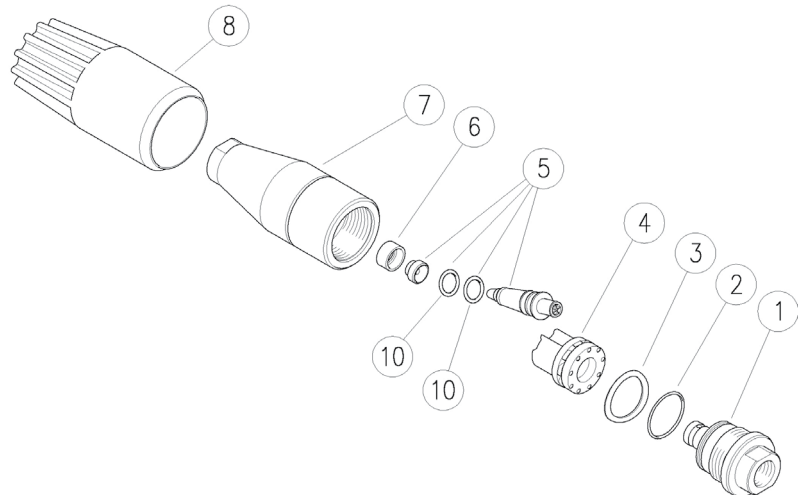
Part Number	YR36K30	YR36K35	YR36K40	YR36K45	YR36K50	YR36K55	YR36K60	YR36K65	YR36K70	YR36K80
Size	3.0	3.5	4.0	4.5	5.0	5.5	6.0	6.5	7.0	8.0
Inlet	1/4" BSP-F			1/4" NPT-F				1/4" BSP-F		
Minimum Pressure	1150 PSI									
Maximum Pressure	3650 PSI									
Maximum Temperature	212° F									
Weight	0.9 lbs									

DIMENSIONS



PARTS LIST

Item	Part No.	Description	QTY.
1	Y25166231	Coupling, 1/4" BSP-F, YR36K30	1
1	Y25163231	Coupling, 1/4" BSP-F, YR36K35	1
1	Y25163431	Coupling, 1/4" NPT-F, YR36K40	1
1	Y25164531	Coupling, 1/4" NPT-F, YR36K45	1
1	Y25163631	Coupling, 1/4" NPT-F, YR36K50	1
1	Y25164631	Coupling, 1/4" NPT-F, YR36K55	1
1	Y25163631	Coupling, 1/4" NPT-F, YR36K60	1
1	Y25164631	Coupling, 1/4" NPT-F, YR36K65	1
1	Y25164731	Coupling, 1/4" BSP-F, YR36K70	1
1	Y25166131	Coupling, 1/4" BSP-F, YR36K80	1
2	Y10307201	O-ring, 1.78 x 20.35, Ni 85	1
3	Y25162663	Washer, 14.8 x 23 x 0.1 mm, Sst.	1
4	Y25163122	Turbine	1
5	Y25165924	Spares Kit, YR36K30	1
5	Y25166024	Spares Kit, YR36K35	1
5	Y25163324	Spares Kit, YR36K40	1
5	Y25163724	Spares Kit, YR36K45	1
5	Y25163824	Spares Kit, YR36K50	1
5	Y25166824	Spares Kit, YR36K55	1
5	Y25163924	Spares Kit, YR36K60	1
5	Y25164024	Spares Kit, YR36K65	1
5	Y25164124	Spares Kit, YR36K70	1
5	Y25166924	Spares Kit, YR36K80	1
6	Y25162485	Seal, 7.2 x 12 x 6	1
7	Y25162231	Housing	1
8	Y25162185	Knob, blue	1
10	Y10323000	O-ring, 3.53 x 7.52	2



General Pump
is a member of
the Interpump Group

Ref 300642 Rev. F
08-21

