

YPRESSWITCH

Pressure Switch

May be wired normally open or normally closed.



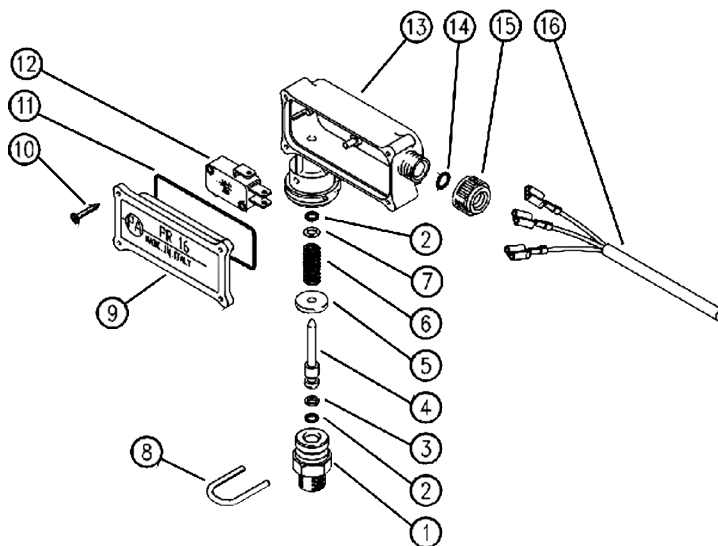
SPECIFICATIONS

Part Number	YPRESSWITCH
Max Pressure	5,000 PSI
Activation Pressure	580 PSI
Max Temperature	194° F
Max Voltage	250 Volts
Maximum Amps Resistive Load	16 Amps
Connection	1/4" NPT-M
Dimensions	3.3" x 3.6" x 1.3" w/ 45" Cord
Weight	.66 lbs
Materials	Stainless Steel, Brass Buna-N, Plastic

*Not rated for inductive loads, May not be used for starting motors; will not handle start-up current.

PARTS LIST

No.	Part No.	Description	Qty.
1	Y29004651	Nipple, 1/4 NPT, SST	1
2*	Y10303800	O-ring, 1.78 x 3.68	2
3*	Y10400200	Back-up Ring, 4.2 x 7 mm	1
4	Y29004331	Brass Piston	1
5	Y29008631	Washer, 4 x 16 x 2.5 mm	1
6	Y29008461	Spring	1
7	Y14351900	Washer, 4 x 8 x 0.5 mm	1
8	Y29008751	Clip, SST	1
9	Y29004284	Cover	1
10	Y16302000	Screw, 2.5 x 12 mm	4
11*	Y10321042	O-ring, 2.62 x 42.52 mm	1
12	Y15500100	Microswitch, 16A 250V	1
13	Y29004184	Plastic Body	1
14*	Y10310992	O-ring, 2.4 x 7.3	1
15	Y29010984	Nut	1
16	Y12500000	Cable	1
*	Y29004824	Repair Kit	1



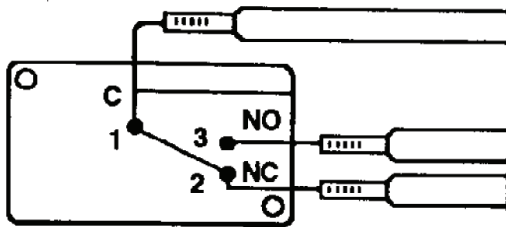
General Pump
is a member of
the Interpump Group



Ref 300404 Rev. E
11-21



SWITCH SCHEMATIC



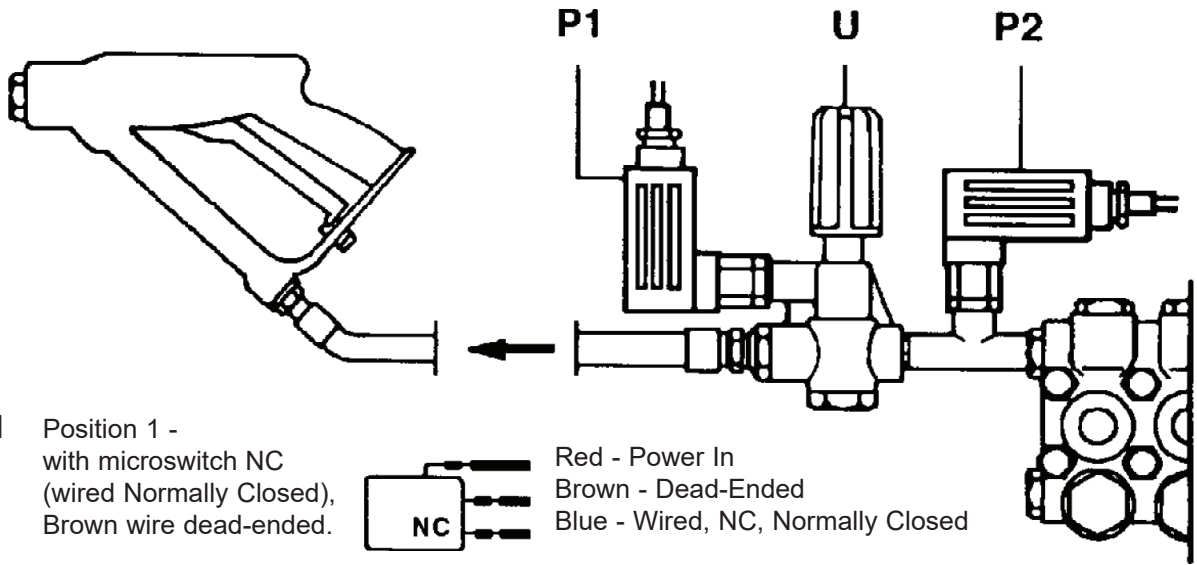
Red - Power In

Brown - Switch Normally Open

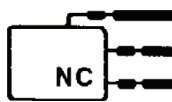
Blue - Switch Normally Closed

Microswitch - Supplied with threads for an open or closed pressure switch. Choose which way switch is to be used and dead end the lead that is not in use. Above switch is wired normally closed with the brown wire to be dead-ended.

ASSEMBLY SCHEMATIC

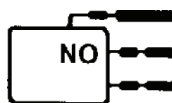


P1 Position 1 -
with microswitch NC
(wired Normally Closed),
Brown wire dead-ended.



Red - Power In
Brown - Dead-Ended
Blue - Wired, NC, Normally Closed

P2 Position 2 -
with microswitch NO
(wired Normally Open),
Blue wire dead-ended.



Red - Power In
Brown - Wired NO, Normally Open
Blue - Dead-Ended

U Trapped Pressure Unloader

!!! WARNING !!!
THIS PRODUCT MUST BE INSTALLED BY
A QUALIFIED ELECTRICIAN TO AVOID
RISK OF SHOCK OR ELECTROCUTION.