

GENERAL PUMP *A member of the Interpump Group*

YLS Foamers

Foamer with Built-In Injector

FEATURES

- Comfortable Impact Resistant Housing
- Forged Brass Body with Stainless Steel Diffuser
- Adjustable Injector
- Available With or Without Tank (YLS12/YLS12T)

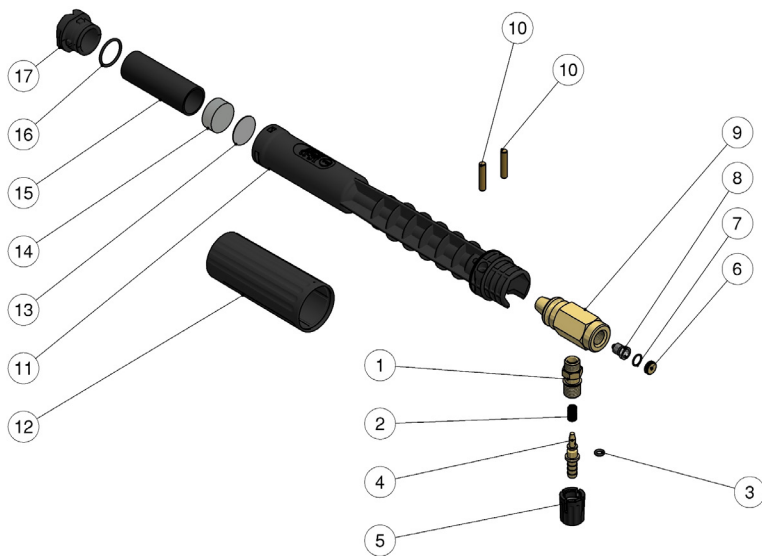


SPECIFICATIONS

| Part Number | YLS12 | YLS12T | YLS31T |
|----------------------------|--|------------------|---------------------|
| Maximum Volume | 6.5 GPM | | 3.2 GPM |
| Maximum Discharge Pressure | 3200 PSI | | 2600 PSI |
| Maximum Fluid Temperature | 140 °F | | |
| Inlet Port Thread | G 1/4-F | | 1/4" |
| Tank Capacity | n/a | 1 Liter | |
| Injector Size | n/a | 1.5 mm | 1.25 mm |
| Weight | .8 lbs | 1.25 lbs | 1.2 lbs |
| Dimensions | 12"x1.6"x3" | 12.5"x3.5"x10.5" | 12.9" x 3.3" x 6.7" |
| Materials | Stainless Steel, Brass, Viton, Plastic | | |

PARTS LIST

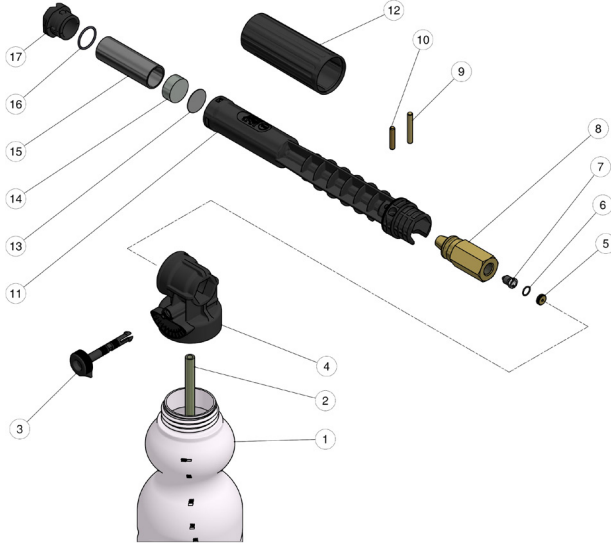
YLS12



| Item | Part Number | Description | Qty |
|------|-------------|-----------------------------|-----|
| 1 | Y21017331 | Coupling, M12 x 1-1/4 BSP-M | 1 |
| 2 | Y21015851 | Spring | 1 |
| 3 | Y10304301 | O-ring, 1.78 x 4.48mm | 1 |
| 4 | Y21015599 | Hose Barb | 1 |
| 5 | Y21017184 | Injector Knob. 1/4 BSP-F | 1 |
| 6 | Y25008531 | Nozzle Insert | 1 |
| 7 | Y10300300 | O-ring, 1 x 8 mm | 1 |
| 8 | Y21000751 | Nozzle, M8 x 1 | 1 |
| 9 | Y25180331 | Injector Housing | 1 |
| 10 | Y30050931 | Parallel Pin | 1 |
| 11 | Y25180185 | Lance Housing | 1 |
| 12 | Y25180584 | Knob | 1 |
| 13 | Y29080253 | Diaphragm | 1 |
| 14 | Y25180651 | Pressed Strainer | 1 |
| 15 | Y25183185 | Spacer | 1 |
| 16 | Y10307210 | O-ring, 1.78 x 20.35 | 1 |
| 17 | Y25180285 | Front Nozzle | 1 |

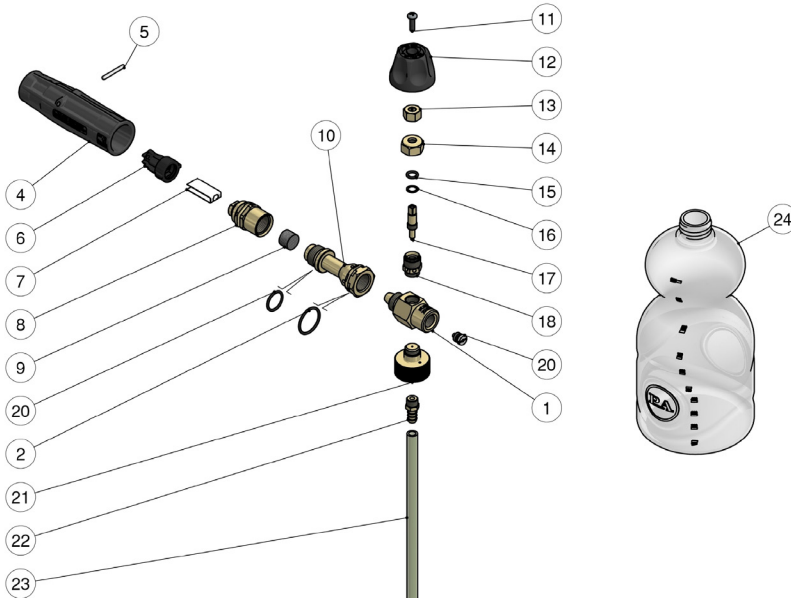
PARTS LIST

YLS12T



| Item | Part Number | Description | Qty |
|------|-------------|-------------------------|-----|
| 1 | Y14650700 | Tank (YLS12T) | 1 |
| 2 | Y29082285 | Hose (YLS12T) | 1 |
| 3 | Y25181784 | Detergent Adjusting Pin | 1 |
| 4 | Y25181684 | Tank Holder | 1 |
| 5 | Y25008531 | Nozzle Insert | 1 |
| 6 | Y10300300 | O-ring 1 x 8 mm | 1 |
| 7 | Y21000751 | Sst 1,5 mm nozzle | 1 |
| 8 | Y25184131 | Injector Housing | 1 |
| 9 | Y30641631 | Parallel Pin, 5 x 34 mm | 1 |
| 10 | Y30050931 | Parallel Pin, 5 x 24.54 | 1 |
| 11 | Y25180185 | Plastic housing | 1 |
| 12 | Y25180584 | Knob | 1 |
| 13 | Y29080253 | Diaphragm | 1 |
| 14 | Y25180651 | Strainer pill | 1 |
| 15 | Y25183185 | Spacer | 1 |
| 16 | Y10307210 | O ring 1,78 x 20,35 mm | 1 |
| 17 | Y25180285 | Front Nozzle | 1 |

YLS31T



| Item | Part Number | Description | Qty |
|------|-------------|------------------------|-----|
| 1 | Y25150331 | Injector Housing | 1 |
| 2 | Y10307250 | O-ring, 1.78x21.95 | 1 |
| 3 | Y10306600 | O-ring, 1.78x15.6 | 1 |
| 4 | Y25101884 | Nozzle Knob, Black | 1 |
| 5 | Y15104100 | Parallel Pin, 3x25, SS | 1 |
| 6 | Y25095284 | Deflector Housing | 1 |
| 7 | Y25102053 | Deflector, SS | 1 |
| 8 | Y25152231 | Injector Housing | 1 |
| 9 | Y25151251 | Pressed Strainer | 1 |
| 10 | Y25152131 | Front Injector Housing | 1 |
| 11 | Y16184000 | Screw, M4x14 | 1 |
| 12 | Y25153584 | Knob | 1 |
| 13 | Y29092431 | Groove Nut, Brass | 1 |
| 14 | Y29093831 | Ring Nut, M14x1 | 1 |
| 15 | Y10305200 | O ring 1.78 x 6.75 mm | 1 |
| 16 | Y29094051 | Washer, 7x9.5x0.7 | 1 |
| 17 | Y25150431 | Pin | 1 |
| 18 | Y25150231 | Piston Holder | 1 |
| 19 | Y15380812 | Label | 1 |
| 20 | Y21022351 | Nozzle, 1.25 mm | 1 |
| 21 | Y25150531 | Tank Holder | 1 |
| 22 | Y29010331 | Nipple, Brass | 1 |
| 23 | Y16052100 | Hose, 6x9, PVC | 1 |
| 24 | Y14560225 | Tank | 1 |

WARNING: High Pressure Systems require a primary pressure regulating device (i.e. regulator, unloader) and a secondary pressure relief device (i.e. pop-off valve, relief valve). Failure to install such relief devices properly could result in personal injury or damage to pump or property. GP does not assume any liability or responsibility for the operation of the user's high pressure system.



WARNING: This product can expose you to chemicals including lead, which is known to the state of California to cause cancer and birth defects or other reproductive harm. For more information, go to www.P65Warnings.ca.gov