

SPECIFICATIONS

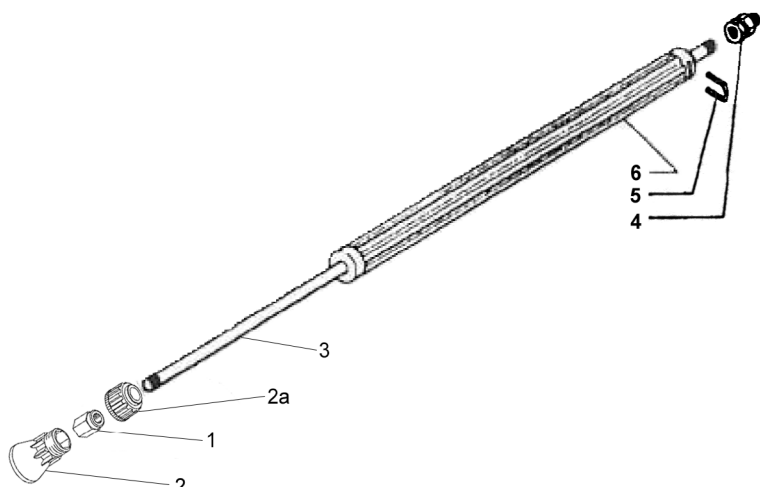
| | | |
|----------------------------|------------------------------------|------------|
| Maximum Volume | 10.5 GPM | |
| Rated Discharge Pressure | 3,650 PSI | |
| Maximum Discharge Pressure | 4,050 PSI | |
| Maximum Temperature | 320° F | |
| Port Sizes | Inlet | 1/4" NPT-M |
| | Outlet | 1/4" NPT-F |
| Materials | Zinc Plated Steel, Plastic, Rubber | |

YL Lances are designed for hot or cold water systems and couple easily to trigger guns. The round insulator is constructed of tough, reinforced polymer mounted to 1/4" zinc-plated steel tube. YL Lances (straight or bent) feature 1/4" NPT inlet and 1/4" NPT nozzle fitting with plastic nozzle protector.

STRAIGHT LANCE

| PART NUMBERS | |
|--------------------------|--------------------------|
| YL20PNS (20 inch) | YL47PNS (47 inch) |
| YL24PNS (24 inch) | YL59PNS (59 inch) |
| YL27PNS (27 inch) | YL67PNS (67 inch) |
| YL35PNS (35 inch) | YL79PNS (79 inch) |

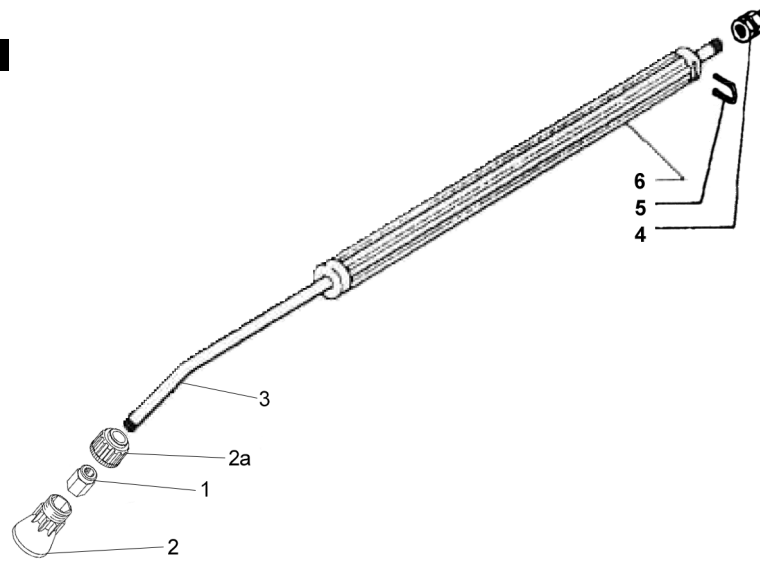
| No. | Part No. | Description | Qty |
|-----------|----------------------------------|--|-----|
| 1 | Y40000761 | Nipple, 1/4 BSPx1/4NPT | 1 |
| 2 | Y40000485 | Nozzle Protector | 1 |
| 2a | Y40000384 | Plastic Nut | 1 |
| 3 | Y40505566 | Tube, Zinc-plated, 20" (YL20PNS) | 1 |
| | Y40760266 | Tube, Zinc-plated, 24" (YL24PNS) | |
| | Y40570266 | Tube, Zinc-plated, 27" (YL27PNS) | |
| | Y40590266 | Tube, Zinc-plated, 35" (YL35PNS) | |
| | Y40821266 | Tube, Zinc-plated, 47" (YL47PNS) | |
| | Y40943166 | Tube, Zinc-plated, 59" (YL59PNS) | |
| | Y40670266 | Tube, Zinc-plated, 67" (YL67PNS) | |
| Y40943466 | Tube, Zinc-plated, 79" (YL79PNS) | | |
| 4 | Y40500561 | Inlet, 1/4 NPTx1/4 NPT | 1 |
| 5 | Y40500151 | Clip | 1 |
| 6 | Y40502023 | Insulated Handle, 12" (YL20PNS) | 1 |
| | Y40502423 | Insulated Handle, 17" (YL24, 27, 35 PNS) | |
| | Y40502823 | Insulated Handle, 25" (YL47PNS) | |
| | Y40503223 | Insulated Handle, 33" (YL59, 67, 79 PNS) | |



BENT LANCE

| PART NUMBERS | |
|--------------------------|--------------------------|
| YL20PNB (20 inch) | YL47PNB (47 inch) |
| YL24PNB (24 inch) | YL59PNB (59 inch) |
| YL27PNB (27 inch) | YL67PNB (67 inch) |
| YL35PNB (35 inch) | YL79PNB (79 inch) |

| No. | Part No. | Description | Qty |
|-----------|----------------------------------|--|-----|
| 1 | Y40000761 | Nipple, 1/4 BSPx1/4NPT | 1 |
| 2 | Y40000485 | Nozzle Protector | 1 |
| 2a | Y40000384 | Plastic Nut | 1 |
| 3 | Y40505466 | Tube, Zinc-plated, 20" (YL20PNB) | 1 |
| | Y40570366 | Tube, Zinc-plated, 24" (YL24PNB) | |
| | Y40570166 | Tube, Zinc-plated, 27" (YL27PNB) | |
| | Y40590166 | Tube, Zinc-plated, 35" (YL35PNB) | |
| | Y40620166 | Tube, Zinc-plated, 47" (YL47PNB) | |
| | Y40650166 | Tube, Zinc-plated, 59" (YL59PNB) | |
| | Y40670166 | Tube, Zinc-plated, 67" (YL67PNB) | |
| Y40700166 | Tube, Zinc-plated, 79" (YL79PNB) | | |
| 4 | Y40500561 | Inlet, 1/4 NPTx1/4 NPT | 1 |
| 5 | Y40500151 | Clip | 1 |
| 6 | Y40502023 | Insulated Handle, 12" (YL20PNB) | 1 |
| | Y40502423 | Insulated Handle, 17" (YL24, 27, 35 PNB) | |
| | Y40502823 | Insulated Handle, 25" (YL47PNB) | |
| | Y40503223 | Insulated Handle, 33" (YL59, 67, 79 PNB) | |



General Pump is a member of the Interpump Group



Ref 300434 Rev. E
11-21

