

SPECIFICATIONS

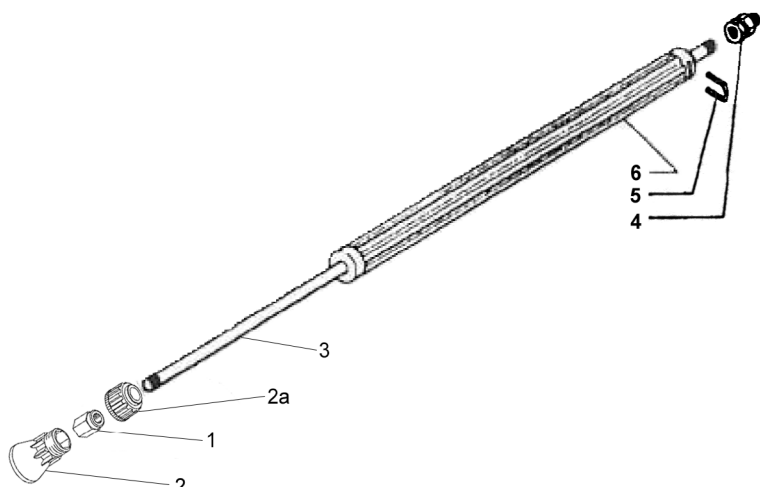
Maximum Volume	10.5 GPM	
Rated Discharge Pressure	3,650 PSI	
Maximum Discharge Pressure	4,050 PSI	
Maximum Temperature	320° F	
Port Sizes	Inlet	1/4" NPT-M
	Outlet	1/4" NPT-F
Materials	Zinc Plated Steel, Plastic, Rubber	

YL Lances are designed for hot or cold water systems and couple easily to trigger guns. The round insulator is constructed of tough, reinforced polymer mounted to 1/4" zinc-plated steel tube. YL Lances (straight or bent) feature 1/4" NPT inlet and 1/4" NPT nozzle fitting with plastic nozzle protector.

STRAIGHT LANCE

PART NUMBERS	
YL20PNS (20 inch)	YL47PNS (47 inch)
YL24PNS (24 inch)	YL59PNS (59 inch)
YL27PNS (27 inch)	YL67PNS (67 inch)
YL35PNS (35 inch)	YL79PNS (79 inch)

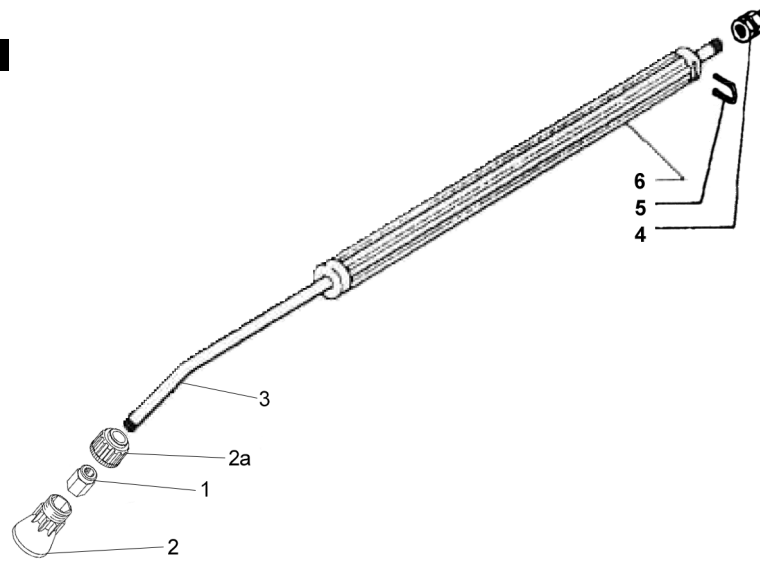
No.	Part No.	Description	Qty
1	Y40000761	Nipple, 1/4 BSPx1/4NPT	1
2	Y40000485	Nozzle Protector	1
2a	Y40000384	Plastic Nut	1
3	Y40505566	Tube, Zinc-plated, 20" (YL20PNS)	1
	Y40760266	Tube, Zinc-plated, 24" (YL24PNS)	
	Y40570266	Tube, Zinc-plated, 27" (YL27PNS)	
	Y40590266	Tube, Zinc-plated, 35" (YL35PNS)	
	Y40821266	Tube, Zinc-plated, 47" (YL47PNS)	
	Y40943166	Tube, Zinc-plated, 59" (YL59PNS)	
	Y40670266	Tube, Zinc-plated, 67" (YL67PNS)	
Y40943466	Tube, Zinc-plated, 79" (YL79PNS)		
4	Y40500561	Inlet, 1/4 NPTx1/4 NPT	1
5	Y40500151	Clip	1
6	Y40502023	Insulated Handle, 12" (YL20PNS)	1
	Y40502423	Insulated Handle, 17" (YL24, 27, 35 PNS)	
	Y40502823	Insulated Handle, 25" (YL47PNS)	
	Y40503223	Insulated Handle, 33" (YL59, 67, 79 PNS)	



BENT LANCE

PART NUMBERS	
YL20PNB (20 inch)	YL47PNB (47 inch)
YL24PNB (24 inch)	YL59PNB (59 inch)
YL27PNB (27 inch)	YL67PNB (67 inch)
YL35PNB (35 inch)	YL79PNB (79 inch)

No.	Part No.	Description	Qty
1	Y40000761	Nipple, 1/4 BSPx1/4NPT	1
2	Y40000485	Nozzle Protector	1
2a	Y40000384	Plastic Nut	1
3	Y40505466	Tube, Zinc-plated, 20" (YL20PNB)	1
	Y40570366	Tube, Zinc-plated, 24" (YL24PNB)	
	Y40570166	Tube, Zinc-plated, 27" (YL27PNB)	
	Y40590166	Tube, Zinc-plated, 35" (YL35PNB)	
	Y40620166	Tube, Zinc-plated, 47" (YL47PNB)	
	Y40650166	Tube, Zinc-plated, 59" (YL59PNB)	
	Y40670166	Tube, Zinc-plated, 67" (YL67PNB)	
Y40700166	Tube, Zinc-plated, 79" (YL79PNB)		
4	Y40500561	Inlet, 1/4 NPTx1/4 NPT	1
5	Y40500151	Clip	1
6	Y40502023	Insulated Handle, 12" (YL20PNB)	1
	Y40502423	Insulated Handle, 17" (YL24, 27, 35 PNB)	
	Y40502823	Insulated Handle, 25" (YL47PNB)	
	Y40503223	Insulated Handle, 33" (YL59, 67, 79 PNB)	



General Pump is a member of the Interpump Group



Ref 300434 Rev. E
11-21

