

GENERAL PUMP *A member of the Interpump Group*

YHL

Adjustable Nozzle

FEATURES

- Variable angle spray - 15° average angle
- High and low pressure settings allow for both cleaning and chemical application
- Durable, cost-effective design
- Higher-impact design offers superior cleaning



AVAILABLE SIZES

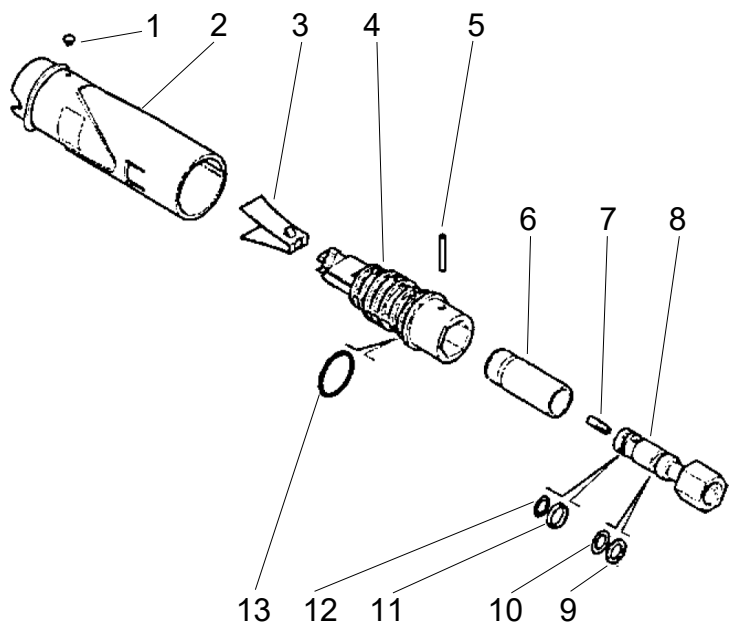
Part Number	Nozzle Number	Nozzle Color
YHL20	2.0	Light Green
YHL25	2.5	Pink
YHL30	3.0	White
YHL35	3.5	Brown
YHL40	4.0	Dark Yellow
YHL45	4.5	Blue
YHL50	5.0	Light Purple
YHL55	5.5	Dark Red
YHL60	6.0	Dark Green
YHL65	6.5	Light Blue
YHL70	7.0	Orange
YHL80	8.0	Silver

SPECIFICATIONS

Part Number	See Chart to Left
Max Volume	10.5 GPM
Rated Pressure	3,650 PSI
Max Pressure	4,050 PSI
Max Temperature	195°F
Inlet Port Size	1/4 BSP-F
Dimensions	4.5 x 1.75
Weight	0.4 lbs.
Materials	Brass, Stainless Steel , Buna-N, Plastic

PARTS LIST

No.	Part No.	Description	Qty.
1		Color Dot	1
2	Y25070584	Cover	1
3*	Y25130351	Fan Blades, SS	1
4	Y25070284	Body	1
5	Y15103700	Pin	1
6	Y25070331	Sleeve	1
7	Y25119051	#02, Light Green	1
	Y25109151	#025, Pink	1
	Y25109251	#03, White	1
	Y25109351	#035, Brown	1
	Y25109451	#04, Dark Yellow	1
	Y25109551	#045, Blue	1
	Y25119551	#05, Light purple	1
	Y25119751	#055, Dark Red	1
	Y25118651	#06, Dark Green	1
	Y25119851	#065, Light Blue	1
Y25119951	#07, Orange	1	
Y25108551	#08, Silver	1	
8	Y25070131	Base	1
9*	Y10403200	Back-up Ring	1
10*	Y10310092	O-ring	1
11*	Y10415000	Back-up Ring	1
12*	Y10305200	O-ring	1
13*	Y10307250	O-ring	1
*	Y25070824	Repair Kit	



General Pump is a member of the Interpump Group

