

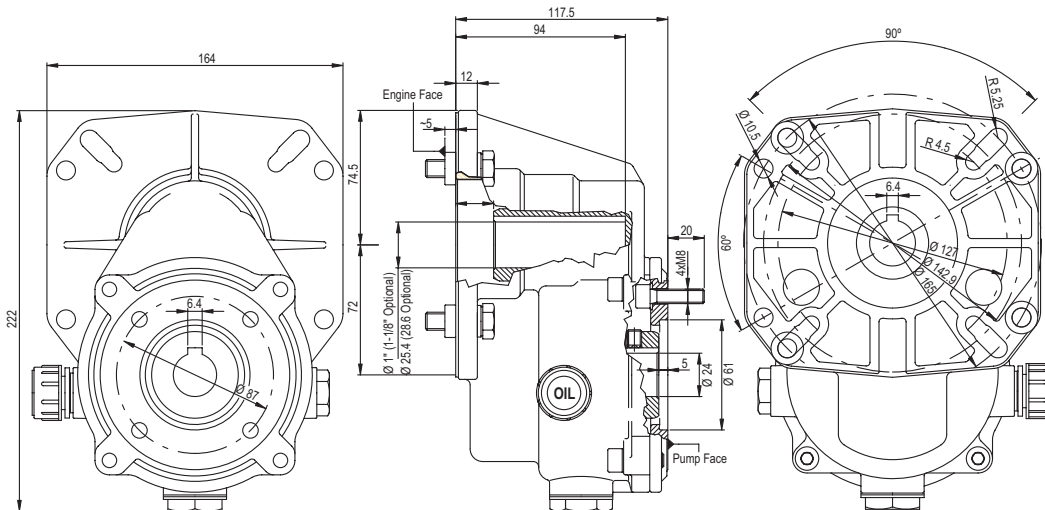
### FEATURES

- Compact and lightweight
- Hardened steel helical gears for quiet operation
- Oil bath lubrication
- Dual bearing design for extended life
- J609a Flange mounts to most gasoline engines

### SPECIFICATIONS

Part Number	YGR1000	YGR1000P	YGR1125	YGR1125P	YGR1125P31
Drive Ratio	2.176:1				
Horsepower	11 - 18	18 - 24	11 - 18	18 - 24	24 - 31
Input (motor) Shaft Ø"	1.0" / 25.4 mm		1.125" / 28.6 mm		
Output (pump) Shaft Ø"	24 mm				
Motor Flange (SAE)	J609A				
Pump Flange	Fits 47, 47SS and 66 Series General Pump				
Oil Grade	SAE90 Gear Lube				
Oil Capacity	10 oz				
Weight	5.8 lbs.				

### DIMENSIONS



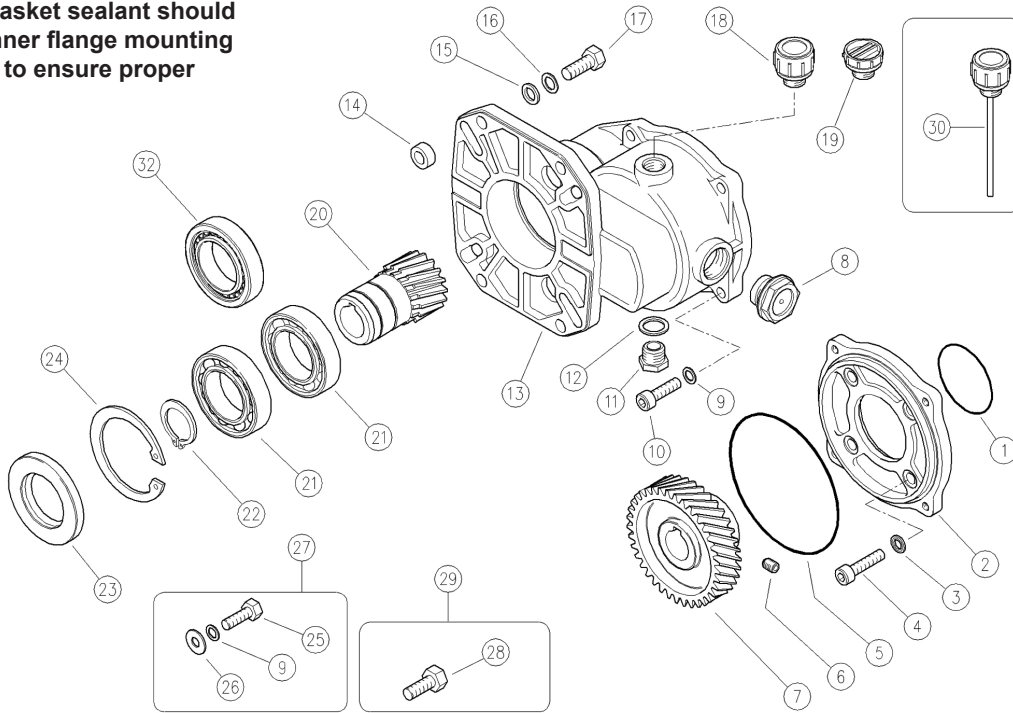
# YGR1000/1125

**GENERAL PUMP** *A member of the Interpump Group*

## Gear Reducer

### PARTS LIST

**NOTE: A RTV gasket sealant should be applied to inner flange mounting screws/washer to ensure proper sealing**



NO.	PART #	DESCRIPTION	QTY.	NO.	PART #	DESCRIPTION	QTY.
1.	Y10321056	O-ring	1	18.	Y15372600	Oil Plug + Seal	1
2.	Y50000244	Flange	1	19.	Y15372500	Plastic Cap, 3/8"	1
3.	Y14409800	Washer, 8 mm	4	20.	Y50000621	Gear, 1"	1
4.	Y16195831	Screw, M8 x 30 mm	4		Y50000721	Gear, 1-1/8"	1
5.	Y10321111	O-ring	1	21.	Y11444068	Bearing (standard)	2
6.	Y16222300	Screw, M8x10	1		Y11444168	Bearing ("P" models)	2
7.	Y50000365	37 Gear, 24 mm	1		Y11444168	Bearing ("P31" model)	1
8.	Y15373400	Oil Plug	1	22.	Y10104000	Ring, Elastic, 40 mm	1
9.	Y14365200	Washer, 8.4 mm	8	23.	Y10204072	Seal, 40 mm	1
10.	Y16195826	Screw, M8x25 mm	4	24.	Y10107200	Ring, Elastic, 40x72 mm	1
11.	Y60002831	Plug, 3/8 BSP	1	25.	Y16200900	Screw, 5/16"x1	4
12.	Y14404200	Washer, 16.7x22 mm	1	26.	Y14357200	Washer, 8.4x21 mm	4
13.	Y50000144	Housing	1	27.	Y50001024	Kit, 5/16" D, 127 mm	1
14.	Y50000831	Spacer	4	28.	Y16203500	Screw, M10	4
15.	Y14379800	Washer, 10.5x17 mm	4	29.	Y50001124	Kit, D, 135 mm, M10	1
16.	Y14365300	Washer, 10.5 mmx16 mm	4	30.	Y15372800	Oil Plug	1
17.	Y16201000	Screw, 3/8"x1-1/4	4	32.	Y11444568	Bearing (P31 model)	1

Ref 300178 Rev. E  
05-22

**GENERAL PUMP** 1174 Northland Drive • Mendota Heights, MN 55120  
Phone: 651.686.2199 • Fax: 800.535.1745 • e-mail: sales@gpcompanies.com • www.generalpump.com

