

YG7221

Spray Gun (Optional Lance)



A heavy duty, very high pressure gun and lance with side handle.

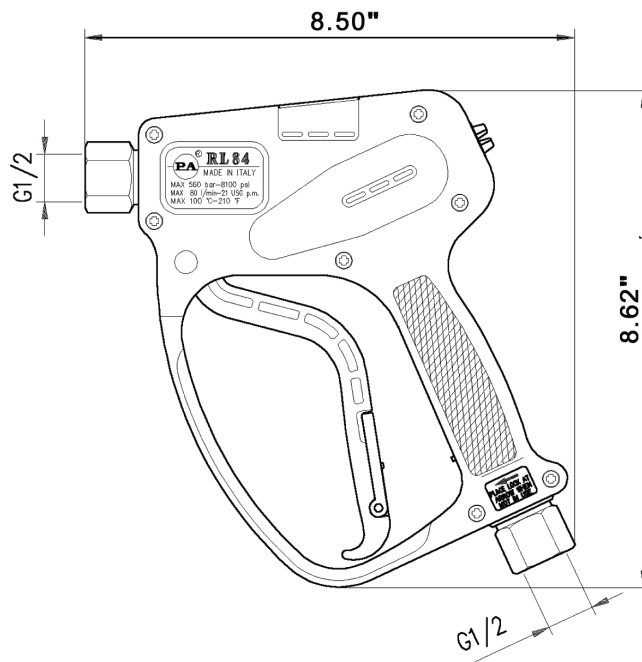
SPECIFICATIONS

Part Number:	Gun	YG7221
	Gun w/31" Lance	YG7221/L31
	Gun w/51" Lance	YG7221/L51
Maximum Volume	21 GPM	
Rated Pressure	7250 PSI	
Maximum Pressure	8100 PSI	
Maximum Temperature	210°F	
Port Sizes:	Inlet	1/2" G
	Outlet	1/2" G
	With Tube	1/2" G x 1/4" NPT-F
Dimensions:	YG7221	8.3" x 8.6" x 2"
	YG7221/L31	39.5" x 8.6" x 2"
	YG7221/L51	59.5" x 8.6" x 2"
Weight:	YG7221	3.20 lbs.
	YG7221/L31	6.50 lbs.
	YG7221/L51	8.00 lbs.
Material	Stainless Steel, Brass, Plastic, Buna-N, Teflon	

FEATURES

- Shockproof plastic housings
- Sturdy construction of Stainless Steel and brass with teflon seals
- Ergonomic construction
- Trigger operation minimizes fatigue

DIMENSIONS



Ref 300617 Rev.D
02-20



General Pump
is a member of
the Interpump Group

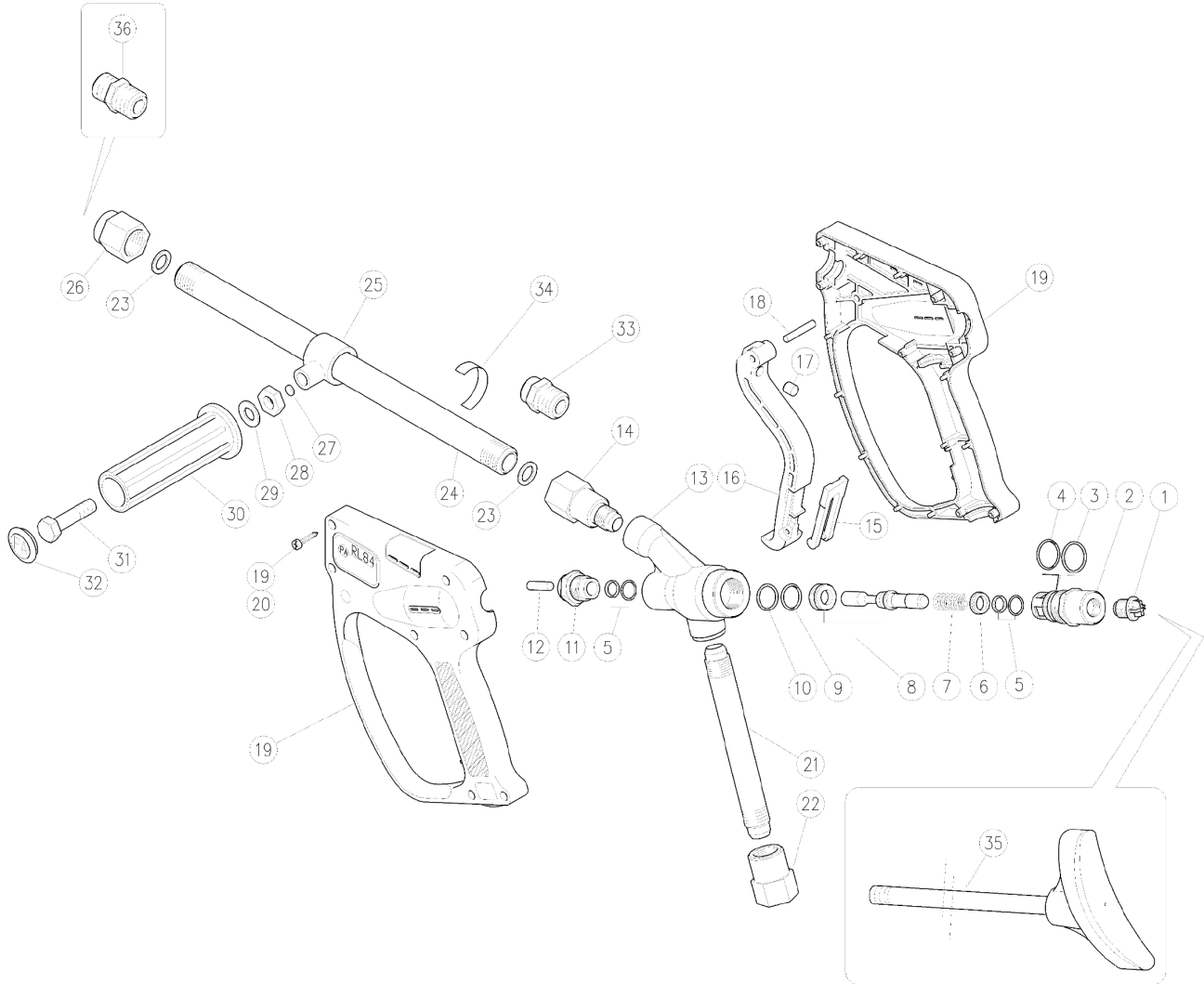


YG7221

Spray Gun (Optional Lance)

GENERAL PUMP A member of the Interpump Group

PARTS LIST



No.	Part No.	Description	Kit	Qty.
1.	Y30581584	Plug, 1/4M BSP		1
2.	Y30540831	Spring Holder		1
3.	Y10404100	Back-up Ring, 19.3 x 22 x 1.2	*	1
4.	Y10307002	O-ring, 1.78 x 18.77, Nickel	*	1
5.	Y10202700	Stem Seal, 10 x 15 x 2.2, + O-ring	*	2
6.	Y30404031	Spacer Ring, 10.1 x 15.8 x 8, Brass		1
7.	Y30404251	Spring, 2.4 x 15.3 x 30, SST	*	1
8.	Y30541124	Piston + Seat	*	1
9.	Y10306601	O-ring, 1.78 x 15.6, Nickel	*	1
10.	Y10404200	Back-up Ring, 16.3 x 19 x 1.2	*	1
11.	Y30403831	Front Plug, M18 x 1.5, Brass		1
12.	Y30404131	Parallel Pin, 6 x 25.8, Brass		1
13.	Y30540535	Housing, Brass		1
14.	Y30540351	Coupling, 1/2" BSP		1
15.	Y30151084	Safety Latch		1
16.	Y30530384	Trigger		1
17.	Y30067551	Stop Pin, SST		1
18.	Y30251731	Parallel Pin, 5 x 27.5, Brass		1
19.	Y30541224	Casing Kit		1
20.	Y16307551	Strapping Screw, 3.5 x 18, SST		7

No.	Part No.	Description	Kit	Qty.
21.	Y30540756	Back Tube		1
22.	Y30540651	Coupling, 1/2" BSP, SST		1
23.	Y14380200	Washer, 12 x 18 1.5		2
24.	Y30502656	Tube 1/2 BSP, 790 mm, SST		1
	Y30503756	Tube, 1.2 BPS, 1250mm, SST		1
25.	Y30501735	Tube Fastener, 1/2" BSP	**	1
26.	Y30501551	Nozzle Holder, 1/2 F BSP-1/4F NPT, SST		1
27.	Y13530500	Plate, 8 x 1.5	**	2
28.	Y11462700	Hex Nut, M10	**	1
29.	Y14379900	Washer, 10 x 21 x 2	**	1
30.	Y41040984	Knob, 32 x 115 mm	**	1
31.	Y16203500	Screw, M10 x 35	**	1
32.	Y41041184	Plug, Knob	**	1
33.	Y30501851	Nozzle holder, 1/2M BSP, SST		1
34.	Y15381500	Label		1
35.	Y30506000	Shoulder rest		1
36.	Y30500080	Lance Assembly, L31		1
	Y30500092	Lance Assembly, L51		1
*	Y30541424	Kit, Repair (Includes parts listed above)		
**	Y30503824	Kit, Handle (Includes parts listed above)		

Ref 300617 Rev. D
02-20



YG7221

Spray Gun (Optional Lance)

GENERAL PUMP *A member of the Interpump Group*

INSTRUCTIONS

This product is to be used with clean, fresh water. For use involving different or corrosive liquids, contact your GP's customer service department. Appropriate filtration should be installed when using unclean liquids. Choose the gun that most closely matches the rated pressure, max flow and max temperature of the pressure wash system. In any case, the pressure of the machine should not exceed the permissible pressure rate imprinted on the gun.

INSTALLATION

This gun was designed to operate with hot water (in compliance with the technical specs), making sure not to exceed the max temperature. Always fit a safety valve to protect the system when the latter is under pressure. Choose a suitable nozzle and adjust the valve mounted in the front of the gun, thus obtaining a constant supply and avoiding unwanted pressure spikes. If the nozzle wears out, the pressure falls. When you install a new nozzle, adjust the system back to the original pressure.

Ref 300617 Rev.D
02-20

GENERAL PUMP 1174 Northland Drive Mendota Heights, MN 55120
Phone: 651-686-2199 FAX: 800-535-1745 e-mail: sales@gpcompanies.com www.generalpump.com

