

GENERAL PUMP *A member of the Interpump Group*

YG5000C

Trigger Gun with Ceramic Ball

FEATURES

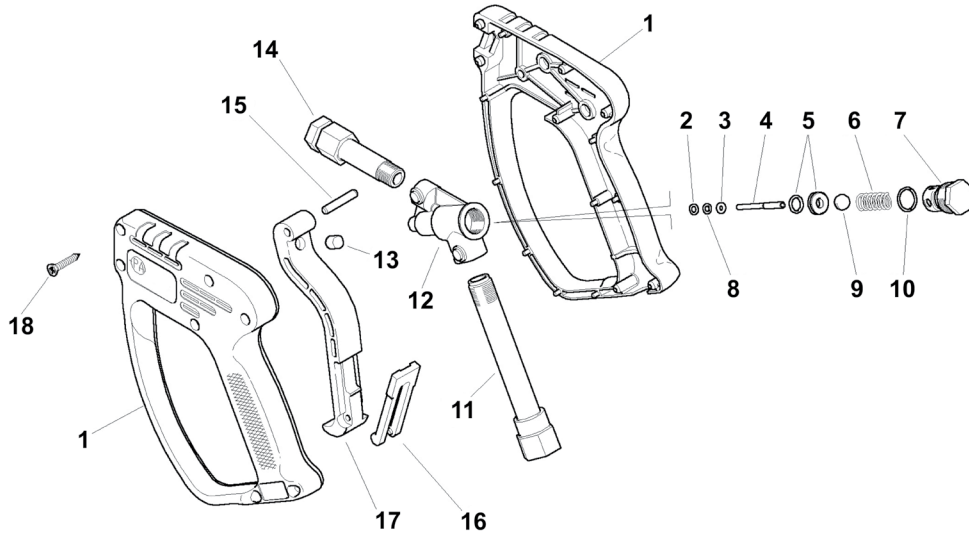
- Comfortable Impact Resistant Housing
- Forged Brass Body with Stainless Wetted Parts
- Ceramic Ball for Excellent Corrosion Resistance
- Trigger Lock to Prevent Accidental Activation

SPECIFICATIONS

Part Number	YG5000C
Max Volume	10.5 GPM
Max Discharge Pressure	5000 PSI
Max Fluid Temperature	320° F
Inlet Port Thread	3/8" BSP-F
Discharge Port Thread	1/4" BSP-F
Weight	1.6 lbs
Dimensions	7" x 5" 1.25"
Materials	Stainless Steel, Brass, Viton, Plastic, Ceramic

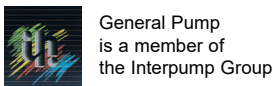


PARTS LIST



No.	Part No	Description	Qty.
1	Y30250124	Housing Kit, YG5000C	1
2	Y10401800	Back Ring, 3.2x7.5 mm	1
3	Y14351100	Washer, 3x7 mm, SST	1
4	Y30251651	Pin	1
5	Y30170820	Seat + O-ring, 6 mm	1
6	Y30259651	Spring, SST	1
7	Y30259531	Plug, M16	1
8	Y10316500	O-ring, 2.62x2.84 mm	1
9	Y14744878	Ceramic Ball, 5/16"	1

No.	Part No	Description	Qty.
10	Y10302002	O-ring, 1.5x10 mm	1
11	Y30253335	Tube, 3/8" BSP-F	1
12	Y30259735	Body, Brass, YG5000C	1
13	Y30067584	Striker, 8x7.1 mm	1
14	Y30200635	Tube, 1/4" BSP 72 mm	1
15	Y30251731	Pin, 5 mm	1
16	Y30151084	Safety Latch, Black	1
17	Y30250684	Trigger	1
18	Y16307700	Screw, 3.5x18 mm	7
KIT	Y30256324	Repair Kit	



GENERAL PUMP • 1174 Northland Drive • Mendota Heights, MN 55120

Phone: 651.686.2199 • Fax: 800.535.1745 • email: sales@gpcompanies.com • www.generalpump.com

Ref 300510 Rev D
01-19

