

GENERAL PUMP *A member of the Interpump Group*

YG5000

Rear Inlet Spray Gun

FEATURES

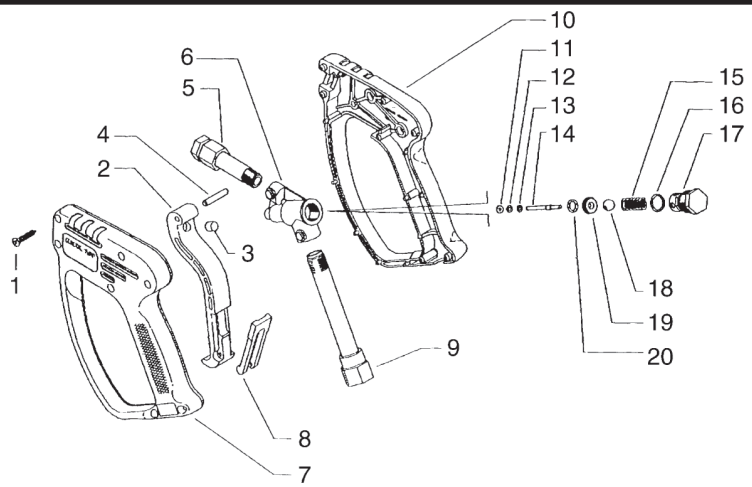
- GP exclusive design
- Stronger housing design for extra durability
- Improved trigger design for easier pull at high pressure
- Extra venting for improved performance at high temperatures
- Larger, more comfortable hand grip space to more readily accommodate work gloves.

SPECIFICATIONS

Part Number	YG5000
Max Volume	10.0 GPM
Max Discharge Pressure	5000 PSI
Max Fluid Temperature	320° F
Inlet Port Thread	3/8" NPT-F
Discharge Port Thread	1/4" NPT-F
Weight	1.2 lbs
Dimensions	7"x5"x1.25"
Materials	Stainless Steel, Brass, Viton, Plastic, Buna



PARTS LIST



No.	Part No.	Description	Qty.
1~	Y1630770	Repair Kit	1
2	Y30250684	Housing Kit	1
3	Y30067584	Seat Kit	1
4	Y30251731	Screw, M3.5x18 mm	1
5	Y30200835	Tube, 1/4" NPT	1
6	Y30259735	Body, Brass	1
7~	Y30260284	Plastic Housing, Left	1
8	Y30151084	Safety Latch, Red	1
9	Y30253435	Tube, 3/8" NPT-F	1
10~	Y30258384	Plastic Housing, Right	1
11*	Y10401800	Back-up Ring, 7.5x3.2, 1.2 mm	1
12*	Y10316500	O-ring, 2.62x84 mm, Viton	1

13	Y14351100	Brass Washer, 3.2x7x0.5 mm	1
14*	Y30251651	SS, Piston, 4x44 mm	1
15	Y30259651	SS Spring	1
16*	Y10302002	O-ring, 1.5x10 mm	1
17	Y30259531	Spring Housing Plug	1
18*	Y14744800	5/16" SS Ball	1
19* †	Y30051251	SS Seat, Ø 6x11x4.5	1
20* †	Y10305501	O-ring, 1.78x7.66 mm	1
*	YKITG5000	Repair Kit	
~	Y30260924	Housing Kit	
†	Y30170820	Seat Kit	