



### FEATURES

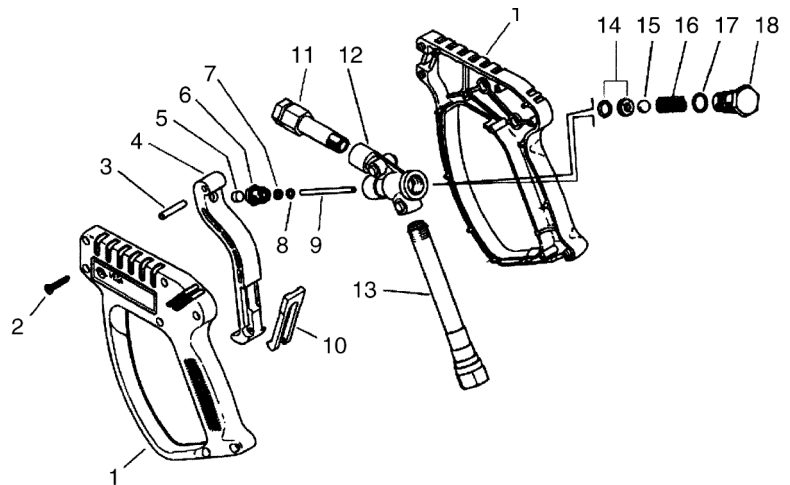
- Shockproof plastic housing
- Ergonomic Design
- Body design provides higher resistance to overpressure
- Minimizes fatigue for the operator


### SPECIFICATIONS

Part Number	YG4000
Max Volume	10.5 GPM
Rated Discharge Pressure	4,500 PSI
Max Discharge Pressure	5,000 PSI
Max Fluid Temp	320° F
Inlet Port	3/8" NPT-F
Outlet Port	1/4" NPT-F
Weight	1.7 lbs
Dimensions	8.0" x 7.3" x 1.3"
Materials	Stainless Steel, Brass, Plastic, Buna-N, Teflon

### DIMENSIONS

No.	Part No.	Description	Qty.
1**	Y30202624	Plastic Housing Assembly	1
2**	Y16307700	Screw, 5 x 18 mm	7
3	Y30251731	Pin, 5 x 27 mm	1
4	Y30250684	Trigger	1
5	Y30067584	Stiker	1
6	Y30411531	Plug, M10 x 1	1
7*	Y10401800	Backup Ring, 7.5x3, 2x1, 2 mm	1
8*	Y10316500	O-Ring, 2.62 x 2, 84mm	1
9	Y30200751	SS Piston	1
10	Y30151084	Safety Latch	1
11	Y30200835	Outlet Tube, 1/4 NPT	1
12	Y30200535	Brass Body	1
13	Y30253435	Inlet Tube, 3/8 NPT-F	1
14	Y30201420	Seat Assembly	1
15*	Y14744310	SS Ball, 11/32"	1
16	Y30200351	SS Spring	1
17*	Y10306001	O-Ring, 1.78 x 12, 42 mm	1
18	Y30200431	Spring Holder Plug	1
*	YKITG4000	YG4000 Repair Kit	1
**	Y30202924	YG4000 Housing Assembly	1



 General Pump is a member of the Interpump Group

**GENERAL PUMP** 1174 Northland Drive • Mendota Heights, MN 55120  
 Phone: 651.686.2199 • Fax: 800.535.1745 • e-mail: sales@gpcompanies.com • www.generalpump.com

Ref 300407 Rev. F  
 09-18

