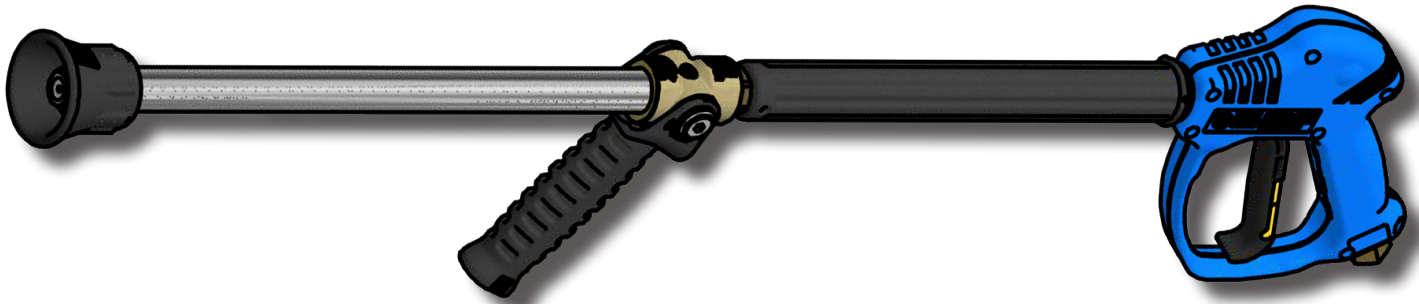


YG36LA37C

Washdown Gun/Lance Assembly



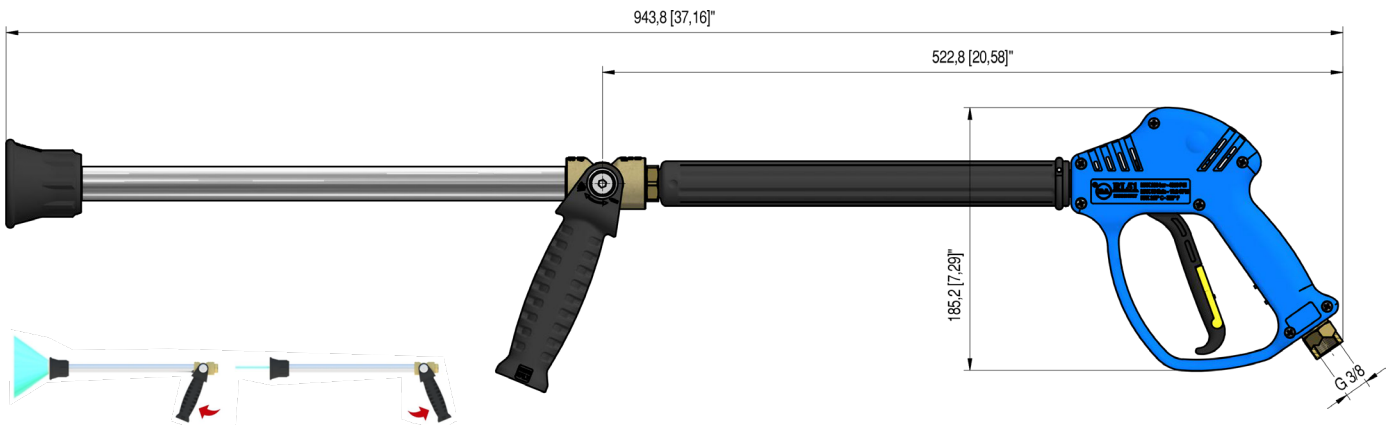
FEATURES

- Shock resistant plastic housing
- Stainless Steel seat and ball
- Internal construction of brass and Stainless Steel
- 37 inch lance
- Features a compensating trigger
- Minimizes fatigue for the operator

SPECIFICATIONS

Part Number	YG36LA37C
Maximum Volume	10.5 GPM
Maximum Discharge Pressure	3,650 PSI
Maximum Fluid Temperature	195° F
Inlet Port Thread	G 3/8" - F
Ceramic Nozzle	#25 (3 mm)
Weight	6.0 lbs.
Materials	Stainless Steel, Brass, Plastic, Buna-N, Teflon

DIMENSIONS



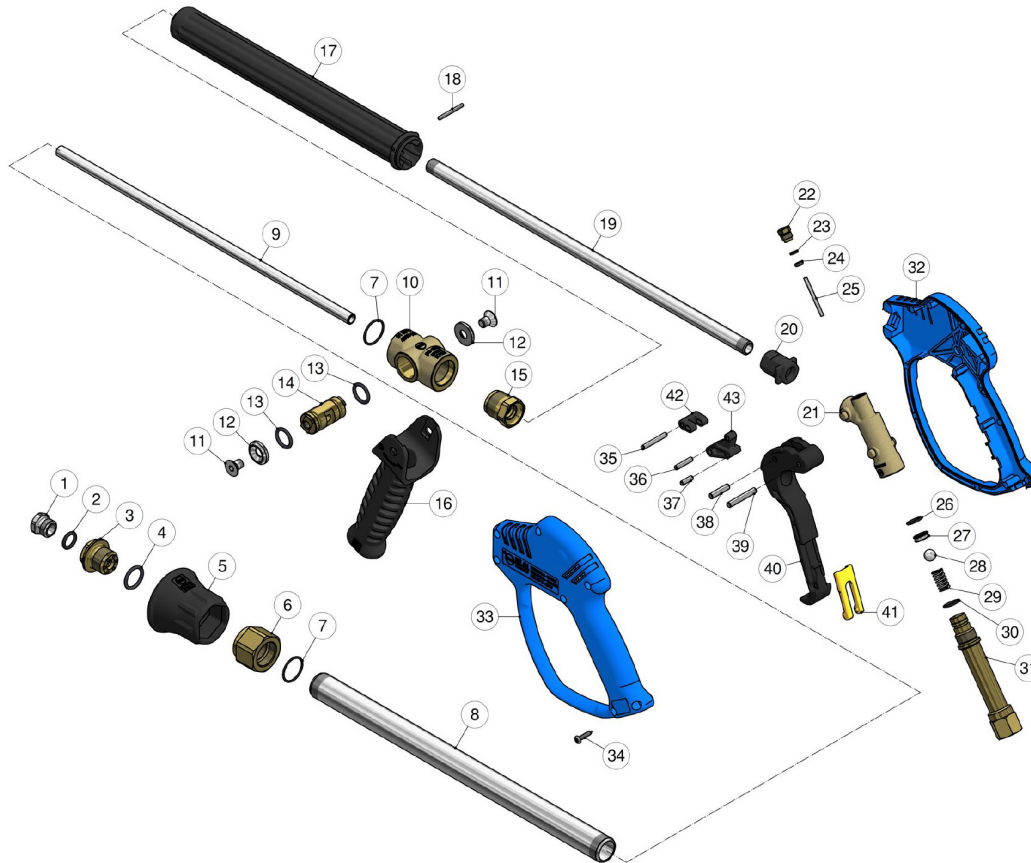
YG36LA37C

Washdown Gun/Lance Assembly

GENERAL PUMP

A member of the Interpump Group

PARTS LIST



ITEM	PART #	DESCRIPTION	QTY
1	Y41012351	Sst.nozzle d.3 mm fp.25 M16x2 m	1
2	Y10317601	O-ring, 2,62x 11,81 mm Ni 8	1
3	Y41011331	Nzl holder, M22-M16 MF bras	1
4	Y10318200	O-ring, 2,62x17,96 m	1
5	Y41011985	Nozzle protection	1
6	Y41011231	Injector coupl. M22-M24 FF bras	1
7	Y10302710	O-Ring, 1,5x22 mm Vi	2
8	Y41011456	Sst tube, M24x2 L.362,5 m	1
9	Y41011556	Sst tube L.367,5 mm d.10 m	1
10	Y41011135	Brass frame .GV5 2 x M24x	1
11	Y16195412	Screw, DIN7991 M8x12 mm Ss	2
12	Y80001551	C/sunk washer, 8,5x22x4,5mm Ss	2
13	Y10318010	O-ring, 2,62x15,08 mm v	2
14	Y41055631	Hollow shaft, M8 bras	1
15	Y40121131	Coupling, M24x1M-1/4F Bsp brass	1
16	Y41011884	Trigger -GV5, black	1
17	Y40004184	R5 insul. round grip, 292mm	1
18	Y15104600	Parallel pin, 3x30 mm Ss	1
19	Y40000256	Tube, 1/4Bsp MM 370mm Ss	1
20	Y30455484	Gun outlet adapter, PA black	1

ITEM	PART #	DESCRIPTION	QTY
21	Y30410535	Housing -RL51/56, brass	1
22	Y30411531	Front Plug, M10x1 brass	1
23	Y10401800	Back-up ring, 3,2x7,5x1,2 m	1
24	Y10316500	O-ring, 2,62x2,84 mm Vi 7	1
25	Y30410951	Piston, 3x37,6 mm Ss	1
27	Y30100220	Seat, 7mm Sst. +O-ring 1,78 m	1
28	Y14746100	Ball, 13/32" Ss	1
29	Y30410851	Spring, 1,6x8,8x24 mm Ss	1
30	Y10306001	O-ring, 1,78x12,42 mm Ni 8	1
31	Y30410635	Inlet housing, 3/8F Bsp brass	1
32	Y30412924	Casing-kit -RL51 +screws	1
34	Y16307700	S/tapping screw, DIN7981 3,5x18 mm	7
35	Y30411351	Parallel pin, 4x29 mm Sst.	1
36	Y30411251	Parallel pin, 4x20 mm Sst.	1
37	Y30412251	Parallel pin, 4x13 mm Sst.	1
38	Y30412151	Parallel pin, 5x22 mm Sst.	1
39	Y30411451	Parallel pin, 5x33 mm Sst.	1
40	Y30412784	Trigger -RL51/56, PA black	1
41	Y30151484	Safety latch, PA yellow	1
	Y30120924	Repair Kit, RL37, 8x1 pcs.	

Ref 310176 Rev. A
01-20

YG36LA37C

Washdown Gun/Lance Assembly

GENERAL PUMP

A member of the Interpump Group

INSTRUCTIONS

This product is to be used with clean, fresh water. For use involving different or corrosive liquids, contact GP's customer service department. Appropriate filtration should be installed when using unclean liquids. Choose the gun that most closely matches the rated pressure, max flow and max temperature of the pressure wash system. In any case, the pressure of the machine should not exceed the permissible pressure rate imprinted on the gun.

INSTALLATION

This gun was designed to operate with hot water (in compliance with the technical specs), making sure not to exceed the max temperature. Always fit a safety valve to protect the system when the latter is under pressure. If the nozzle wears out, the pressure falls. When you install a new nozzle, adjust the system back to the original pressure.

OPERATION

The gun opens and closes a high pressure conduct by means of a piston acting on a seat; the return is controlled by a spring which releases the trigger. Attention: during pump activation ALWAYS set the gun with its safety latch connected in order to prevent accidental openings. The handle on the lance controls the flow.