

**GENERAL PUMP** *A member of the Interpump Group*

# YG3000D/YG3000DS

*Dump Gun w/40" or 15" Lance*

**FEATURES**

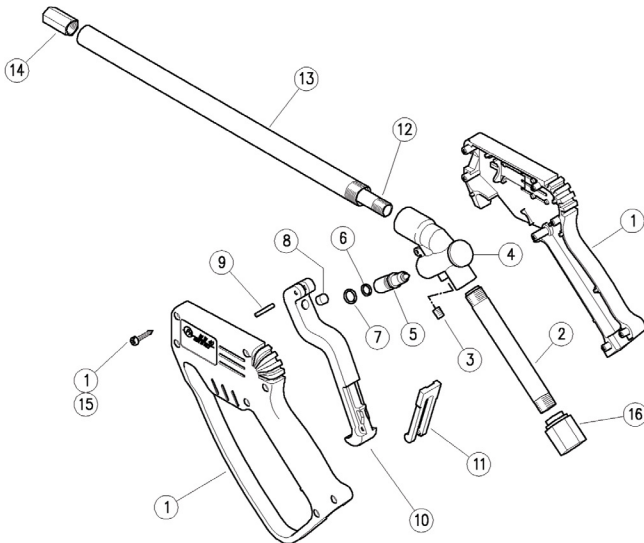
- Comfortable Impact Resistant Housing
- Brass and Stainless Steel Internal Parts
- Ergonomic Design
- Minimum fatigue for operator

**SPECIFICATIONS**

Part Number	YG3000D/YG3000DS	
Max Volume	10.5 GPM	
Max Discharge Pressure	3000 PSI	
Max Fluid Temp	140°F	
Inlet Port Thread	3/8" NPT-F	
Discharge Port Thread	1/8" NPT-F	
Weight	3.5 lbs	
Dimensions	YG3000D	48" x 7.5" x 1.5"
	YG3000DS	23" x 7.5" x 1.5"
Materials	Stainless Steel, Plastic, Buna-N, Zinc Plated Steel	



**PARTS LIST**



No.	Part No.	Description	Qty.
1	Y30302724	Gun Housing	1
2	Y30303266	1/4" BSP 125mm Tuabe	1
3	Y16220000	Plug, M6	1
4	Y30300135	Body	1
5*	Y30300823	Pin	1
6*	Y10305700	O-Ring, 1.78 x 9.25 mm	1
7*	Y10305500	O-Ring, 1.78 x 7.66 mm	1
8	Y30067451	Striker, 6.2 mm SS	1
9	Y15103600	Pin, 3 x 20 mm	1
10	Y30321784	Trigger	1
11	Y30105484	Safety Latch	1
12	Y30300556	Tube, M12-16" (YG3000DS)	1
	Y30301056	Tube, M12-41" (YG3000D)	1
13	Y30300656	Tube, M18-15" (YG3000DS)	1
	Y30301156	Tube, M18-40" (YG3000D)	1
14	Y30300951	Sleeve 1/8" NPT-F	1
15	Y16307551	Screw 3.5 x 18 mm	7
16	Y30321261	Sleeve, 3/8" NPT-F	1
*	YKITG3000D		

