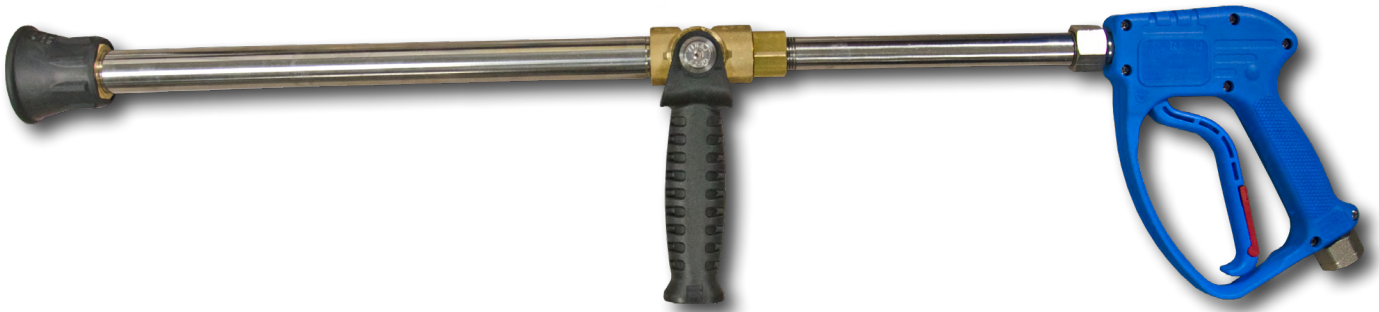


GENERAL PUMP *A member of the Interpump Group*

YG26LA34

Washdown Gun/Lance Assembly



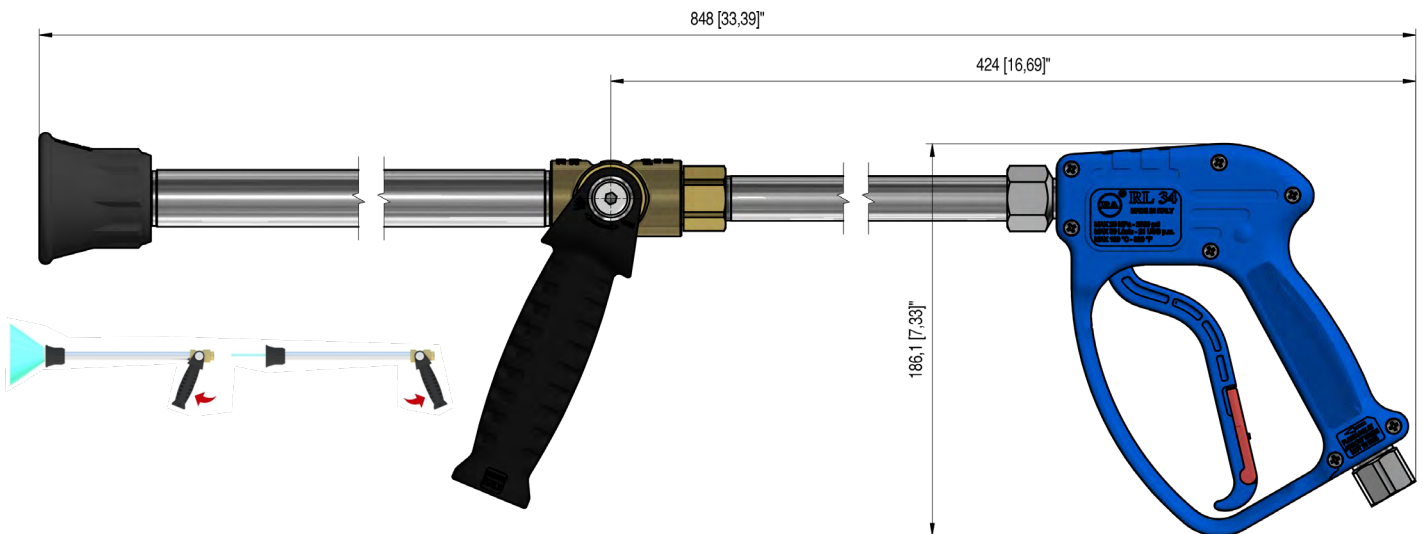
FEATURES

- Shock resistant plastic housing
- Stainless Steel seat and ball
- Internal construction of brass and Stainless Steel
- 34 inch lance
- Ergonomic design
- Minimizes fatigue for the operator

SPECIFICATIONS

| | |
|----------------------------|---|
| Part Number | YG26LA34 |
| Maximum Volume | 21.0 GPM |
| Maximum Discharge Pressure | 2,600 PSI |
| Maximum Fluid Temperature | 109° F |
| Inlet Port Thread | 1/2" NPT-F |
| Orifice Size | #25 (3.0 mm) |
| Weight | 7.0 lbs. |
| Materials | Stainless Steel, Brass, Plastic, Buna-N, Teflon |

DIMENSIONS



General Pump
is a member of
the Interpump Group



Ref 310189 Rev. B
02-23



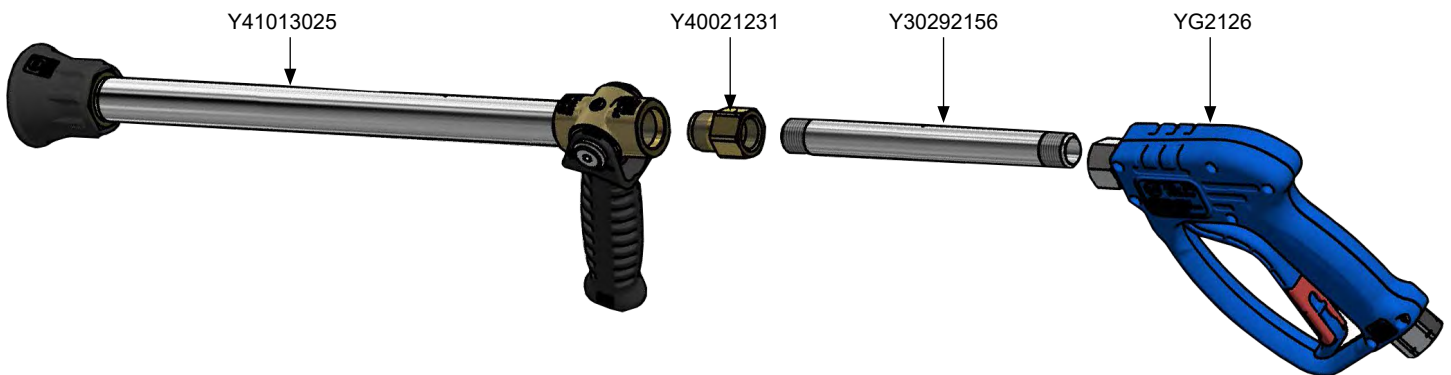
YG26LA34

Washdown Gun/Lance Assembly

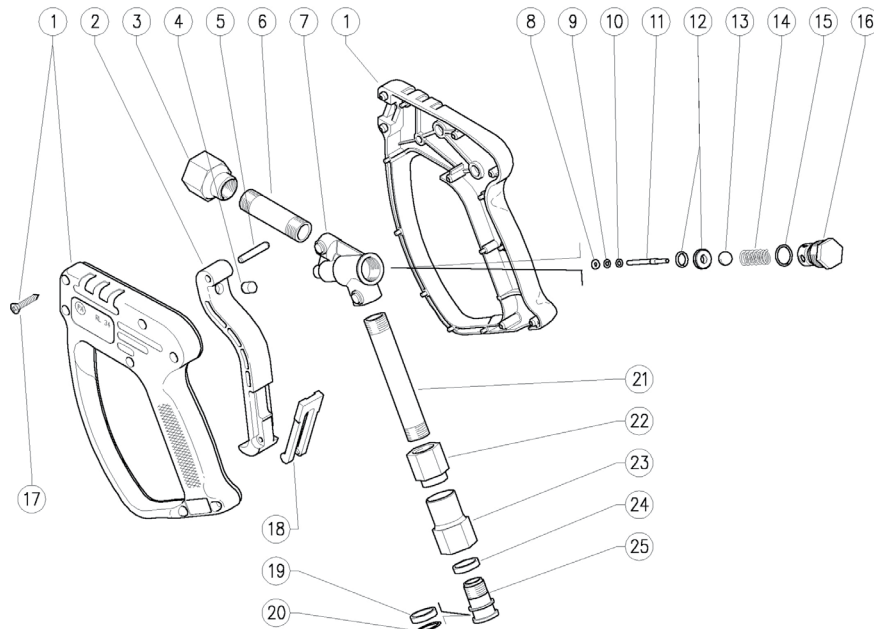
GENERAL PUMP

A member of the Interpump Group

PARTS



PARTS LIST (YG2126)



| Item | Part Number | Description | Qty. |
|------|-------------|---------------------------------|------|
| 1 | Y30290224 | Casting, RL34, +screws, SST | 1 |
| 2 | Y30254384 | Trigger, Blue | 1 |
| 3 | Y30317131 | Coupler, M16x1F-1/2F Bsp, Brass | 1 |
| 4 | Y30067584 | Stop Pin, 8x7.1 mm | 1 |
| 5 | Y30251731 | Parallel Pin, 5x27.5 mm | 1 |
| 6 | Y30318036 | Tube, N16x1 mm, Brass | 1 |
| 7 | Y30290135 | Housing, Brass | 1 |
| 8* | Y10401800 | Back-up Ring, 3.2 x 5 x 1.2mm | 1 |
| 9* | Y10316500 | O-ring, 2.62 x 2.84mm | 1 |
| 10 | Y14351100 | Washer, 3.2x7x0.5 mm, SST | 1 |
| 11* | Y30280251 | SST Plunger, Ø4 x 3 x .43mm | 1 |
| 12* | Y30280620 | Seat. 9mm, SST + O-ring | 1 |
| 13* | Y14746100 | Ball, 13/32", SST | 1 |
| 14 | Y30410851 | Spring, 1.6x8.8x24 mm | 1 |

| Item | Part Number | Description | Qty. |
|------|-------------|---------------------------------|------|
| 15*† | Y10306010 | O-ring, 1.78 x 12.42 mm | 1 |
| 16 | Y30280331 | Spring Plug, M18, Brass | 1 |
| 17 | Y16307551 | Screw, 3.5x18 mm, SST | 7 |
| 18 | Y30151084 | Safety Latch, Red | 1 |
| 19*† | Y26107585 | Bushing, Open, 15.5 x 19 x 4 mm | 1 |
| 20*† | Y10309210 | O-ring, 2 x 15 mm | 1 |
| 21 | Y30317336 | Tube, M6x1 mm, Brass | 1 |
| 22 | Y30318131 | Coupling, M15x16, Brass | 1 |
| 23† | Y30318531 | Coupling, 1/2" NPT-F | 1 |
| 24*† | Y26107485 | Bushing, 15.5 x 19 x 4 mm | 1 |
| 25† | Y26107231 | Pin, M15x1-19 mm | 1 |
| * | YKITG2126 | Gun Repair Kit | |
| † | YKITSW2126 | Swivel Repair Kit | |

YG26LA34

Washdown Gun/Lance Assembly

GENERAL PUMP

A member of the Interpump Group

INSTRUCTIONS

This product is to be used with clean, fresh water. For use involving different or corrosive liquids, contact GP's customer service department. Appropriate filtration should be installed when using unclean liquids. Choose the gun that most closely matches the rated pressure, max flow and max temperature of the pressure wash system. In any case, the pressure of the machine should not exceed the permissible pressure rate imprinted on the gun.

INSTALLATION

This gun was designed to operate with hot water (in compliance with the technical specs), making sure not to exceed the max temperature. Always fit a safety valve to protect the system when the latter is under pressure. If the nozzle wears out, the pressure falls. When you install a new nozzle, adjust the system back to the original pressure.

OPERATION

The gun opens and closes at high pressure conduct by means of a piston acting on a seat; the return is controlled by a spring which releases the trigger. Attention: during pump activation ALWAYS set the gun with its safety latch connected in order to prevent accidental openings. The handle on the lance controls the flow.

SAFETY PROCEDURE & WARNINGS



WARNING: High Pressure Systems require a primary pressure regulating device (i.e. regulator, unloader) and a secondary pressure relief device (i.e. pop-off valve, relief valve). Failure to install such relief devices properly could result in personal injury or damage to pump or property. GP does not assume any liability or responsibility for the operation of the user's high pressure system.



WARNING: This product can expose you to chemicals including lead, which is know to the state of California to cause cancer and birth defects or other reproductive harm. For more information, go to www.P65Warnings.ca.gov