



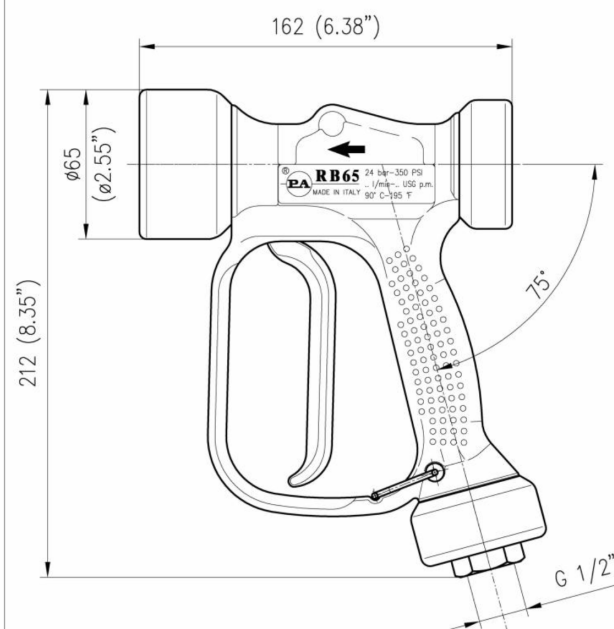
FEATURES

- Variable nozzle, trigger controlled
- Adjustable fixed spray pattern from 0° - 60°
- Rubber bumpers protect work from damage
- Durable impact resistant molded handle
- Available with built-in inlet swivel

SPECIFICATIONS

Part Number	YG2635SR
Maximum Volume	26.5 GPM
Rated Discharge Pressure	350 PSI
Maximum Discharge Pressure	350 PSI
Maximum Fluid Temperature	195° F
Inlet Port Thread	1/2" BSP-F
Discharge Port Thread	Adjustable Cone Nozzle
Weight	3.5 lbs
Dimensions	8.35" x 6.38" x 2.55"
Materials	Stainless Steel, Brass, Plastic, Viton

DIMENSIONS



General Pump is a member of the Interpump Group

Ref 301065 Rev. A
04-20



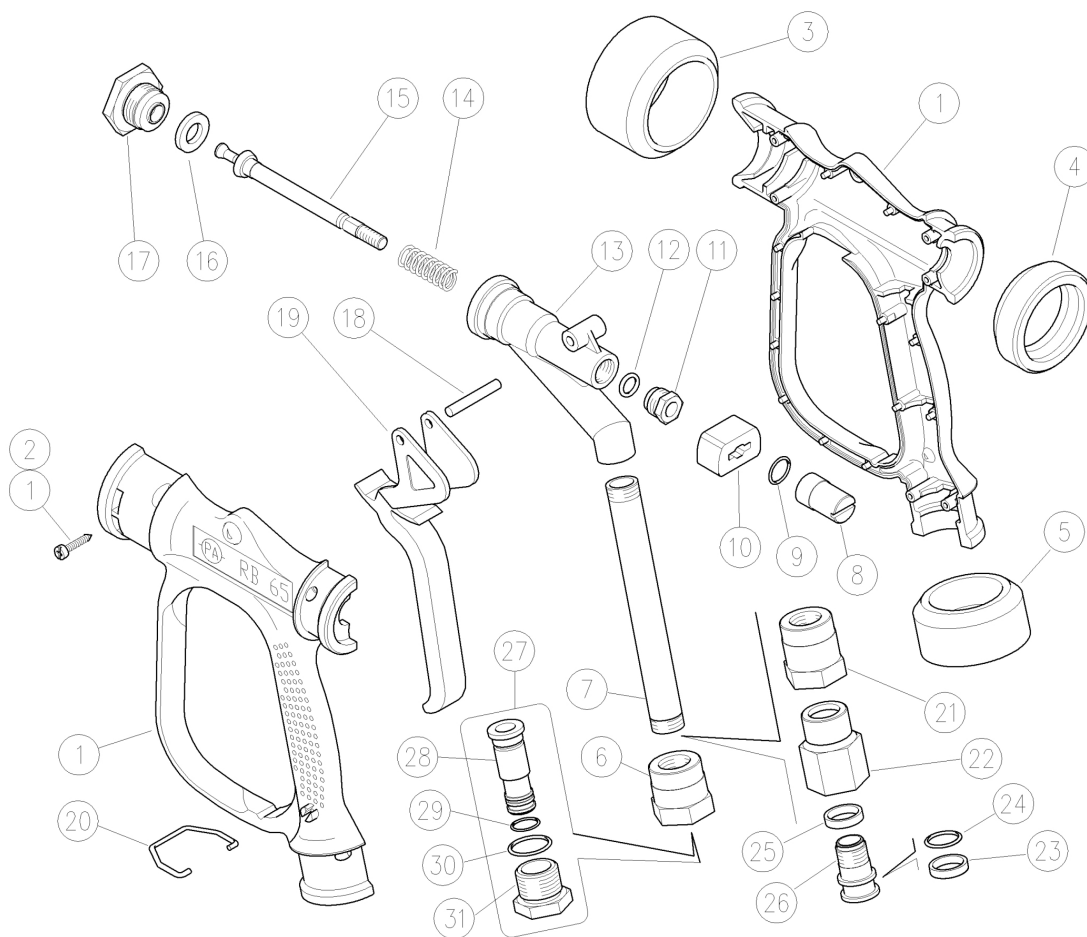
YG2635AS

High Volume Low Pressure Washdown Gun

GENERAL PUMP

A member of the Interpump Group

PARTS LIST



No.	Part No.	Description	Qty.
1	Y30642024	Casing kit, + screws, SST	1
2	Y16307551	Self-tapping screw, 3.5x18 mm, SST	6
3	Y30641285	Front guard ring, blue	1
4	Y30641385	Back guard ring, blue	1
5	Y30641485	Lower guard ring, blue	1
6	Y30640731	Coupler, M16x1.5F-1/2 F BSP, brass	1
7	Y30640936	Tube, M16x1.5 FF 130 mm, brass	1
8	Y30641831	Regulating pin, M7	1
9*, **, #	Y10306401	O-ring, 1.78x14mm viton	1
10	Y30640484	Sliding block, blue	1
11	Y30641731	Plug, M14x1, brass	1
12*, **, #	Y10317010	O-ring, 2.62x7.6mm, VI70	1
13	Y30640535	Housing, brass	1
14**, #	Y30645451	Spring, 2x12.9x40mm, SST	1
15**	Y30640631	Piston, brass	1
16*, **, #	Y30640885	Front seal, 11x20.3x3 mm	1
17	Y30640331	Front coupling, brass	1

No.	Part No.	Description	Qty.
18	Y30642831	Parallel pin, 5x38 mm, brass	1
19	Y30644484	Trigger, red	1
20	Y30641551	Trigger retainer, SST	1
21	Y30642631	Coupler, M15x1F-M16x1.5F	1
22	Y30642731	Coupler, 1/2F BSP	1
23	Y26107585	Bushing, open, 15.5x19.4 mm, PTFE	1
24	Y10309210	O-ring, 1.15mm, Vi 70	1
25	Y26107485	Bushing, 15.5x19.4, PTFE	1
26	Y26107231	Pin, M15x1-19mm, brass	1
27	Y30643000	Swivel, brass +13mm hose barb	1
28	Y30643131	Hose barb, 13mm, brass	1
29	701014	O-ring, 1.78x12.42mm	1
30	Y10309290	O-ring, 1x19mm	1
31	Y30643231	Coupler, 1/2M BSP, brass	1
*	Y30642224	Repair kit, seals, 3x1 pc	
**	Y30642324	Repair kit, 5x1 pc	
#	Y30642424	Repair kit, 4x1pc	

YG2635AS

High Volume Low Pressure Washdown Gun

GENERAL PUMP

A member of the Interpump Group

INSTRUCTIONS

This product is to be used with clean, fresh water. For use involving different or corrosive liquids, contact your GP customer service department. Appropriate filtration should be installed when using unclean liquids. Choose the gun that most closely matches the rated pressure, max flow and max temperature of the pressure wash system. In any case, the pressure of the machine should not exceed the permissible pressure rate imprinted on the gun.

INSTALLATION

This gun was designed to operate with hot water (in compliance with the technical specs), making sure not to exceed the max temperature. Always fit a safety valve to protect the system when the latter is under pressure. Choose a suitable nozzle and adjust the valve mounted in the front of the gun, thus obtaining a constant supply and avoiding unwanted pressure spikes. If the nozzle wears out, the pressure falls. When you install a new nozzle, adjust the system back to the original pressure.

OPERATION

The gun opens and closes a high pressure conduct by means of a piston acting on a seat; the return is controlled by a spring which releases the trigger. Attention: during pump activation ALWAYS set the gun with its safety latch connected in order to prevent accidental openings.

TROUBLESHOOTING

PROBLEM	PROBABLE CAUSES	SOLUTION
Leakage from the nozzle	Presence of impurities Gun seat worn out	Clean Replace seat Fit adequate filters and/or check
Leaking Seals	Seals worn out	Replace seals
Difficult trigger opening	High pressure inside circuit	Control the bypass valve and adjust if necessary

MAINTENANCE

Maintenance must be carried out by **Specialized Technicians** only.

STANDARD: every 400 working hours (10,000 cycles), check and lubricate the seals with water resistant grease.

SPECIAL: every 800 working hours (20,000 cycles), check the wear of the seals and internal parts and, if necessary, replace with original parts only, taking care to lubricate with water resistant grease.

CAUTION: re-assemble the gun restoring the original conditions.

GP/manufacture are not to be considered responsible for damage as a result of incorrect fitting and maintenance.

WARNING: High Pressure Systems require a primary pressure regulating device (i.e. regulator, unloader) and a secondary pressure relief device (i.e. pop-off valve, relief valve). Failure to install such relief devices properly could result in personal injury or damage to pump or property. GP does not assume any liability or responsibility for the operation of the user's high pressure system.