

YDL Double Lances

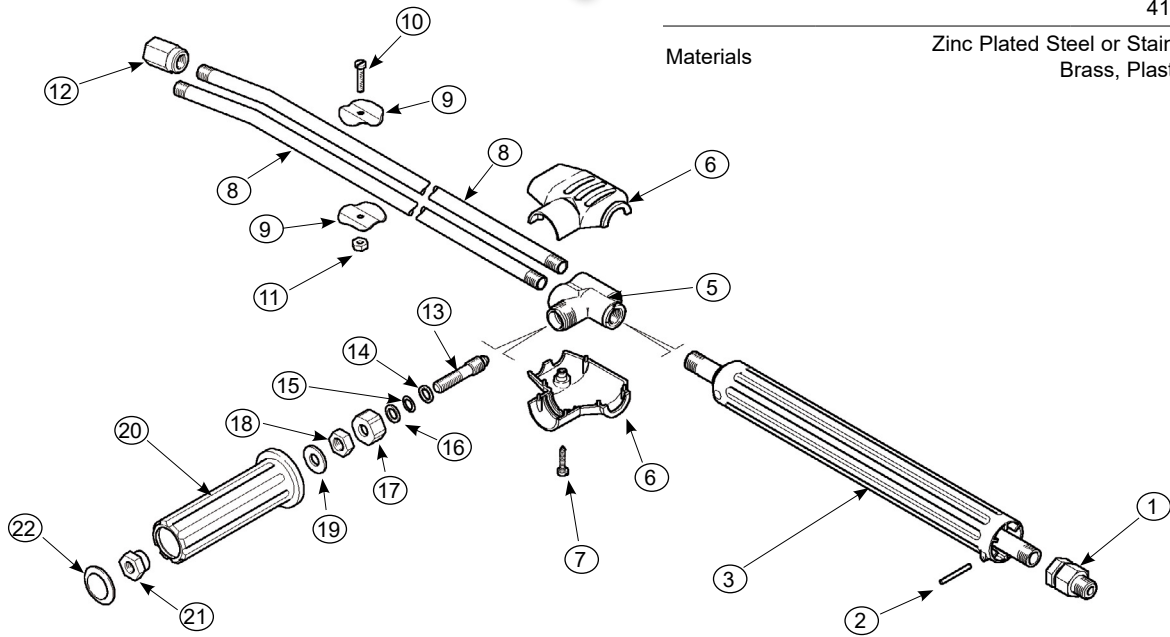
Stainless Steel and Zinc Plated



SPECIFICATIONS

Part Number	YDL33 - YDL41	Zinc Plated, Straight
	YDL33B - YDL41B	Zinc Plated, Bent
	YDL41SS	SST, Straight
	YDL33SSB - YDL41SSB	SST, Bent
Maximum Volume	10.5 GPM	
Maximum Discharge Pressure	4050 PSI	
Maximum Temperature	320° F	
Port Sizes	Inlet	1/4" NPT-M
	Outlet	1/4" NPT-F
Dimensions	33.3" or 41.5" x 6.4" x 1.3" OD	
Weight	33" - 2.2 lbs.	
	41" - 2.4 Lbs.	

Materials Zinc Plated Steel or Stainless Steel, Brass, Plastic, Buna-N



Parts List

No.	Part No.	Description	Kit	Qty.	No.	Part No.	Description	Kit	Qty.
1.	Y40500261	Connection, Zinc Plated, 1/4MF BSP		1	10.	Y16184000	Screw		1
2.	Y15104600	Parallel Pin, 3 x 30 mm, SST		1	11.	Y11451305	Hex Nut, M4		1
3.	Y40004184	Handle, Insulated		1	12.	Y41010861	Nozzle Holder		2
4.	Y41050156	Tube, SST, 11.8"		1	13.	Y41040651	Shutter, LD SST		1
	Y40505066	Tube, Zinc Plated, 11.8"		1	14.	Y14364300	Washer	K1	1
5.	Y41040235	Valve Housing		1	15.	Y10317000	O-ring	K1	1
6.	Y41042624	Casing Kit		1	16.	Y10402000	Back-up Ring	K1	1
7.	Y16307700	Self-tapping Screw		1	17.	Y41040831	Ring Nut		1
8.	Y41011666	Tube, 19.7", Zinc Plated		2	18.	Y11457400	Hex Nut, M8		1
	Y41010366	Tube, 27.6", Zinc Plated		2	19.	Y14357200	Washer		1
	Y41055156	Tube, 19.7", SST		2	20.	Y41040984	Knob		1
	Y41050256	Tube, 27.6", SST		2	21.	Y41041031	Special Nut, M8, Brass		1
9.	Y41010463	Tube Washer		2	22.	Y41041184	Knob Plug		1
					K1	Y41041924	Repair Kit		1

Replacement tubes for bent lances are supplied straight to simplify installation. Bend after assembly.



General Pump is a member of the Interpump Group

