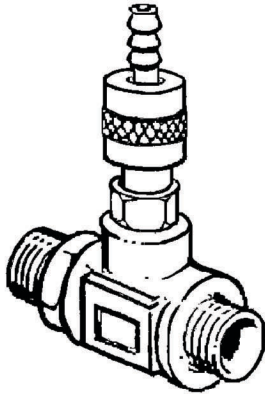


Downstream chemical injector; requires low pressure to activate chemical flow.

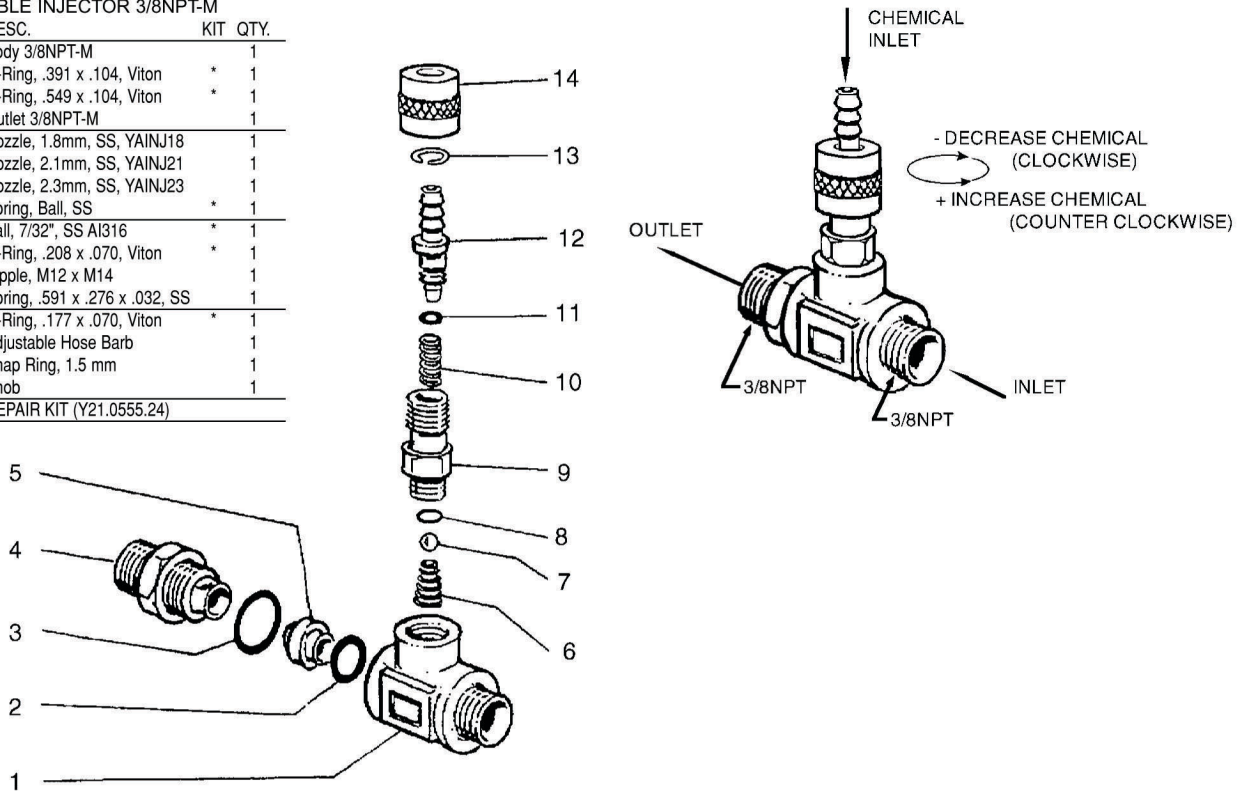
SPECIFICATIONS

| | | |
|--------------------------------|-------------------------------|---------------|
| Part Number | YAINJ18 | |
| Maximum Volume: | YAINJ18 | Up to 2.6 GPM |
| Maximum Pressure | 4000 PSI | |
| Maximum Temperature | 190°F | |
| Port Sizes: (Inlet and Outlet) | 3/8 in. NPT-M | |
| Hose Barb Size | 5/16 in. | |
| Weight | .5 lb. | |
| Material | Brass, Stainless Steel, Viton | |



PARTS LIST

| NO. | PART NO. | DESC. | KIT | QTY. |
|---|-------------|--------------------------------|-----|------|
| YAINJ18 Y21.0550.18 ADJUSTABLE INJECTOR 3/8NPT-M | | | | |
| 1. | Y21.0551.35 | Body 3/8NPT-M | * | 1 |
| 2. | Y10.3174.10 | O-Ring, .391 x .104, Viton | * | 1 |
| 3. | Y10.3179.10 | O-Ring, .549 x .104, Viton | * | 1 |
| 4. | Y21.0552.31 | Outlet 3/8NPT-M | | 1 |
| 5. | Y21.0504.51 | Nozzle, 1.8mm, SS, YAINJ18 | | 1 |
| | Y21.0505.51 | Nozzle, 2.1mm, SS, YAINJ21 | | 1 |
| | Y21.0506.51 | Nozzle, 2.3mm, SS, YAINJ23 | | 1 |
| 6. | Y21.0160.51 | Spring, Ball, SS | * | 1 |
| 7. | Y14.7420.01 | Ball, 7/32", SS A1316 | * | 1 |
| 8. | Y10.3049.00 | O-Ring, .208 x .070, Viton | * | 1 |
| 9. | Y21.0161.31 | Nipple, M12 x M14 | | 1 |
| 10. | Y21.0158.51 | Spring, .591 x .276 x .032, SS | | 1 |
| 11. | Y10.3043.01 | O-Ring, .177 x .070, Viton | * | 1 |
| 12. | Y21.0155.31 | Adjustable Hose Barb | | 1 |
| 13. | Y21.0165.51 | Snap Ring, 1.5 mm | | 1 |
| 14. | Y21.0102.31 | Knob | | 1 |
| * YKITA1NJ REPAIR KIT (Y21.0555.24) | | | | |

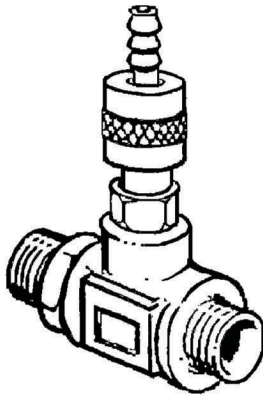


With EPDM O-Rings

Downstream chemical injector; requires low pressure to activate chemical flow.

SPECIFICATIONS

| | | |
|--------------------------------|------------------------------|---------------|
| Part Number | YAINJ18E | |
| Maximum Volume: | YAINJ18E | Up to 2.6 GPM |
| Maximum Pressure | 4000 PSI | |
| Maximum Temperature | 190°F | |
| Port Sizes: (Inlet and Outlet) | 3/8 in. NPT-M | |
| Hose Barb Size | 5/16 in. | |
| Weight | .5 lb. | |
| Material | Brass, Stainless Steel, EPDM | |



PARTS LIST

YAINJ18E Y21.0154.18
ADJUSTABLE INJECTOR 3/8NPT-M with EPDM O-Rings

| NO. | PART NO. | DESC. | KIT | QTY. |
|-----|-------------|--------------------------------|-----|------|
| 1. | Y21.0169.31 | Body 3/8NPT-M | | 1 |
| 2. | Y21.0002.51 | Nozzle, 1.8mm, SS, YAINJ18E | | 1 |
| | Y21.0004.51 | Nozzle, 2.1mm, SS, YAINJ21E | | 1 |
| | Y21.0157.51 | Nozzle, 2.3mm, SS, YAINJ23E | | 1 |
| 3. | Y21.0160.51 | Spring, Ball, SS | * | 1 |
| 4. | Y14.7420.01 | Ball, 7/32", SS A1316 | * | 1 |
| 5. | Y10.3049.18 | O-Ring, .208 x .070, EPDM | * | 1 |
| 6. | Y21.0161.31 | Nipple, M12 x M14 | | 1 |
| 7. | Y21.0158.51 | Spring, .591 x .276 x .032, SS | | 1 |
| 8. | Y10.3043.18 | O-Ring, .177 x .070, EPDM | * | 1 |
| 9. | Y21.0155.31 | Adjustable Hose Barb | | 1 |
| 10. | Y21.0165.51 | Snap Ring, 1.5 mm | | 1 |
| 11. | Y21.0102.31 | Knob | | 1 |
| * | YKITAINJE | REPAIR KIT (Y21.0152.24) | | |

