



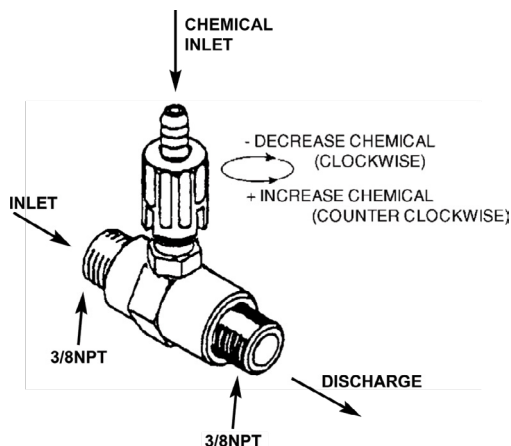
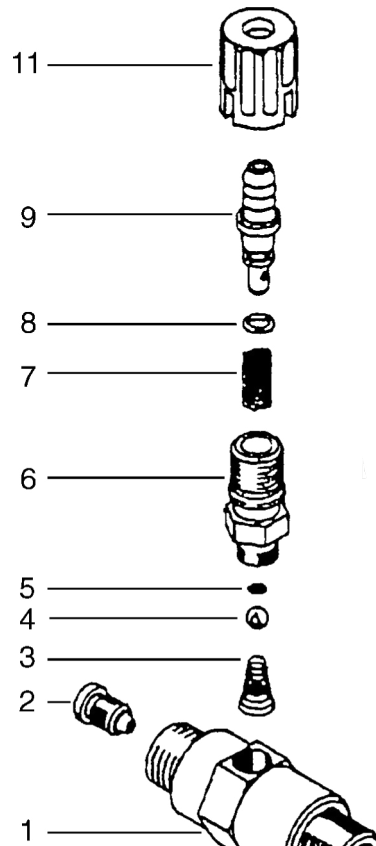
SPECIFICATIONS

MODEL	Y21015418	Y21015421	Y21015423
Flow Rate	Up to 2.6 GPM	2.6 to 4.0 GPM	4.0 to 5.3 GPM
Maximum Pressure	3650 PSI		
Inlet	3/8" NPT-M		
Outlet	3/8" NPT-M		
Max. Temperature	195° F		
Hose Barb	5/16"		
Weight	.38 lbs.		
Materials	Brass, Stainless Steel, Viton		

Downstream chemical injector; requires low pressure to activate chemical flow

DIMENSIONS

Item	Part No.	Description	QTY.
1	Y21016931	Injector Body, 3/8" NPT-M	1
2	Y21000251	Nozzle, Ø1.8 mm (Y21015418)	1
	Y21000451	Nozzle, Ø2.1 mm (Y21015421)	1
	Y21015751	Nozzle, Ø2.3 mm (Y21015423)	1
3	Y21016051	Spring, Conical	1
4	Y14742001	Ball, 7/32", 316SS	1
5	Y10304900	O-Ring, .102" CS x .070" CS, Viton	1
6	Y21017331	Nipple	1
7	Y21015851	Spring, SS, .032" x .630"	1
8	Y10304301	O-Ring, .176" ID x .070" CS, Viton	1
9	Y21015531	Hose Barb, Ø5/16"	1
11	Y21017184	Adjustment Knob, Plastic	1
*	Y21015224	Repair Kit	1



General Pump is a member of the Interpump Group

