

GENERAL PUMP *A member of the Interpump Group*

WM Series

Reverse Osmosis Pump - Solid Shaft

FEATURES

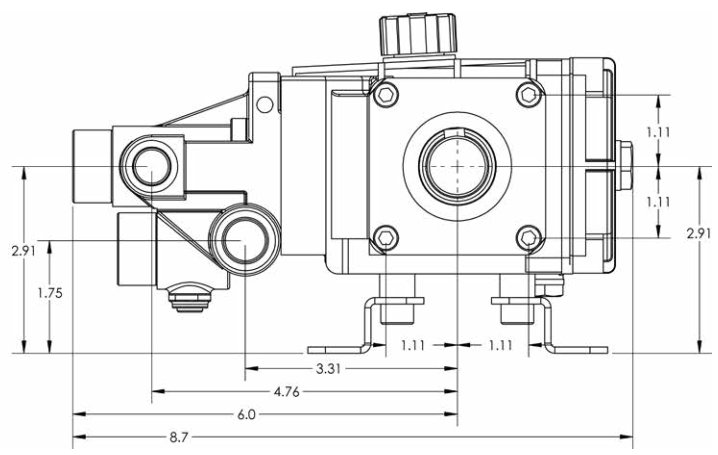
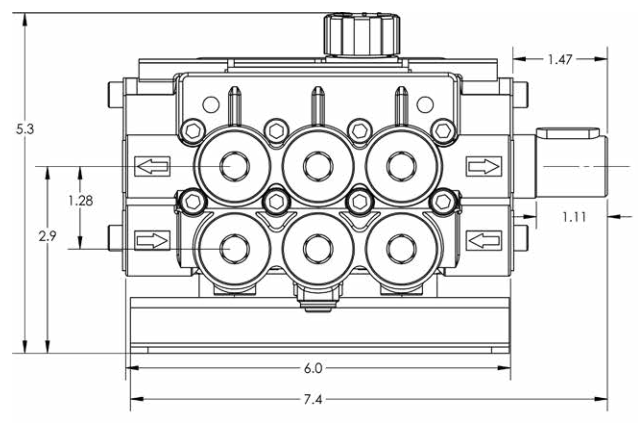
- 316 Stainless Steel Wet-End
- 300 Series Stainless Steel Fasteners
- Parallel Inlet and Outlet Valve Design for Efficiency and Easy Maintenance
- Corrosion Resistant Valve and Packing Design
- Innovative Wear Resistant High and Low Pressure Seals
- Dual Inlet and Outlet Porting for flexible plumbing options
- Anodized Crankcase for Corrosion Resistance
- Double ball bearing design for ultimate crankshaft support
- Left-handed crankshaft orientation available (add "L" to end of part number)



SPECIFICATIONS

| Pump Model | WM2515S | WM4215S |
|----------------------------|--------------------|-------------|
| Maximum Volume | 2.5 GPM | 4.2 GPM |
| Maximum Discharge Pressure | 1500 PSI | |
| Maximum Pump Speed | 1750 RPM | |
| Rated Inlet Pressure | -50 to -5 PSI | |
| Plunger Bore (in / mm) | .709 / 18 | |
| Plunger Stroke (in / mm) | .303 / 7.7 | .492 / 12.5 |
| Crankcase Oil Capacity | 12.0 oz | |
| Maximum Fluid Temperature | 140°F | |
| Inlet Port Thread | 1/2" NPT-F | |
| Discharge Port Thread | 3/8" NPT-F | |
| Shaft Diameter | .945 / 24 | |
| Weight | 13.5 lbs | |
| Dimensions | 8.7" x 7.8" x 5.3" | |

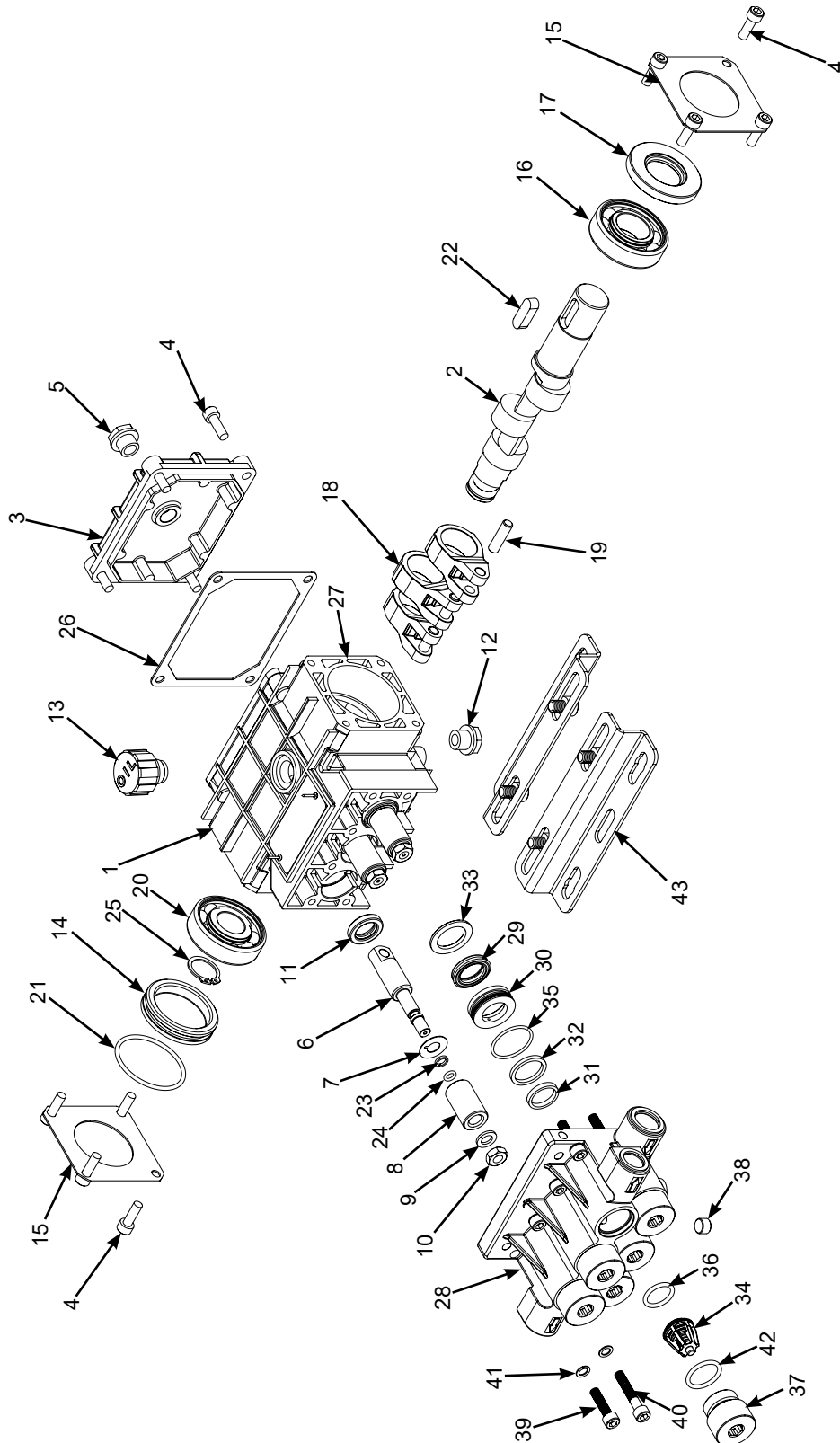
DIMENSIONAL DRAWING



WM Series

Solid Shaft

EXPLODED VIEW



WM Series

Solid Shaft

GENERAL PUMP *A member of the Interpump Group*

PARTS LIST

CRANKCASE ASSEMBLY

| Item | Part # | Description | QTY. |
|------|--------|---|------|
| 1 | 650000 | Crankcase (Case Only) | 1 |
| 2 | 650055 | Crankshaft, 24 mm, Solid, WM2515S | 1 |
| | 650042 | Crankshaft, 24 mm. Solid, WM4215S | |
| 3 | 650026 | Cover, Rear | 1 |
| 4 | 200005 | Screw, SHCS, M6 x 1.0 x 16 | 12 |
| 5 | 650025 | Site Glass, Cap | 1 |
| 6 | 650020 | Rod, Plunger | 3 |
| 7 | 650021 | Slinger | 3 |
| 8 | 650018 | Plunger, 18 mm | 3 |
| 9 | 650017 | Washer, Plunger Rod | 3 |
| 10 | 650016 | Nut, Plunger Rod | 3 |
| 11 | 710002 | Oil Seal | 3 |
| 12 | 650031 | Plug, Drain | 1 |
| 13 | 650032 | Cap, Oil | 1 |
| 14 | 650010 | Cover, Side | 1 |
| 15 | 650009 | Cover, Side | 2 |
| 16 | 147001 | Bearing, Crankshaft | 1 |
| 17 | 710022 | Seal, Oil, Crankshaft, 25mm x 52mm x 10mm | 1 |
| 18 | 650024 | Rod, Connecting | 3 |
| 19 | 650023 | Pin, Wrist | 3 |
| 20 | 147004 | Bearing, Crankshaft, .785 ID x 2.045 OD | 1 |
| 21 | 701133 | O-ring | 1 |
| 22 | 640059 | Key, 3/16 x 1-1/4 | 1 |
| 23 | 660024 | Ring, Anti-extrusion | 3 |
| 24 | 701501 | O-ring, 70 Duro, Viton, .208 ID x .070 CS | 3 |
| 25 | 650029 | Snap Ring | 1 |
| 26 | 650048 | Gasket, Rear Cover | 1 |

WET END ASSEMBLY

| Item | Part # | Description | QTY. |
|------|----------|--|------|
| 27 | 195033 | Crankcase Assembly (Includes 1-26), WM2515S | 1 |
| | 195034 | Crankcase Assembly (Includes 1-26), WM2515SL | |
| | 195022 | Crankcase Assembly (Includes 1-26), WM4215S | |
| | 195023 | Crankcase Assembly (Includes 1-26), WM4215SL | |
| 28 | 520055 | Manifold | 1 |
| 29 | 90220000 | Seal, Low Pressure | 3 |
| 30 | 520376 | Seal, Case, Low Pressure | 3 |
| 31 | 710010 | Seal, Glyd, 18mm | 3 |
| 32 | 710011 | Seal, Square, 18mm | 3 |
| 33 | 520375 | Seal, Retainer | 3 |
| 34 | 103042 | Assembly, Valve, 316 SS | 6 |
| 35 | 701023 | O-ring, 1.051 ID x .070 CS | 3 |
| 36 | 701115 | O-ring, .674 ID x .103 CS | 6 |
| 37 | 520057 | Plug, Valve | 6 |
| 38 | 520171 | Plug, 1/8-27 NPT, Hollow, Hex | 1 |
| 39 | 200025 | SCHS, M6 x 1.0 x 25mm | 4 |
| 40 | 200026 | SHCS, M6-1.0 x 35mm | 4 |
| 41 | 203510 | Washer, Lock | 8 |
| 42 | 701002 | O-ring, .799 ID x .103 CS | 6 |
| 43 | 540049 | Rail Kit | 1 |
| | | | |
| | | | |
| | | | |
| | | | |
| | | | |
| | | | |
| | | | |
| | | | |

REPAIR KITS

| KIT NO. | WM01 | WM02* |
|--------------------------------------|------------|--------------------------------|
| ITEM NO'S INCLUDED IN KIT | 34, 36, 42 | 23, 24, 29, 30, 31, 32, 33, 35 |
| NUMBER OF ASSEMBLIES IN KIT | 6 | 3 |
| NUMBER OF CYLINDERS KIT WILL SERVICE | 3 | 3 |

*Kit WM02 includes seal insertion tools 660062 & 660063

TORQUE SPECS*

| ITEM | Ft-lbs | Nm |
|------|--------|------|
| 4 | 7.3 | 9.9 |
| 10 | 7.3 | 9.9 |
| 37 | 22 | 29.8 |
| 39 | 8.0 | 10.8 |
| 40 | 8.0 | 10.8 |

*Decrease torque by 20% if threads are lubricated.

