

**GENERAL PUMP** *A member of the Interpump Group*

# WM Series

Reverse Osmosis Pump - Solid Shaft

**FEATURES**

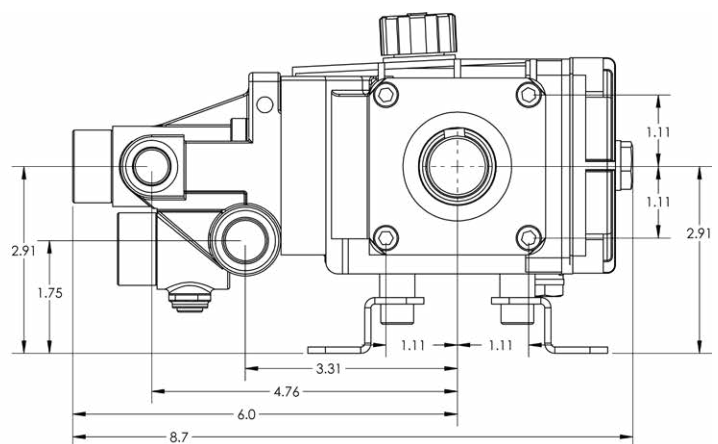
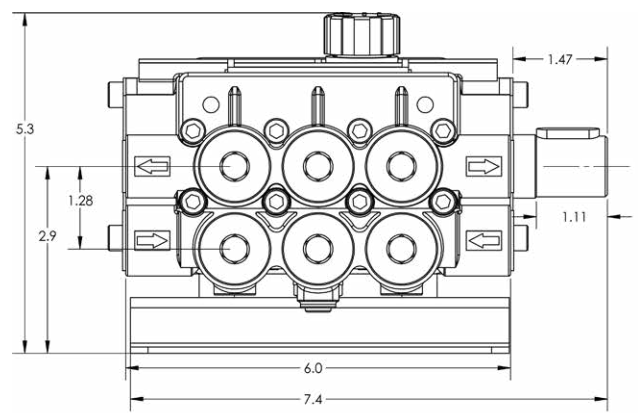
- 316 Stainless Steel Wet-End
- 300 Series Stainless Steel Fasteners
- Parallel Inlet and Outlet Valve Design for Efficiency and Easy Maintenance
- Corrosion Resistant Valve and Packing Design
- Innovative Wear Resistant High and Low Pressure Seals
- Dual Inlet and Outlet Porting for flexible plumbing options
- Anodized Crankcase for Corrosion Resistance
- Double ball bearing design for ultimate crankshaft support
- Left-handed crankshaft orientation available (add "L" to end of part number)



**SPECIFICATIONS**

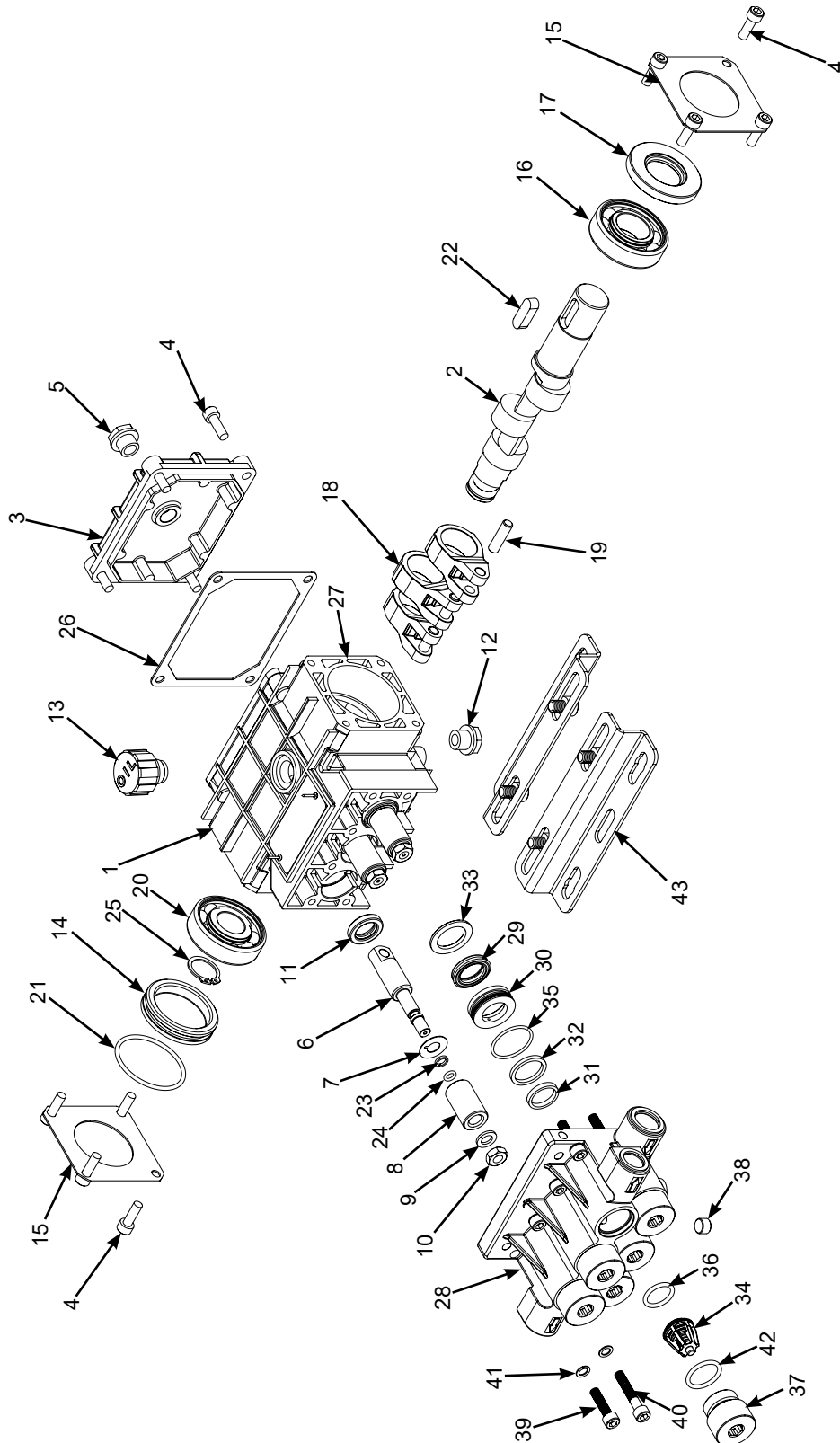
Pump Model	WM2515S	WM4215S
Maximum Volume	2.5 GPM	4.2 GPM
Maximum Discharge Pressure	1500 PSI	
Maximum Pump Speed	1750 RPM	
Rated Inlet Pressure	-50 to -5 PSI	
Plunger Bore (in / mm)	.709 / 18	
Plunger Stroke (in / mm)	.303 / 7.7	.492 / 12.5
Crankcase Oil Capacity	12.0 oz	
Maximum Fluid Temperature	140°F	
Inlet Port Thread	1/2" NPT-F	
Discharge Port Thread	3/8" NPT-F	
Shaft Diameter	.945 / 24	
Weight	13.5 lbs	
Dimensions	8.7" x 7.8" x 5.3"	

**DIMENSIONAL DRAWING**



# WM Series Solid Shaft

## EXPLODED VIEW



# WM Series

## Solid Shaft

**GENERAL PUMP** A member of the Interpump Group

### PARTS LIST

#### CRANKCASE ASSEMBLY

Item	Part #	Description	QTY.
1	650000	Crankcase (Case Only)	1
2	650055	Crankshaft, 24 mm, Solid, WM2515S	1
	650042	Crankshaft, 24 mm. Solid, WM4215S	
3	650026	Cover, Rear	1
4	200005	Screw, SHCS, M6 x 1.0 x 16	12
5	650025	Site Glass, Cap	1
6	650020	Rod, Plunger	3
7	650021	Slinger	3
8	650018	Plunger, 18 mm	3
9	650017	Washer, Plunger Rod	3
10	650016	Nut, Plunger Rod	3
11	710002	Oil Seal	3
12	650031	Plug, Drain	1
13	650032	Cap, Oil	1
14	650010	Cover, Side	1
15	650009	Cover, Side	2
16	147001	Bearing, Crankshaft	1
17	710022	Seal, Oil, Crankshaft, 25mm x 52mm x 10mm	1
18	650024	Rod, Connecting	3
19	650023	Pin, Wrist	3
20	147004	Bearing, Crankshaft, .785 ID x 2.045 OD	1
21	701133	O-ring	1
22	640059	Key, 3/16 x 1-1/4	1
23	660024	Ring, Anti-extrusion	3
24	701501	O-ring, 70 Duro, Viton, .208 ID x .070 CS	3
25	650029	Snap Ring	1
26	650048	Gasket, Rear Cover	1

#### WET END ASSEMBLY

Item	Part #	Description	QTY.
27	195033	Crankcase Assembly (Includes 1-26), WM2515S	1
	195034	Crankcase Assembly (Includes 1-26), WM2515SL	
	195022	Crankcase Assembly (Includes 1-26), WM4215S	
	195023	Crankcase Assembly (Includes 1-26), WM4215SL	
28	520055	Manifold	1
29	90220000	Seal, Low Pressure	3
30	520376	Seal, Case, Low Pressure	3
31	710010	Seal, Glyd, 18mm	3
32	710011	Seal, Square, 18mm	3
33	520375	Seal, Retainer	3
34	103042	Assembly, Valve, 316 SS	6
35	701023	O-ring, 1.051 ID x .070 CS	3
36	701115	O-ring, .674 ID x .103 CS	6
37	520057	Plug, Valve	6
38	520171	Plug, 1/8-27 NPT, Hollow, Hex	1
39	200025	SCHS, M6 x 1.0 x 25mm	4
40	200026	SHCS, M6-1.0 x 35mm	4
41	203510	Washer, Lock	8
42	701002	O-ring, .799 ID x .103 CS	6
43	540049	Rail Kit	1

### REPAIR KITS

KIT NO.	WM01	WM02*
ITEM NO'S INCLUDED IN KIT	34, 36, 42	23, 24, 29, 30, 31, 32, 33, 35
NUMBER OF ASSEMBLIES IN KIT	6	3
NUMBER OF CYLINDERS KIT WILL SERVICE	3	3

\*Kit WM02 includes seal insertion tools 660062 & 660063

### TORQUE SPECS\*

ITEM	Ft-lbs	Nm
4	7.3	9.9
10	7.3	9.9
37	22	29.8
39	8.0	10.8
40	8.0	10.8

\*Decrease torque by 20% if threads are lubricated.

