

VS Series

FEATURES

- Triplex Plunger Pump, available in 5 flows
- Double pressure packings
- Pressure packing integrated cooling system
- Horizontally fitted in-line valves
- Splash lubrication
- Gear ratios: 1500 RPM=2.037:1, 1800 RPM=2.417:1, 2200=3.04:1
- *Solid shaft only for belt-driven applications*



MATERIALS

- High resistance stainless steel manifold
- Solid ceramic plungers
- Forged steel connecting rods
- Stainless steel valves
- Tempered steel alloy crankshaft
- Cast iron crankcase
- Double rim roller bearings
- Proprietary seal technology

COMMON SPECIFICATIONS

- Maximum Inlet Pressure: 75 PSI
- Minimum Inlet Pressure:45 PSI
- Maximum Fluid Temperature: *85° F
- Inlet Port Thread: 1-1/2 G
- Discharge Port Thread: 3/4" HP Special
- Shaft Diameter: 1.969"/50 mm
- Stroke: 2.362"/60 mm
- Pump Dimensions: 33.6" x 23.8" x 12.45"
- Crankcase Oil Capacity, with gearbox: 338 oz. (10 liters)
..... (use GP Series 220 Oil)
- Shipping Weight: 618 lbs./280 kg

Product Group: V

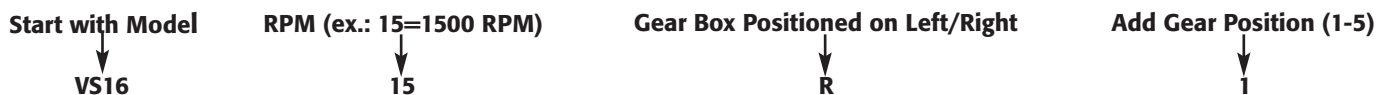
*Please consult technical guide or GP Sales Representative for Temperature/Inlet Pressure Information.

Note: All models come standard with crankshaft on right side (when facing manifold), specify "L" after part number when ordering left hand version.

MODEL	GPM/LPM	PSI/BAR	RPM	BORE	HP
VS16	7.1 GPM/27 LPM	21750 PSI/1500 BAR	1500 RPM	.945 in./16 mm	105.6
VS18	9.0 GPM/34 LPM	17400 PSI/1200 BAR	1500 RPM	.709 in./18 mm	107.3
VS20	11.1 GPM/42 LPM	13050 PSI/900 BAR	1500 RPM	.787 in./20 mm	99.2
VS22	13.2 GPM/50 LPM	10800 PSI/750 BAR	1500 RPM	.868 in./22 mm	99.6
VS24	15.8 GPM/60 LPM	8700 PSI/600 BAR	1500 RPM	.945 in./24 mm	94.2

How to order/Examples of Part Numbers:

When ordering with gear box:



So the Part Number in the Above Example: **VS1615R1**
 (Model is VS16, with an RPM of 1500, gear box positioned on right side of pump, in the first position.)

PUMP OPTIONS

- SAE-J 744-C hollow shaft P.T.O. for direct mount hydraulic drive available
- Available with external gear box (1500, 1800 and 2200 RPM)



General Pump
 is a member of
 The Interpump Group



ACCESSORIES

REGULATORS

■ **RV14/800**
RV14/1500

26.4 GPM
17400 PSI



■ **PNRV14/800**
PNRV14/1500

26.4 GPM
11600/21750 PSI



SAFETY DEVICES

■ **SV2**

50.0 GPM
1450-8700PSI



■ **S1503/S1510**

2.6-26.4 GPM
6960-10150 PSI



■ **SV12**

26.4 GPM
11600-21750 PSI



DUMP VALVES

■ **FPN12**

21.0 GPM
3050 PSI



■ **FPN14**

21.0 GPM
21750 PSI



MISCELLANEOUS

GUNS / LANCES

■ **P12**

21.0 GPM
21750 PSI



■ **P45/P47**

21.0 GPM
7250 PSI



■ **PS12**

21.0 GPM
21750 PSI
Submersible



■ **VP12**

21.0 GPM
21750 PSI
Foot Valve



■ **Y7K**

7000 PSI
Rotating
Nozzle



■ **320004**

20000 PSI
Pressure
Gauge



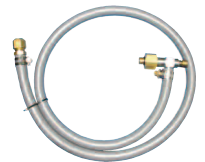
■ **ZRMAX**

1.4-13.9 GPM
11000/22000 PSI
Rotating Nozzle



■ **190448**

Oil Drain Kit



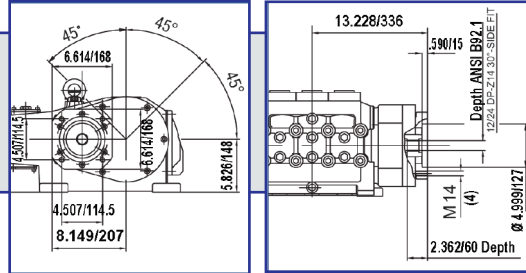
VS series

Technical Details

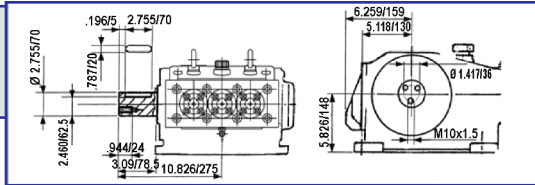


DRIVE OPTIONS

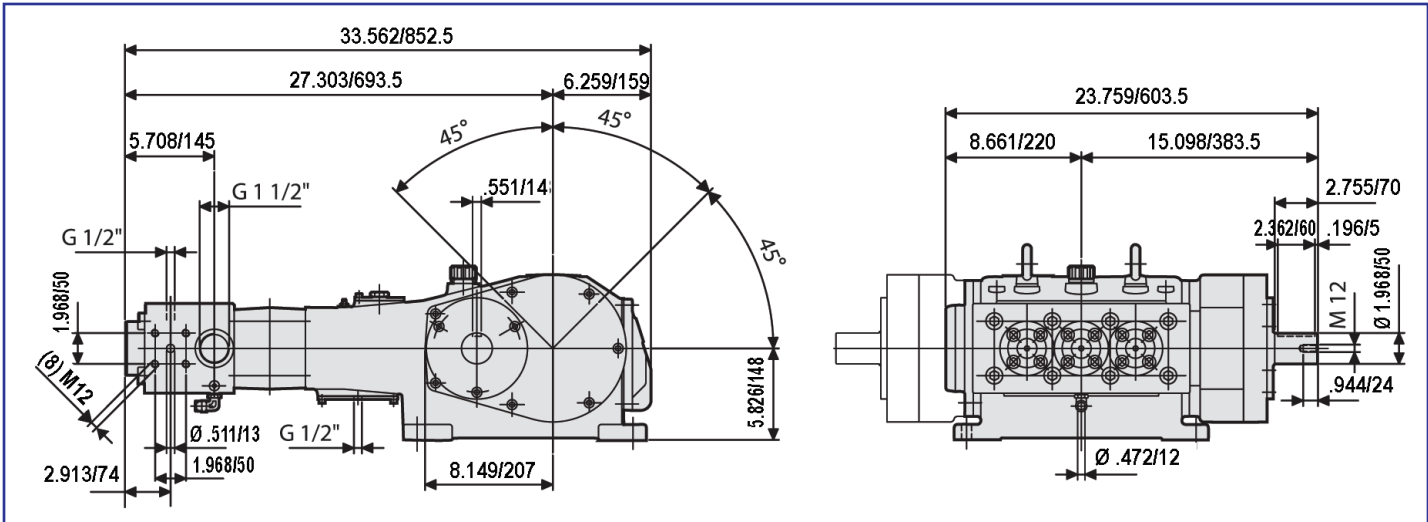
SAE-J 744-C hollow shaft P.T.O. for direct mount hydraulic drive.



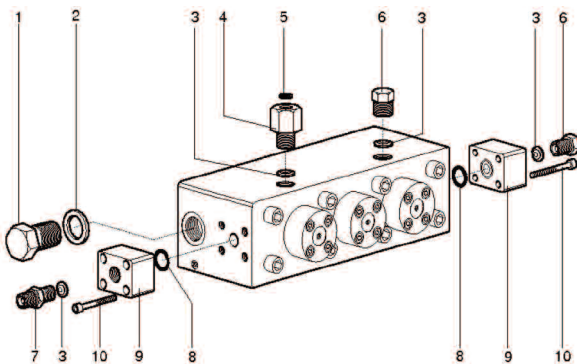
Direct drive without gearbox.



OVERALL DIMENSIONS



CONNECTION KITS



KIT	CODE	KIT	CODE	KIT	CODE
F1125	A	F1127	E	F1131	I
F1126	C	F1128	F	F1132	L
F1103	C	F1129	G	F1133	M
F1104	C	F1130	H	F1300	K

Note: F1300 includes fittings required for NPT conversion when operating under 15,000 PSI.

Item	P/N	Description	Kit	Kit Qty.
1	680093	1 1/2" G Plug	A-K	1-1
	520146	1 1/2" G-1 1/2" NPT-F	K	1
2	680085	1 1/2" Seal Ring	A-K	1-2
3	680086	1/2" Conical Seal-2 Pc. Included w/Pump	B-C-D	1-1-1
Accessory Ports - High Pressure G Special Fittings Must Utilize Conical Seal				
4	680038	Gauge Fitting 1/2" G	C	1
5	680081	Seal Washer for 680038	C	1
6	F084200430	Male Gauge Fitting (metric)	B	1
	680154	1/2" G Spec.-1/2" NPT-F For Use Under 15000 PSI	K	2
	680136	1/2" G Spec.-1/2" NPT-M For Use Under 15000 PSI	K	1
	680125	1/2" G Spec.-HIP LF9, 13/16", 16TPI, 60 Degree Cone	None	
7	680089	1/2" Plug-Special G Thread	D-K	1-2
8	F881010200	O-ring, 18.64 x 3.53	E-K	1-2
9	F073200260	Mounting Block, 3/4"-G	E-K	1-2
10	F871131308	Mounting Bolt, M12 x 55 Special	E-K	4-8
11	680132	3/4" Conical Seal-2 Pcs. Included w/Pump	F-G-H-I-L-M	1
12	680133	3/4" Plug-Special G Thread	F	1
13	Discharge Ports - High Pressure G Special Fittings Must Utilize Conical Seal			
	520277	3/4" G Spec.-3/4" NPT-F For Use Under 15000 PSI	K	2
	680156	3/4" G Spec.-3/4" NPT-M For Use Under 15000 PSI	K	1
	680126	3/4" G Spec.-HIP LF9, 13/16", 16TPI, 60 Degree Cone	None	
	639321	3/4" NPT-M x 1"-12	None	
	F084200610	3/4" G Special - G3/8"	G	1
	F084200620	3/4" G Special - M20 x 1.5	H	1
	F084200630	3/4" G Special - M22 x 1.5	I	1
	F084200370	3/4" G Special - M24 x 1.5	L	1
	F084200640	3/4" G Special - M36 x 1.5	M	1