

ACCESSORIES

REGULATORS

■ **RV14/1200VH**

7.9 GPM
17400 PSI



■ **RV14/1500A**

7.9 GPM
21750 PSI



■ **PNRV14/VH**

26.4 GPM
17400 PSI



SAFETY DEVICES

■ **SV2**

50.0 GPM
1450-8700PSI



■ **S1503/S1510**

2.6-26.4 GPM
6960-10150 PSI



■ **SV12**

26.4 GPM
11600-21750 PSI



DUMP VALVES

■ **FPN12**

21.0 GPM
3050 PSI



■ **FPN14**

21.0 GPM
21750 PSI



GUNS / LANCES

■ **P12**

21.0 GPM
21750 PSI



■ **P45/P47**

21.0 GPM
7250 PSI



■ **PS12**

21.0 GPM
21750 PSI
Submersible



MISCELLANEOUS

■ **320004**

20000 PSI
Pressure
Gauge



■ **VP12**

21.0 GPM
21750 PSI
Foot Valve



■ **ZRMAX**

1.4-13.9 GPM
11000/22000 PSI
Rotating Nozzle



■ **Y7K**

7000 PSI
Rotating
Nozzle



■ **190448**

Oil Drain Kit

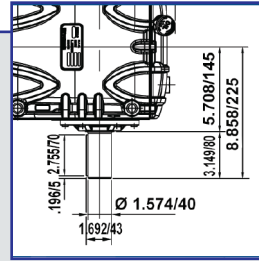
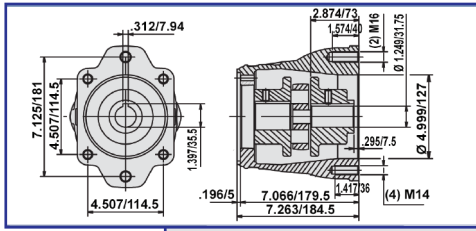


Ref 300851 Rev C
04-16

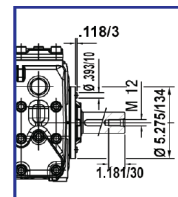
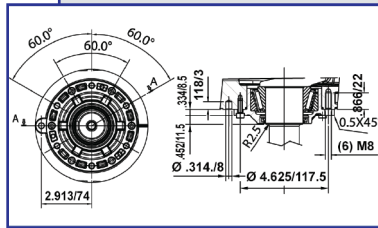




DRIVE OPTIONS

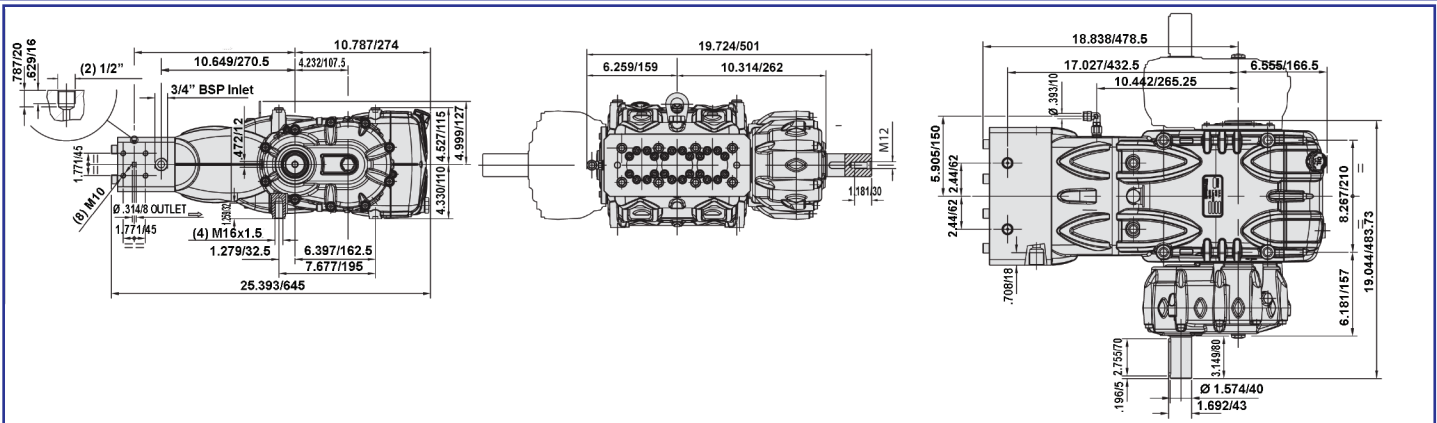


Bell housing and coupling for SAE-C hydraulic drive.

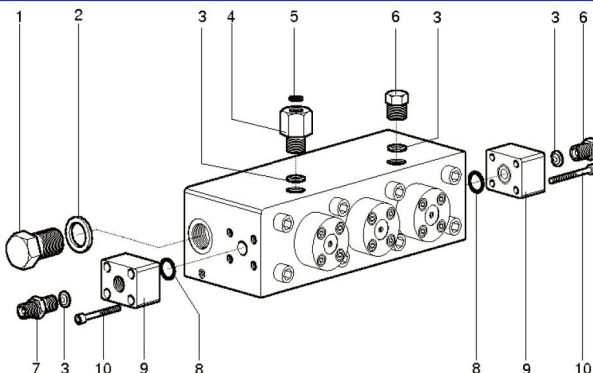


Direct drive without gearbox.

OVERALL DIMENSIONS



CONNECTION KITS



KIT	CODE
F1041	A
F1103	B
F1104	C
F1105	D

KIT	CODE
F1106	E
F1107	F
F1108	G
F1109	H

KIT	CODE
F1110	I
F1257	L
F1301	K

Item	P/N	Description	Kit	Kit Qty.
1	680090	3/4" G Plug	A-K	1-1
	680059	3/4" G-3/4" NPT-F	K	1
	680062	3/4" G-3/4" NPT-M	K	1
2	680082	3/4" Seal Ring	A-K	1-2
3	680086	1/2" Conical Seal-4 Pc. Included w/Pump	B-C-D-E-F-G-H-I	1
4	680038	Gauge Fitting 1/2" G	B	1
5	680081	Seal Washer For 680038	B	1
6	680089	1/2" Plug-Special G Thread	C-K	1-2
7	Discharge Ports - All 1/2" G Special Fittings Must Utilize 680086 Conical Seal			
	680154	1/2" G Spec.-1/2" NPT-F For Use Under 15000 PSI	K	2
	680136	1/2" G Spec.-1/2" NPT-M For Use Under 15000 PSI	K	1
	680125	1/2" G Spec.-HIP LF9, 13/16", 16TPI, 60 Degree Cone	None	
	F084200090	1/2" G Special - G1/4"	D	1
	F073200150	1/2" G Special - G3/8"	E	1
	F084200580	1/2" G Special - M14 x 1.5	F	1
	F084200590	1/2" G Special - M20 x 1.5	G	1
	F084200600	1/2" G Special - M22 x 1.5	H	1
	F084200550	1/2" G Special - M24 x 1.5	I	1
8	F881010209	O-ring, 12.29 x 3.53	L-K	1-2
9	F073200300	Mounting Block, 1/2" - G	L-K	1-2
10	F871125310	Mounting Bolt, M10 x 50 Special	L-K	4-8

Note: F1301 includes fittings required for NPT conversion when operating under 15,000 PSI.

Ref 300851 Rev B
04-16