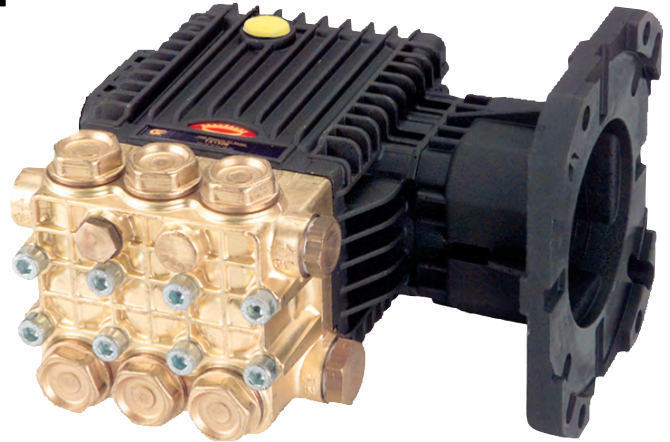


FEATURES

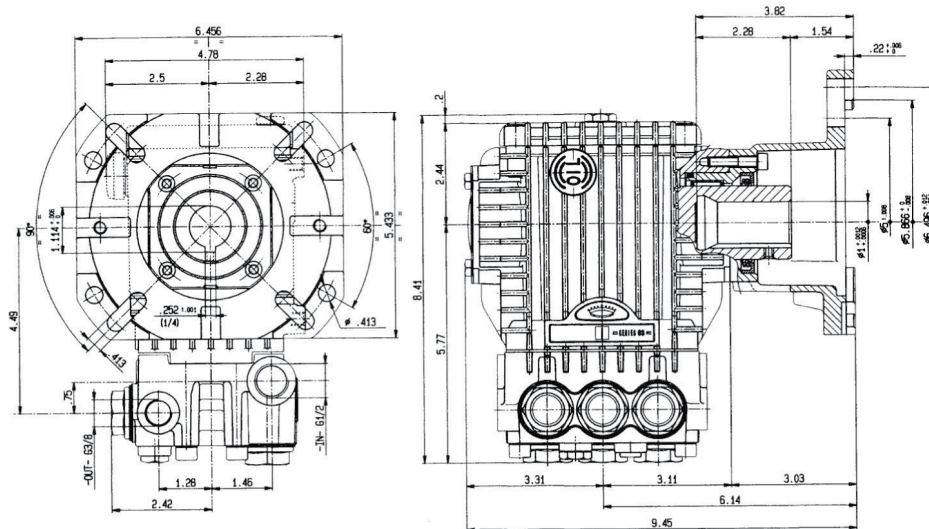
- Flanged for direct couple to gasoline engines (SAE J609)
- Set screw for key way
- Oversized bearings for long life
- New generation seal system for longer life
- Forged brass manifold



SPECIFICATIONS

Pump Model	TX1506G8	TX1508G8	TX1509G8	TX1510G8
Maximum Volume	2.6 GPM	3.0 GPM	3.5 GPM	4.0 GPM
Maximum Discharge Pressure	3000 PSI			
Horsepower	8.0 GHP	9.2 GHP	10.8 GHP	12.3 GHP
Maximum Pump Speed	3400 RPM			
Maximum Inlet Pressure	125 PSI			
Minimum Inlet Pressure	Flooded			
Plunger Bore (in / mm)	.591 in. / 15 mm			
Plunger Stroke (in / mm)	.256 in. / 6.5 mm	.315 in. / 8 mm	.355 in./9.0 mm	.394 in. / 10 mm
Oil Capacity	14.0 oz			
Maximum Fluid Temperature	165°F			
Inlet Port Thread	1/2" BSP-F			
Discharge Port Thread	3/8" BSP-F			
Shaft Diameter	1.0 in. / 25.4 mm			
Weight	18 lbs			
Dimensions	8.4 x 8.4 x 6.5 in			

DIMENSIONAL DRAWING



TRIPLEX

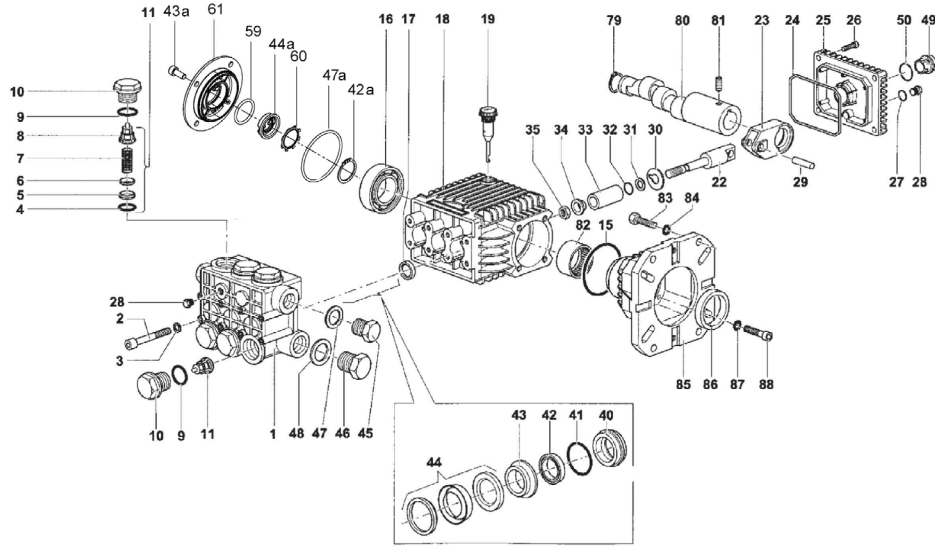
TRIPLEX



General Pump is a member of the Interpump Group

Ref 300196 Rev. F
07-22





PARTS LIST

ITEM	PART NO.	DESCRIPTION	QTY.	ITEM	PART NO.	DESCRIPTION	QTY.	ITEM	PART NO.	DESCRIPTION	QTY.
1.	63120041	Manifold, 15 mm	1	27.	701013	O-ring	1	47a.	90389800	O-ring Ø 56.82x2.62	1
2.	99319200	Screw, M8 x 65	8	28.	98204100	Plug, 1/4" G	2	48.	96751400	Washer, M21.5	1
3.	96701400	Lockwasher, M8.4	8	29.	97733500	Connecting Rod Pin	3	49.	63210051	Oil Level Indicator	1
4.	701115	O-ring	6	30.	96707500	Flinger Washer	3	50.	90405100	O-ring	1
5.	36200366	Valve Seat	6	31.	660024	Anti-extrusion Ring	3	59.	90385900	O-ring Ø 25.07x2.62	1
6.	36200176	Valve Plate	6	32.	701009	O-ring	3	60.	90067100	Stop Ring	1
7.	94737600	Spring	6	33.	52040009	Ceramic Plunger, 15mm	3	61.	58150122	Side Cover	1
8.	36202551	Valve Cage	6	34.	44211570	Bushing	3	79.	90063500	Retaining Ring	1
9.	701002	O-ring	6	35.	92221600	Nut, M8	3	80.	63027765	Crankshaft, 6.5	1
10.	98222600	Valve Cap	6	40.	63080070	Seal Retn'r, 15mm	3		63028065	Crankshaft, 8	1
11.	36711501	Valve Assembly	6	41.	90360800	O-ring	3		63028265	Crankshaft, 9	1
16.	91832900	Ball Bearing	2	42.	90260800	Seal, LP, 15mm	3		63028465	Crankshaft, 10	1
17.	90159500	Oil Seal	3	42a.	90063500	Stop Ring Ø 25	1	81.	99179000	Screw, M6x6	1
18.	63010022	Crankcase	1	43.	63216070	Int. Ring, 15mm	3	82.	91856800	Roller Bearing	1
19.	98210300	Oil Dip Stick	1	43a.	99183700	Screw M6x14	8	83.	99334600	O-ring, 3/8 x 1"	4
22.	63050066	Plunger Guide	3	44.	90261200	Packing Assy, 15mm	3	84.	96710400	Washer	4
23.	63030022	Connecting Rod	3	44a.	53210851	Oil Level Indicator	1	85.	10051822	Flange, 1", Gas Engine	1
24.	90392000	O-ring, Cover	1	45.	98210000	Plug, 3/8" G	1	86.	9016900	Oil Seal	1
25.	63160022	Rear Crankcase Cover	1	46.	98217600	Plug, 1/2" G	1	87.	203510	Washer	4
26.	99183700	Screw, M6 x 14	4	47.	96738000	Washer, M17.5	1	88.	99191200	Screw, M6 x 30	4

* 53150001 Oil Level Indicator Assembled W/O Screws and O-ring

REPAIR KITS

KIT NO.	K123	K124	K159	K160	K162	K164	K166
ITEM NO's INCLUDED IN KIT	4, 5, 6, 7, 8 (11)	9, 10	17	42, 44	40	43	40, 41, 42, 43, 44
NUMBER OF ASSEMBLIES IN KIT	6	6	3	3	3	3	1
NUMBER OF CYLINDERS KIT WILL SERVICE	3	3	3	3	3	3	1

TORQUE SPECS*

Pos.	Ft/lb	Nm
2	14.7	20
10	95.9	130
12	7.3	10
26	7.3	10
28	14.7	20
35	11.0	15
45	29.4	40
46	29.4	40
83	14.7	20
88	7.3	10

* Decrease torque by 20% if threads are lubricated

WARNING: High Pressure Systems require a primary pressure regulating device (i.e. regulator, unloader) and a secondary pressure relief device (i.e. pop-off valve, relief valve). Failure to install such relief devices properly could result in personal injury or damage to pump or property. GP does not assume any liability or responsibility for the operation of the user's high pressure system.



WARNING: This product can expose you to chemicals including lead, which is known to the state of California to cause cancer and birth defects or other reproductive harm. For more information, go to www.P65Warnings.ca.gov

