

**FEATURES**

- Built-in Pressure Trapping Unloader and Injector
- Next Generation Packings for Exceptional Seal Life
- Solid White Ceramic Plungers
- Direct-Drive for Convenience and Durability
- Oversized Connecting Rods

**SPECIFICATIONS\***

Pump Model	TX1508G8UIA	TX1509G8UIA	TX1510G8UIA
Maximum Volume	3.0 GPM	3.5 GPM	4.0 GPM
Maximum Pressure	3500 PSI		
Maximum RPM	3400 RPM		
Maximum Inlet Pressure	125 PSI		
Minimum Inlet Pressure	3 ft (2.6 in Hg)		
Maximum Fluid Temperature	165° F		
Bore (in / mm)	.591 in / 15 mm		
Stroke (in / mm)	.315 in / 8mm	.355 in / 9 mm	.394 in / 10 mm
Oil Capacity	14.0 oz		
Inlet Port Thread	1/2"-NPT-M		
Discharge Port Thread	3/8"-NPT-M		
Shaft Diameter	1" - Hollow		
Motor Flange	J609-b		
Weight	18.2 lb		
Dimension-inches-Nominal	10.1 x 9.6 x 10.4		

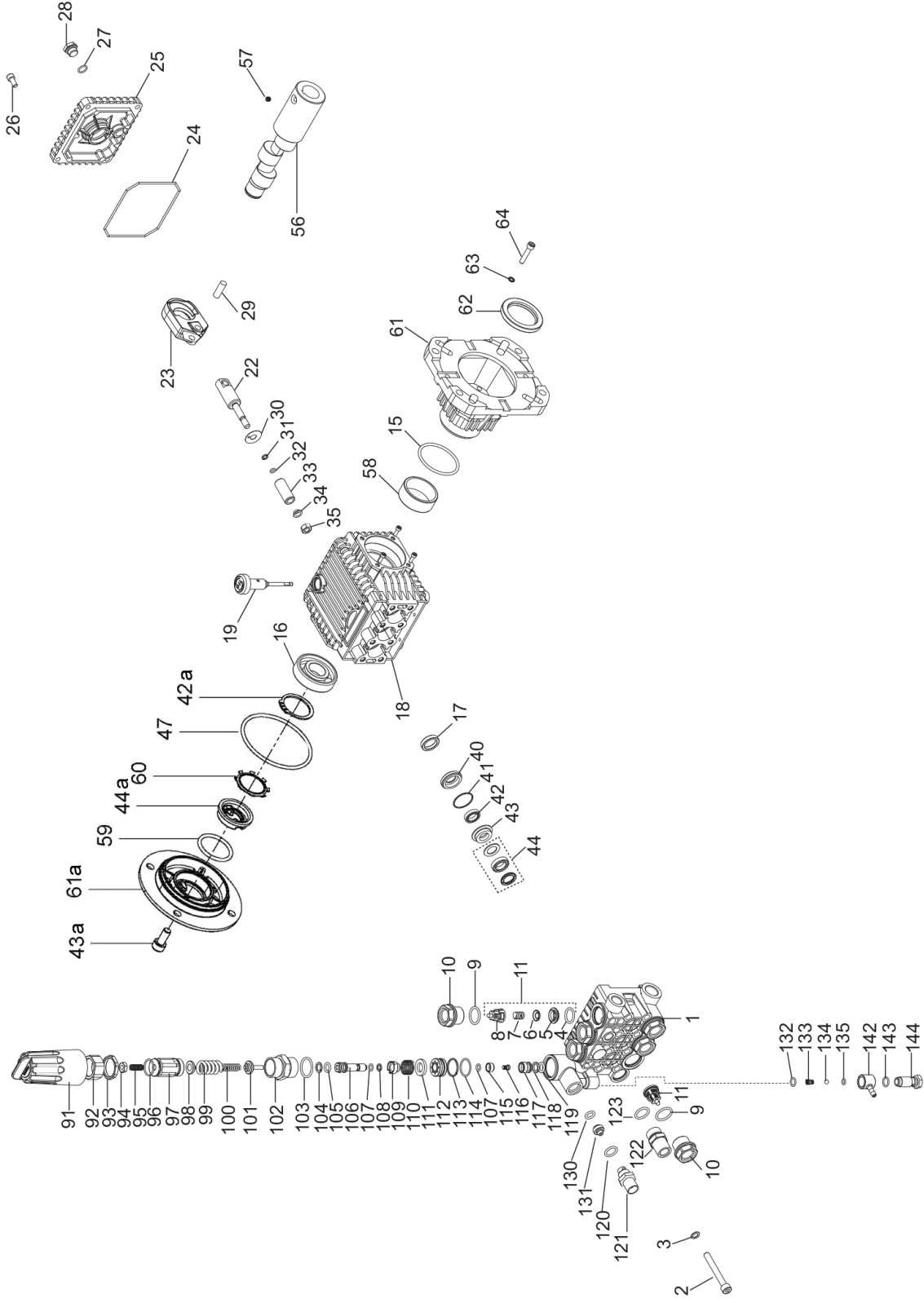
\*Dimensions and/or specifications subject to change without notice

TRIPLEX

TRIPLEX

# TX Series 63 UI

Direct Drive Triplex Plunger Pump



# PART LIST

Item	Part no.	Description	Qty	Item	Part no.	Description	Qty	Item	Part no.	Description	Qty
1	63120741	Manifold, 15 mm, LH, NPT	1	42	90260800	Seal, LP, 15mm	3	103	90385700	O-ring	1
2	99319200	Screw, M8 x 65	8	42a	90063500	Stop Ring Ø 25	1	104	90505200	Anti-Ext ring	1
3	96701400	Lockwasher, M8.4	8	43	63216070	Int. Ring, 15mm	3	105	90382000	O-ring	1
4	701115	O-ring	6	43a	99183700	Screw M6x14	3	106	36323470	Sleeve	1
5	36200366	Valve Seat	6	44	90261200	Packing Assy, 15mm	3	107	90357500	O-ring	2
6	36711501	Valve Plate	6	44a	53210851	Oil Level Indicator	1	108	90502500	Anti-Ext ring	1
7	94737600	Spring	6	47	90389800	O-ring Ø 56.82x2.62	1	109	36323070	Spacer	1
8	36202551	Valve Cage	6	56	63028065	Crankshaft, 8mm (1")	1	110	94748500	Spring	1
9	701002	O-ring	6	63028265	Crankshaft, 9mm (1")	1	111	36323151	Valve	1	
10	98222600	Valve Cap	6	63028465	Crankshaft, 10mm (1")	1	112	36322970	Valve guide	1	
11	36711501	Valve Assembly	6	57	99179000	Screw, M6 x 6	1	113	90360000	O-ring	1
16	91833100	Ball Bearing	1	58	91856800	Roller bearing	1	114	90514400	Anti-Ext ring	1
17	90159500	Oil Seal	3	59	90385900	O-ring Ø 25.07x2.62	1	115	36319066	Spherical valve	1
18	63010022	Crankcase	1	60	90067100	Stop Ring	1	116	99150900	Screw	1
19	98210300	Oil Dip Stick	1	61	10051822	Flange 1", gas engine	1	117	36316466	Seat	1
22	63050066	Plunger Guide	3	61a	58150122	Side Cover	1	118	701614	O-ring	1
23	63030022	Connecting Rod	3	62	90169000	Oil Seal	1	119	90506500	Anti-Ext ring	1
24	90392000	O-ring, Cover	1	63	96693800	Washer	4	120	90383200	O-ring	1
25	63160122	NEW Rear Crankcase Cover	1	64	99191200	Screw, M6 x 30	4	121	10065170	Nipple, Disch - 3/8"NPT-M	1
26	99183700	Screw, M6 x 14	4	91	36322151	Handle (Black)	1	122	36333370	Inlet Fitting	1
27	701013	O-ring	1	92	36318670	Locking sleeve	1	123	701115	O-ring	1
28	98204100	Plug, 1/4" G	1	93	92293500	Locking nut	1	130	701614	O-ring	1
29	97733500	Connecting Rod Pin	3	94	92221800	Nut	1	131	10007666	Nozzle 2.2mm	1
30	96707500	Flinger Washer	3	95	99305400	Set screw	1	132	701012	O-ring	1
31	660024	Anti-extrusion Ring	3	96	701019	O-ring	1	133	94821700	Conical spring	1
32	701009	O-ring	3	97	36318570	Regulator knob	1	134	97478200	Ball	1
33	52040009	Ceramic Plunger, 15mm	3	98	36316970	Spring seat	1	135	701501	O-ring	1
34	44211570	Bushing	3	99	94743800	Spring (3500 PSI)	1	142	36260451	Fixed Injector	1
35	92221600	Nut, M8	3	100	94734500	Spring	1	143	701013	O-ring	1
40	63080070	Seal Retn'r, 15mm	3	101	36323370	Stem	1	144	36256370	Banjo bolt, Injector	1
41	90360800	O-ring	3	102	36322870	Guide bushing	1				

\* 53150001 Oil Level Indicator Assembled W/O Screws and O-ring

# REPAIR KITS

# TORQUE SPECS\*

Kit No.	K123	K124	K159	K160	K162	K164	K166	K137	K235	K236	K237
Items in Kit	4 - 8 (11)	9, 10	17	42, 44	40	43	40 - 44	104 - 119	91 - 103	91 - 119	132 - 144
Pcs. in Kit	6	6	3	3	3	3	1	1	1	1	1

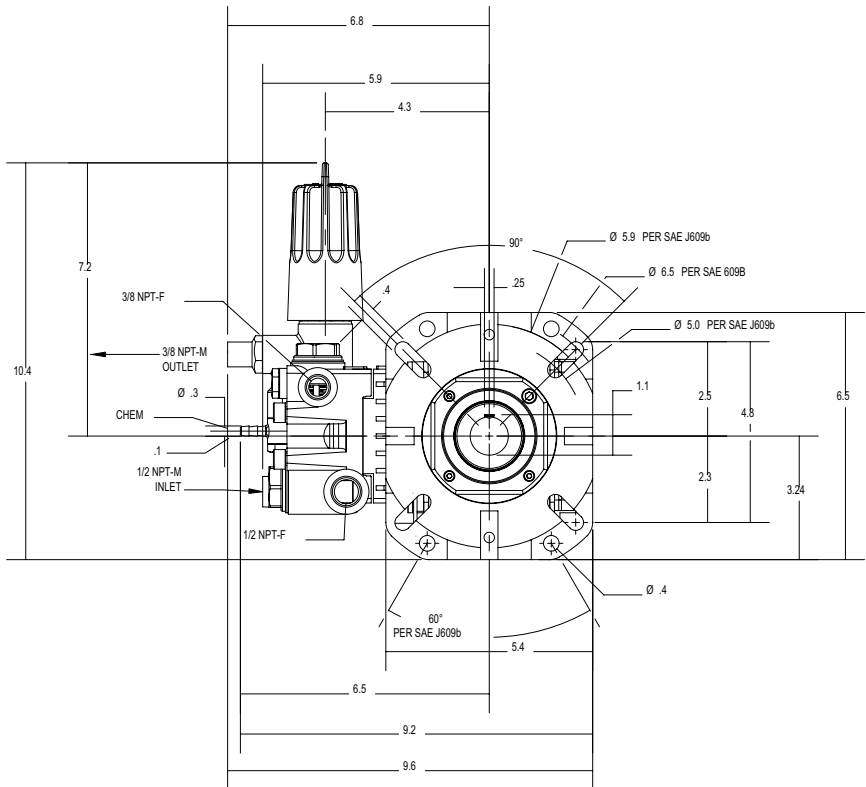
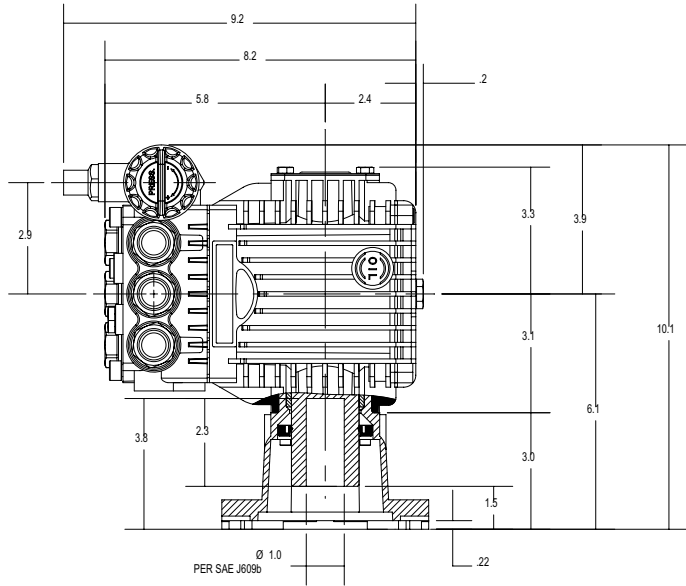
\*Decrease torque by 20% if threads are lubricated.

Item	Ft/lb	Nm
2	14.7	20
10	95.9	130
12	7.3	10
26	7.3	10
28	14.7	20
35	11.0	15
64	7.3	10
121	29.5	40
122	29.5	40



**DIMENSIONS\* (INCHES)**

J609b Models



TX1510G8UIA

