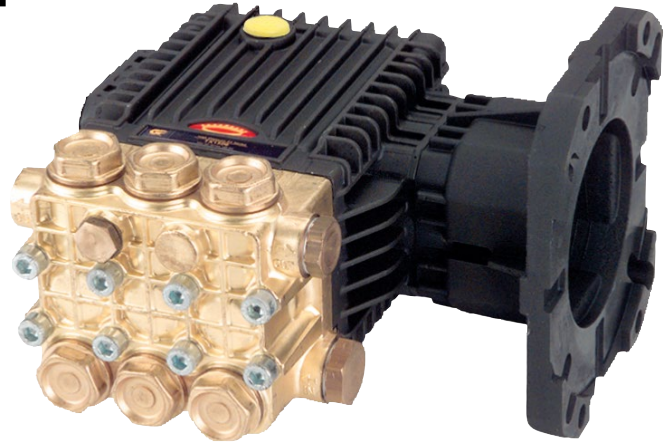


TX Series "63"

Triplex Plunger Pump, 1" Hollow Shaft

FEATURES

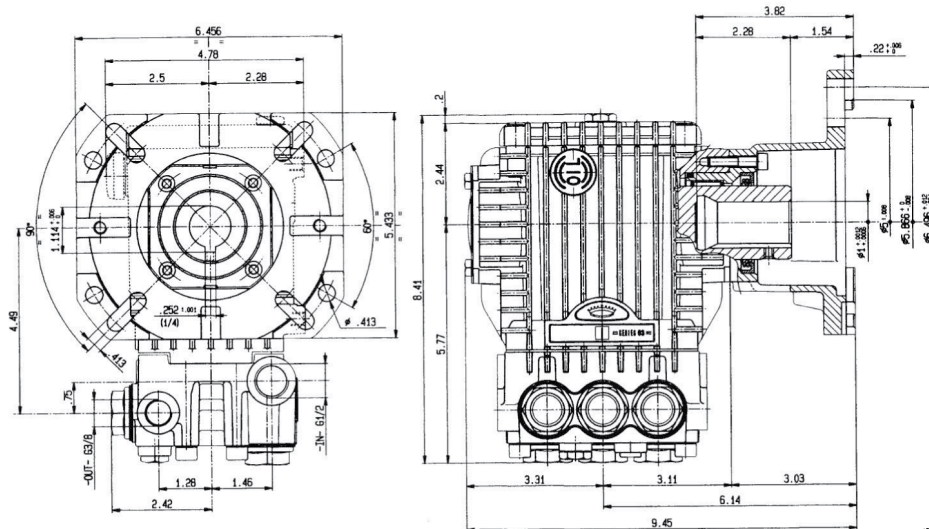
- Flanged for direct couple to gasoline engines (SAE J609)
- Set screw for key way
- Oversized bearings for long life
- New generation seal system for longer life
- Forged brass manifold with an exclusive lifetime warranty



SPECIFICATIONS

| Pump Model | TX1506G8 | TX1508G8 | TX1509G8 | TX1510G8 |
|----------------------------|--------------------|-----------------|-----------------|------------------|
| Maximum Volume | 2.6 GPM | 3.0 GPM | 3.5 GPM | 4.0 GPM |
| Maximum Discharge Pressure | 3000 PSI | | | |
| Horsepower | 8.0 GHP | 9.2 GHP | 10.8 GHP | 12.3 GHP |
| Maximum Pump Speed | 3400 RPM | | | |
| Maximum Inlet Pressure | 125 PSI | | | |
| Minimum Inlet Pressure | Flooded | | | |
| Plunger Bore (in / mm) | .591 in. / 15 mm | | | |
| Plunger Stroke (in / mm) | .256 in. / 6.5 mm | .315 in. / 8 mm | .355 in./9.0 mm | .394 in. / 10 mm |
| Oil Capacity | 14.0 oz | | | |
| Maximum Fluid Temperature | 165°F | | | |
| Inlet Port Thread | 1/2" BSP-F | | | |
| Discharge Port Thread | 3/8" BSP-F | | | |
| Shaft Diameter | 1.0 in. / 25.4 mm | | | |
| Weight | 18 lbs | | | |
| Dimensions | 8.4 x 8.4 x 6.5 in | | | |

DIMENSIONAL DRAWING



TRIPLEX

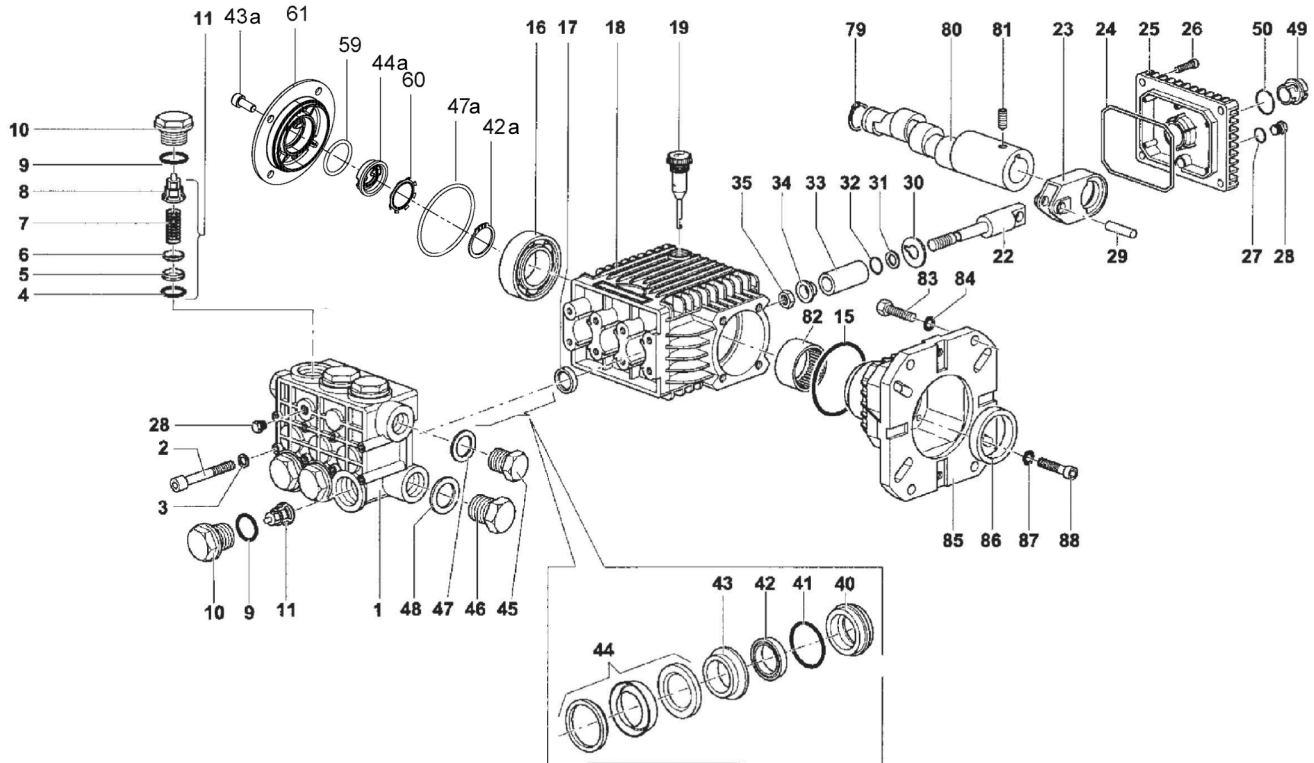
TRIPLEX



General Pump is a member of the Interpump Group

Ref 300196 Rev. E 10-17





PARTS LIST

| ITEM | PART NO. | DESCRIPTION | QTY. | ITEM | PART NO. | DESCRIPTION | QTY. | ITEM | PART NO. | DESCRIPTION | QTY. |
|------|----------|----------------------|------|------|----------|-----------------------|------|------|----------|------------------------|------|
| 1. | 63120041 | Manifold, 15 mm | 1 | 27. | 701013 | O-ring | 1 | 47a. | 90389800 | O-ring Ø 56.82x2.62 | 1 |
| 2. | 99319200 | Screw, M8 x 65 | 8 | 28. | 98204100 | Plug, 1/4" G | 2 | 48. | 96751400 | Washer, M21.5 | 1 |
| 3. | 96701400 | Lockwasher, M8.4 | 8 | 29. | 97733500 | Connecting Rod Pin | 3 | 49. | 63210051 | Oil Level Indicator | 1 |
| 4. | 701115 | O-ring | 6 | 30. | 96707500 | Flinger Washer | 3 | 50. | 90405100 | O-ring | 1 |
| 5. | 36200366 | Valve Seat | 6 | 31. | 660024 | Anti-extrusion Ring | 3 | 59. | 90385900 | O-ring Ø 25.07x2.62 | 1 |
| 6. | 36200176 | Valve Plate | 6 | 32. | 701009 | O-ring | 3 | 60. | 90067100 | Stop Ring | 1 |
| 7. | 94737600 | Spring | 6 | 33. | 52040009 | Ceramic Plunger, 15mm | 3 | 61. | 58150122 | Side Cover | 1 |
| 8. | 36202551 | Valve Cage | 6 | 34. | 44211570 | Bushing | 3 | 79. | 90063500 | Retaining Ring | 1 |
| 9. | 701002 | O-ring | 6 | 35. | 92221600 | Nut, M8 | 3 | 80. | 63027765 | Crankshaft, 6.5 | 1 |
| 10. | 98222600 | Valve Cap | 6 | 40. | 63080070 | Seal Retn'r, 15mm | 3 | | 63028065 | Crankshaft, 8 | 1 |
| 11. | 36711501 | Valve Assembly | 6 | 41. | 90360800 | O-ring | 3 | | 63028265 | Crankshaft, 9 | 1 |
| 16. | 91832900 | Ball Bearing | 2 | 42. | 90260800 | Seal, LP,15mm | 3 | | 63028465 | Crankshaft, 10 | 1 |
| 17. | 90159500 | Oil Seal | 3 | 42a. | 90063500 | Stop Ring Ø 25 | 1 | 81. | 99179000 | Screw, M6x6 | 1 |
| 18. | 63010022 | Crankcase | 1 | 43. | 63216070 | Int. Ring,15mm | 3 | 82. | 91856800 | Roller Bearing | 1 |
| 19. | 98210300 | Oil Dip Stick | 1 | 43a. | 99183700 | Screw M6x14 | 8 | 83. | 99334600 | Screw, 3/8 x 1" | 4 |
| 22. | 63050066 | Plunger Guide | 3 | 44. | 90261200 | Packing Assy,15mm | 3 | 84. | 96710400 | Washer | 4 |
| 23. | 63030022 | Connecting Rod | 3 | 44a. | 53210851 | Oil Level Indicator | 1 | 85. | 10051822 | Flange, 1", Gas Engine | 1 |
| 24. | 90392000 | O-ring, Cover | 1 | 45. | 98210000 | Plug, 3/8" G | 1 | 86. | 9016900 | Oil Seal | 1 |
| 25. | 63160022 | Rear Crankcase Cover | 1 | 46. | 98217600 | Plug, 1/2" G | 1 | 87. | 203510 | Washer | 4 |
| 26. | 99183700 | Screw, M6 x 14 | 4 | 47. | 96738000 | Washer, M17.5 | 1 | 88. | 99191200 | Screw, M6 x 30 | 4 |

* 53150001 Oil Level Indicator Assembled W/O Screws and O-ring

REPAIR KITS

| KIT NO. | K123 | K124 | K159 | K160 | K162 | K164 | K166 |
|--------------------------------------|--------------------|-------|------|--------|------|------|--------------------|
| ITEM NO's INCLUDED IN KIT | 4, 5, 6, 7, 8 (11) | 9, 10 | 17 | 42, 44 | 40 | 43 | 40, 41, 42, 43, 44 |
| NUMBER OF ASSEMBLIES IN KIT | 6 | 6 | 3 | 3 | 3 | 3 | 1 |
| NUMBER OF CYLINDERS KIT WILL SERVICE | 3 | 3 | 3 | 3 | 3 | 3 | 1 |

TORQUE SPECS*

| Pos. | Ft/lb | Nm |
|------|-------|-----|
| 2 | 14.7 | 20 |
| 10 | 95.9 | 130 |
| 12 | 7.3 | 10 |
| 26 | 7.3 | 10 |
| 28 | 14.7 | 20 |
| 35 | 11.0 | 15 |
| 45 | 29.4 | 40 |
| 46 | 29.4 | 40 |
| 83 | 14.7 | 20 |
| 88 | 7.3 | 10 |

* Decrease torque by 20% if threads are lubricated

