

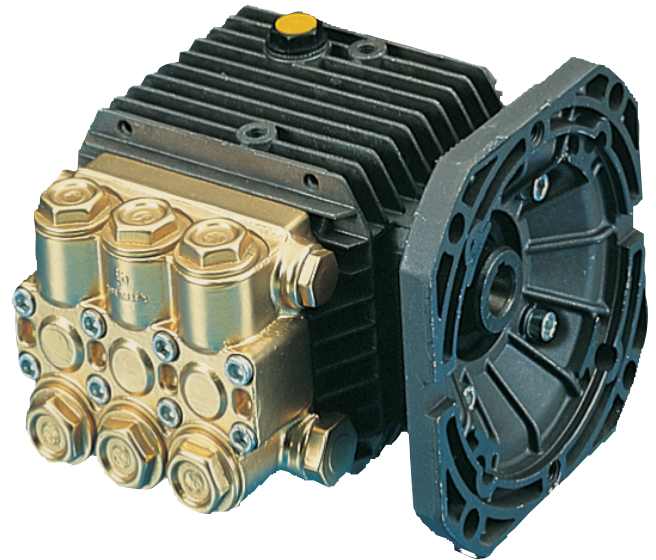
**GENERAL PUMP** *A member of the Interpump Group*

# TT Series 51, EBF

*Triples Plunger Pumps*

**FEATURES**

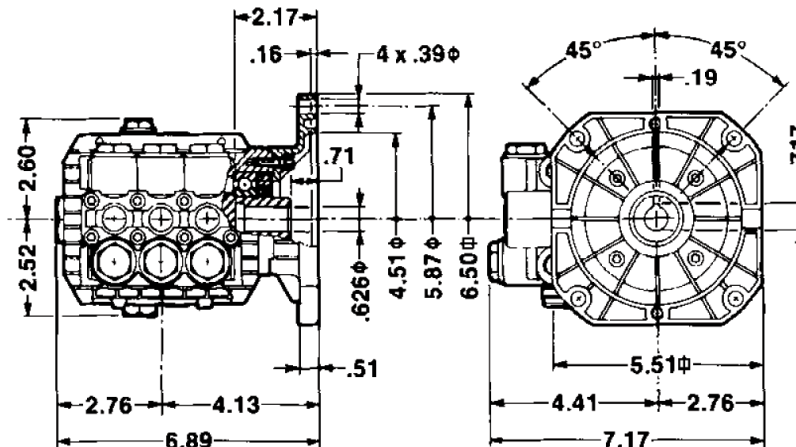
- Forged brass manifold
- Die-cast anodized aluminum, oil-bath crankcase
- Solid ceramic plungers with continuously lubricated packings
- The original Interpump unitized, stainless steel, K01 inlet and outlet valves
- Ideal for all general cleaning, RO and misting applications
- Comes standard with NEMA 56C electric motor mounting flange
- Also available in "L" left-handed versions



**SPECIFICATIONS**


Pump Model	T9051EBF	TT9111EBF	TT9061EBF	TT9071EBF	TT2021EBF	TT2028EBF	TT2035EBF
Maximum Volume	2.11 GPM	3.0 GPM	2.11 GPM	2.8 GPM	2.1 GPM	2.8 GPM	3.5 GPM
Maximum Discharge Pressure	1500 PSI			2000 PSI			
Maximum Pump Speed	1750 RPM			3400 RPM			
Maximum Inlet Pressure	125 PSI						
Maximum Inlet Vacuum	3 ft. water (2.6 Hg)						
Plunger Bore (in / mm)	.591 / 15	.709 / 18	.591 / 15				
Plunger Stroke (in / mm)	.370 / 9.4	.370 / 9.4	1.97 / 5	.260 / 6.6	1.97 / 5	.260 / 6.6	.315 / 8
Oil Capacity	11.2 oz.						
Maximum Fluid Temperature	165° F						
Inlet Port Thread	3/8-19 BSPP-F						
Discharge Port Thread	1/4-19 BSPP-F						
Shaft Diameter	5/8 in. / 16 mm						3/4 in./19 mm
Weight	11.5 lbs.						
Dimensions	7.0" x 7.2" x 5.5"						

**DIMENSIONAL DRAWING**



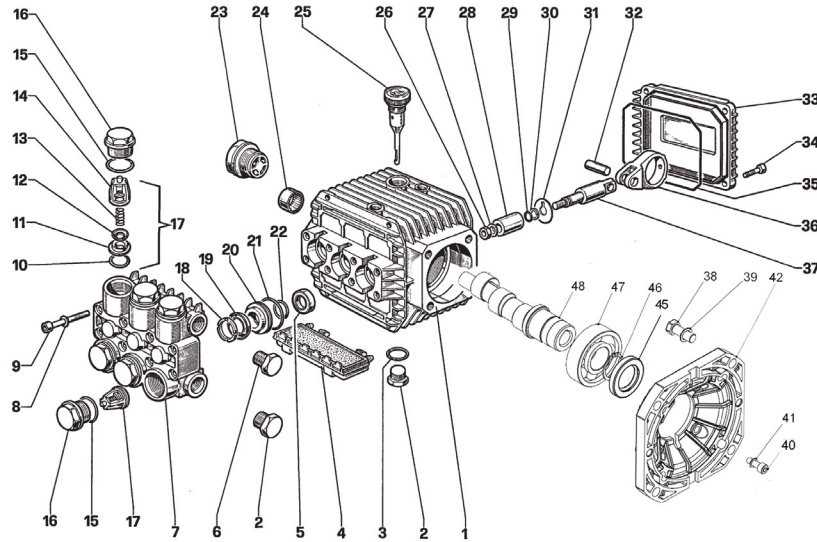
Ref 300310 Rev. M  
06-23



 General Pump is a member of the Interpump Group

# TT Series 51, EBF

**GENERAL PUMP** *A member of the Interpump Group*



## PARTS LIST

ITEM	PART NO.	DESCRIPTION	QTY.	ITEM	PART NO.	DESCRIPTION	QTY.	ITEM	PART NO.	DESCRIPTION	QTY.
1.	51010622	Crankcase	1	19	90262000	Packing	3	34.	99186700	Screw, M6 x 18	4
2.	98210000	Plug, 3/8-BSP	2	20.	51080070	Packing Retainer	3	35.	90391700	Gasket	1
3.	90383300	O-ring	1	21.	90360400	O-ring	3	36.	51030022	Connecting Rod End	4
4.	51209102	Protector	1	22.	90383500	O-ring, 15 mm	3	37.	51050056	Piston Guide	3
5.	710002	Oil Seal	3	23.	97596800	Sight Gauge	1	38.	99334500	Screw, 3/8-BSP	4
6.	98204100	Plug	1	24.	91801500	Needle Bearing	1	39.	96710400	Washer, M10, Schnorr	4
7.	51120023	Manifold, Aluminum, 15 mm	1	25.	98210300	Oil Dip Stick	1	40.	99186700	Screw, M6 x 18	4
	51120041	Manifold, Brass, 15 mm	1	26.	92221600	Nut, M8	3	41.	203510	Washer, M6.4, Schnorr	4
	51120441	Manifold, Brass, 18 mm	1	27.	96700800	Washer, M8	3	42.	ZFWWU	Flange	1
8.	203510	Washer, M6.4	12	28.	51040009	Plunger, 15 mm	3	45.	90165100	Oil Seal	1
9.	99194300	Screw, M6 x 40	12	29.	51040109	Plunger, 18 mm	3	46.	90066700	Snap Ring	1
10.	701115	O-ring	6	30.	660024	Back-up Ring	3	47.	20283521	Bearing	1
11.	36200366	Valve Seat	6	31.	96707000	Washer, Flinger	3	48.	51020835	Crankshaft (TT9061, TT2021)	1
12.	36711501	Valve Plate	6	32.	97731000	Connecting Rod Pin	3		51021535	Crankshaft (T9051, TT9111)	1
13.	97437600	Spring	6	33.	51160022	Crankcase Cover	1		51020935	Crankshaft (TT9071, TT2028)	1
14.	36200251	Valve Cage	6						51021835	Crankshaft (TT2035)	1
15.	701002	O-ring	6								
16.	98221800	Valve Cap	6								
17.	100381	Valve Assembly	6								
18.	51100051	Head Ring, 15 mm	3								

## REPAIR KITS

KIT NO.	1	83	84	86 (15 mm)	96 (15mm)	97 (15mm)	139 (18mm)	140 (18mm)	141 (18mm)
ITEM NO's INCLUDED IN KIT	10, 11, 12, 13, 14 (17)	5	15, 16	20, 21, 22	18, 19, 20, 21, 22	18, 19, 21, 22	20, 21, 22	18, 19, 20, 21, 22	18, 19, 21, 22
NUMBER OF ASSEMBLIES IN KIT	6	3	6	3	1	3	3	1	3
NUMBER OF CYLINDERS KIT WILL SERVICE	3	3	3	3	1	3	3	1	3

## TORQUE SPECS\*

Position	Ft. Lbs.
2	29.4
6	14.7
9	8.8
16	33.1
23	13.2
26	11.0
34	7.3
38	22.1
40	7.3
49	14.7
52	7.3

\* Decrease torque by 20% if threads are lubricated

**WARNING: High Pressure Systems require a primary pressure regulating device (i.e. regulator, unloader) and a secondary pressure relief device (i.e. pop-off valve, relief valve). Failure to install such relief devices properly could result in personal injury or damage to pump or property. GP does not assume any liability or responsibility for the operation of the user's high pressure system.**



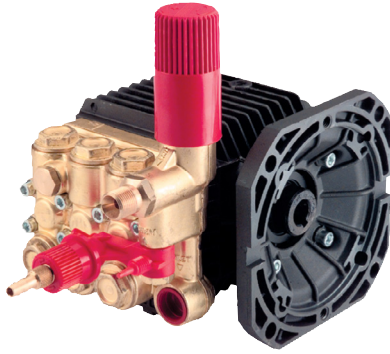
WARNING: This product can expose you to chemicals including lead, which is known to the state of California to cause cancer and birth defects or other reproductive harm. For more information, go to [www.P65Warnings.ca.gov](http://www.P65Warnings.ca.gov)

Ref 300310 Rev. M  
06-23



**GENERAL PUMP** *A member of the Interpump Group*

**TT 51 Series, U, UI Manifolds**

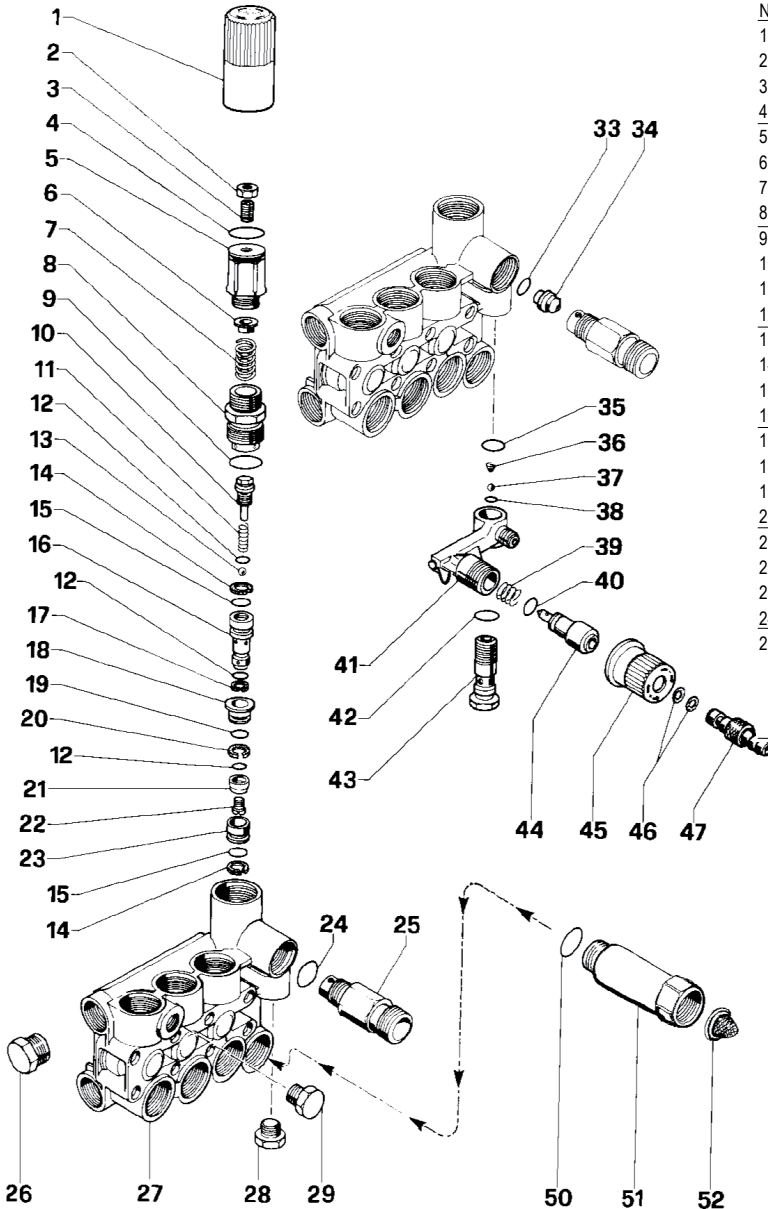


**FEATURES**

- Features a built-in unloader, with optional chemical injector and optional inlet fitting
- Available in aluminum, (1300 PSI maximum) or brass (1500 PSI maximum)

*General Pump recommends using a safety relief device in conjunction with this unloader valve when installed on a positive displacement pump. General Pump is not liable and assumes no responsibility for this valve when used in a customer's high pressure system.*

**PARTS LIST**



NO.	PART NO.	DESC.	QTY	NO.	PART NO.	DESC.	QTY
1.	36318751	Knob	1	26.	98204100	Cap, 1/4BSPP	1
2.	92221800	Nut	1		90210000	Cap, 3/8 BSPP	
3.	99305400	Screw	1	27.	55120022	Manifold, Alum.	1
4.	701019	O-ring	1		55120141	Manifold, Brass	
5.	36318570	Press Regulator	1	28.	98205700	Cap	1
6.	36316970	Seat	1	29.	98204100	Cap	1
7.	94743600	Spring	1	<b>OPTIONAL</b>			
8.†	36318470	Bushing	1	33.†*	701614	O-ring	1
9.†	701002	O-ring	1	34.	10015166	Nozzle, 2.0mm	1
10.†	36318870	Stopper	1		10007666	Nozzle, 2.2mm	
11.†	94733200	Spring	1	35.*	701012	O-ring	1
12.†	90357500	O-ring	3	36.*	94821700	Spring	1
13.†	36333151	Shutter	1	37.*	97478200	Ball	1
14.†	90506500	Anti-ext. Ring	3	38.*	701501	O-ring	1
15.†	701614	O-ring	2	39.*	94738300	Spring	1
16.†	36318970	Control Piston	1	40.*	701612	O-ring	1
17.†	90502500	Anti-ext. Ring	1	41.	36318151	Body	1
18.†	36316570	Valve Guide	1	42.*	701013	O-ring	1
19.†	701014	O-ring	1	43.	36256370	Valve Seat	1
20.†	90507500	Anti-ext. Ring	1	44.	36256470	Shutter	1
21.†	36319066	Valve	1	45.	36256551	Knob	1
22.†	99150900	Screw	1	46.*	701008	O-ring	1
23.†	36316466	Valve Seat	1	47.	36256670	Coupling	1
24.*	90383200	O-ring	1	<b>OPTIONAL</b>			
25.	10007870	Fitting, 3/4BSPP-(M)STD)	1	50.	701115	O-ring	1
	10014770	Fitting, M22(OPT)		51.	680006	Inlet Fitting	1
	10031870	Fitting, 3/8 NPT-F(OPT)		52.	700004	Filter Washer	1

KIT NO.	K94	K102
ITEM NUMBERS INCLUDED IN KIT	24, 33, 35, 36, 37, 38, 39, 40, 42, 46	8, 9, 10, 11, 12, 13, 14, 15, 16, 17, 18, 19, 20, 21, 22, 23, 33
QTY.	1	1

