

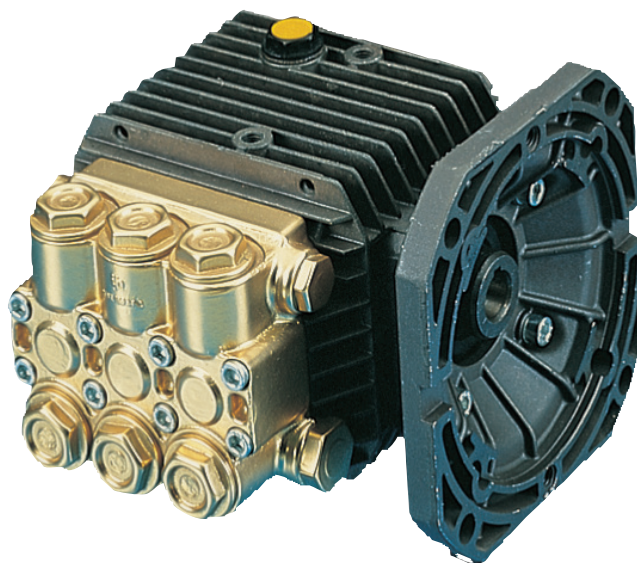
GENERAL PUMP *A member of the Interpump Group*

TT Series 51, EBF

Triples Plunger Pumps

FEATURES

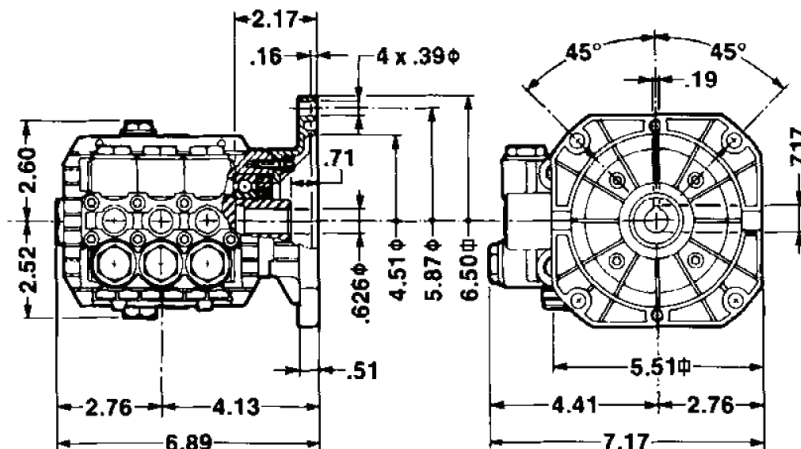
- Forged brass manifold with exclusive lifetime warranty
- Die-cast anodized aluminum, oil-bath crankcase
- Solid ceramic plungers with continuously lubricated packings
- The original Interpump unitized, stainless steel, K01 inlet and outlet valves
- Ideal for all general cleaning, RO and misting applications
- Comes standard with NEMA 56C electric motor mounting flange
- Also available in "L" left-handed versions



SPECIFICATIONS

| Pump Model | T9051EBF | TT9111EBF | TT9061EBF | TT9071EBF | TT2021EBF | TT2028EBF | TT2035EBF |
|----------------------------|----------------------|------------|-----------|------------|-----------|------------|---------------|
| Maximum Volume | 2.11 GPM | 3.0 GPM | 2.11 GPM | 2.8 GPM | 2.1 GPM | 2.8 GPM | 3.5 GPM |
| Maximum Discharge Pressure | 1500 PSI | | | | 2000 PSI | | |
| Maximum Pump Speed | 1750 RPM | | | 3400 RPM | | | |
| Maximum Inlet Pressure | 125 PSI | | | | | | |
| Maximum Inlet Vacuum | 3 ft. water (2.6 Hg) | | | | | | |
| Plunger Bore (in / mm) | .591 / 15 | .709 / 18 | .591 / 15 | | | | |
| Plunger Stroke (in / mm) | .370 / 9.4 | .370 / 9.4 | 1.97 / 5 | .260 / 6.6 | 1.97 / 5 | .260 / 6.6 | .315 / 8 |
| Oil Capacity | 11.2 oz. | | | | | | |
| Maximum Fluid Temperature | 165° F | | | | | | |
| Inlet Port Thread | 3/8-19 BSPP-F | | | | | | |
| Discharge Port Thread | 1/4-19 BSPP-F | | | | | | |
| Shaft Diameter | 5/8 in. / 16 mm | | | | | | 3/4 in./19 mm |
| Weight | 11.5 lbs. | | | | | | |

DIMENSIONAL DRAWING



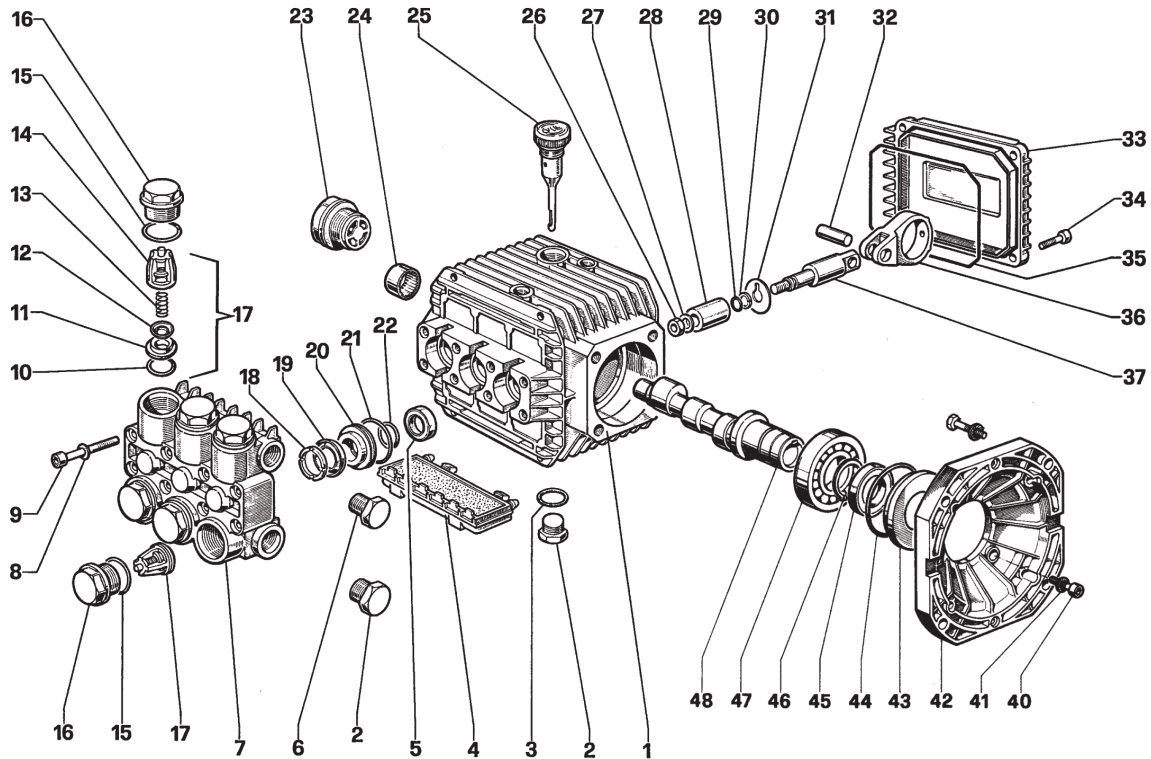
Ref 300310 Rev. H
11-12



General Pump
is a member of
the Interpump Group



TT Series 51, EBF



PARTS LIST

| ITEM | PART NO. | DESCRIPTION | KIT NO. | QTY. | ITEM | PART NO. | DESCRIPTION | KIT NO. | QTY. | ITEM | PART NO. | DESCRIPTION | KIT NO. | QTY. |
|------|----------|---------------------------|---------|------|------|----------|-------------------------|---------|------|------|----------|-----------------------------|---------|------|
| 1. | 51010622 | Crankcase | | 1 | 19. | 90262000 | Packing | | 3 | 34. | 99186700 | Screw, M6 x 18 | | 4 |
| 2. | 98210000 | Plug, 3/8-BSP | | 2 | 20. | 90268100 | Packing, 18 mm | | 3 | 35. | 90391700 | Gasket | | 1 |
| 3. | 90383300 | O-ring | | 1 | 21. | 51080070 | Packing Retainer | | 3 | 36. | 51030022 | Connecting Rod End | | 4 |
| 4. | 51209102 | Protector | | 1 | | 51080370 | Packing Retainer, 18 mm | | 3 | 37. | 51050056 | Piston Guide | | 3 |
| 5. | 710002 | Oil Seal | | 3 | 21. | 90360400 | O-ring | | 3 | 38. | 99334500 | Screw, 3/8-BSP | | 4 |
| 6. | 98204100 | Plug | | 1 | 22. | 90383500 | O-ring, 15 mm | | 3 | 39. | 96710400 | Washer, M10, Schnorr | | 4 |
| 7. | 51120023 | Manifold, Aluminum, 15 mm | | 1 | | 90384300 | O-ring, 18 mm | | 3 | 40. | 99186700 | Screw, M6 x 18 | | 4 |
| | 51120041 | Manifold, Brass, 15 mm | | 1 | 23. | 97596800 | Sight Gauge | | 1 | 41. | 203510 | Washer, M6.4, Schnorr | | 4 |
| | 51120441 | Manifold, Brass, 18 mm | | 1 | 24. | 91801500 | Needle Bearing | | 1 | 42. | ZFWWU | Flange | | 1 |
| 8. | 203510 | Washer, M6.4 | | 12 | 25. | 98210300 | Oil Dip Stick | | 1 | 43. | 50211551 | Spacer | | 1 |
| 9. | 99194300 | Screw, M6 x 40 | | 12 | 26. | 92221600 | Nut, M8 | | 3 | 44. | 90409700 | O-ring | | 1 |
| 10. | 701115 | O-ring | | 6 | 27. | 96700800 | Washer, M8 | | 3 | 45. | 90164400 | Oil Seal | | 1 |
| 11. | 36200366 | Valve Seat | | 6 | 28. | 51040009 | Plunger, 15 mm | | 3 | 46. | 90066700 | Snap Ring | | 1 |
| 12. | 36711501 | Valve Plate | | 6 | | 51040109 | Plunger, 18 mm | | 3 | 47. | 20283521 | Bearing | | 1 |
| 13. | 97437600 | Spring | | 6 | 29. | 701501 | O-ring | | 3 | 48. | 51020835 | Crankshaft (TT9061, TT2021) | | 1 |
| 14. | 36200251 | Valve Cage | | 6 | 30. | 660024 | Back-up Ring | | 3 | | 51021535 | Crankshaft (T9051, TT9111) | | 1 |
| 15. | 701002 | O-ring | | 6 | 31. | 96707000 | Washer, Flinger | | 3 | | 51020935 | Crankshaft (TT9071, TT2028) | | 1 |
| 16. | 98221800 | Valve Cap | | 6 | 32. | 97731000 | Connecting Rod Pin | | 3 | | 51021835 | Crankshaft (TT2035) | | 1 |
| 17. | 100381 | Valve Assembly | | 6 | 33. | 51160022 | Crankcase Cover | | 1 | | | | | |
| 18. | 51100051 | Head Ring, 15 mm | | 3 | | | | | | | | | | |
| | 51100151 | Head Ring, 18 mm | | 3 | | | | | | | | | | |

REPAIR KITS

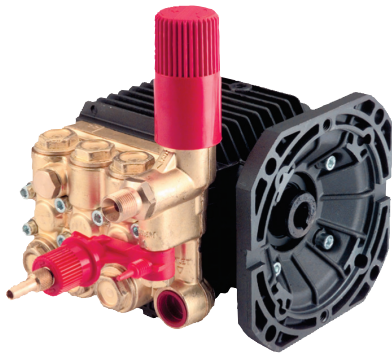
| KIT NO. | 1 | 83 | 84 | 86 (15 mm) | 96 (15mm) | 97 (15mm) | 139 (18mm) | 140 (18mm) | 141 (18mm) |
|-----------------------------|-------------------------|----|--------|---------------|--------------------|----------------|---------------|--------------------|----------------|
| ITEM NO's INCLUDED IN KIT | 10, 11, 12, 13, 14 (17) | 5 | 15, 16 | 20, 21, 22 | 18, 19, 20, 21, 22 | 18, 19, 21, 22 | 20, 21, 22 | 18, 19, 20, 21, 22 | 18, 19, 21, 22 |
| NUMBER OF ASSEMBLIES IN KIT | 6 | 3 | 6 | 3 | 1 | 3 | 3 | 1 | 3 |

TORQUE SPECS*

| Position | Ft. Lbs. |
|----------|----------|
| 2 | 29.4 |
| 6 | 14.7 |
| 9 | 8.8 |
| 16 | 33.1 |
| 23 | 13.2 |
| 26 | 11.0 |
| 34 | 7.3 |
| 38 | 22.1 |
| 40 | 7.3 |
| 49 | 14.7 |
| 52 | 7.3 |

* Decrease torque by 20% if threads are lubricated

Ref 300310 Rev. H
11-12

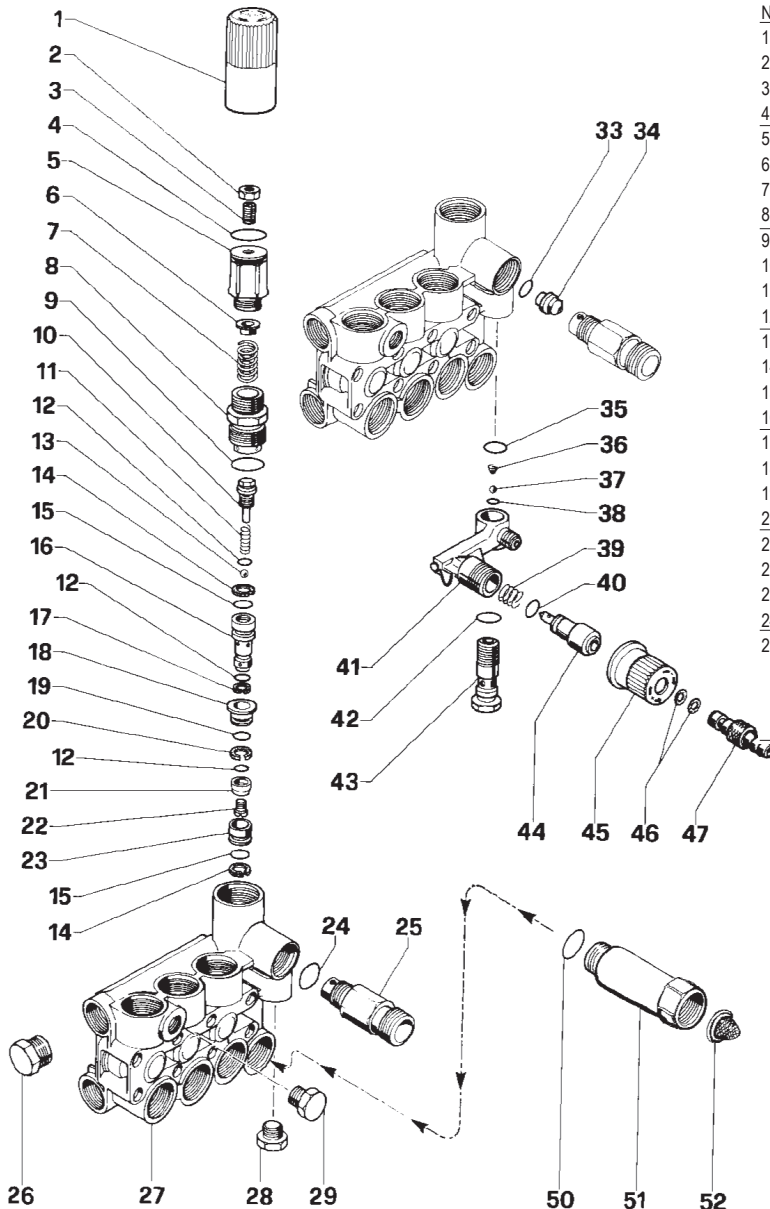


FEATURES

- Features a built-in unloader, with optional chemical injector and optional inlet fitting
- Available in aluminum, (1300 PSI maximum) or brass (1500 PSI maximum)

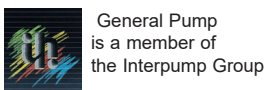
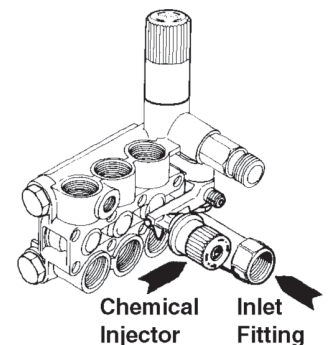
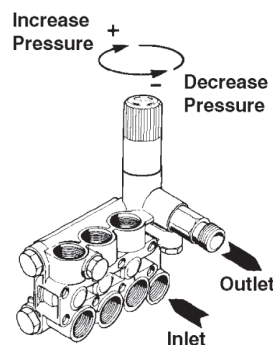
General Pump recommends using a safety relief device in conjunction with this unloader valve when installed on a positive displacement pump. General Pump is not liable and assumes no responsibility for this valve when used in a customer's high pressure system.

PARTS LIST



| NO. | PART NO. | DESC. | QTY | NO. | PART NO. | DESC. | QTY |
|------|----------|--------------------------|-----|-----------------|----------|-----------------|-----|
| 1. | 36318751 | Knob | 1 | 26. | 98204100 | Cap, 1/4BSPP | 1 |
| 2. | 92221800 | Nut | 1 | | 90210000 | Cap, 3/8 BSPP | |
| 3. | 99305400 | Screw | 1 | 27. | 55120022 | Manifold, Alum. | 1 |
| 4. | 701019 | O-ring | 1 | | 55120141 | Manifold, Brass | |
| 5. | 36318570 | Press Regulator | 1 | 28. | 98205700 | Cap | 1 |
| 6. | 36318970 | Seat | 1 | 29. | 98204100 | Cap | 1 |
| 7. | 94743600 | Spring | 1 | OPTIONAL | | | |
| 8.† | 36318470 | Bushing | 1 | 33.†* | 701614 | O-ring | 1 |
| 9.† | 701002 | O-ring | 1 | 34. | 10015166 | Nozzle, 2.0mm | 1 |
| 10.† | 36318870 | Stopper | 1 | | 10007666 | Nozzle, 2.2mm | |
| 11.† | 94733200 | Spring | 1 | 35.* | 701012 | O-ring | 1 |
| 12.† | 90357500 | O-ring | 3 | 36.* | 94821700 | Spring | 1 |
| 13.† | 36333151 | Shutter | 1 | 37.* | 97478200 | Ball | 1 |
| 14.† | 90506500 | Anti-ext. Ring | 3 | 38.* | 701501 | O-ring | 1 |
| 15.† | 701614 | O-ring | 2 | 39.* | 94738300 | Spring | 1 |
| 16.† | 36318970 | Control Piston | 1 | 40.* | 701612 | O-ring | 1 |
| 17.† | 90502500 | Anti-ext. Ring | 1 | 41. | 36318151 | Body | 1 |
| 18.† | 36316570 | Valve Guide | 1 | 42.* | 701013 | O-ring | 1 |
| 19.† | 701014 | O-ring | 1 | 43. | 36256370 | Valve Seat | 1 |
| 20.† | 90507500 | Anti-ext. Ring | 1 | 44. | 36256470 | Shutter | 1 |
| 21.† | 36319066 | Valve | 1 | 45. | 36256551 | Knob | 1 |
| 22.† | 99150900 | Screw | 1 | 46.* | 701008 | O-ring | 1 |
| 23.† | 36316466 | Valve Seat | 1 | 47. | 36256670 | Coupling | 1 |
| 24.* | 90383200 | O-ring | 1 | OPTIONAL | | | |
| 25. | 10007870 | Fitting, 3/4BSPP-(M)STD) | 1 | 50. | 701115 | O-ring | 1 |
| | 10014770 | Fitting, M22(OPT) | | 51. | 680006 | Inlet Fitting | 1 |
| | 10031870 | Fitting, 3/8 NPT-F(OPT) | | 52. | 700004 | Filter Washer | 1 |

| KIT NO. | K94 | K102 |
|------------------------------|--|--|
| ITEM NUMBERS INCLUDED IN KIT | 24, 33, 35, 36, 37, 38, 39, 40, 42, 46 | 8, 9, 10, 11, 12, 13, 14, 15, 16, 17, 18, 19, 20, 21, 22, 23, 33 |
| QTY. | 1 | 1 |



Ref 300224 Rev F
06-21

