

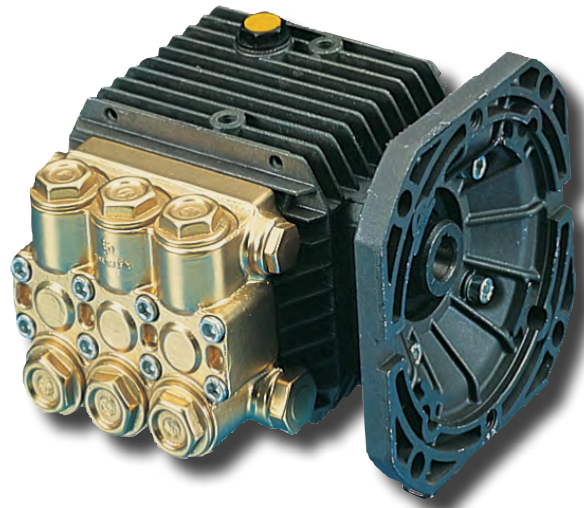
GENERAL PUMP *A member of the Interpump Group*

TT Series 51, EBF

Triples Plunger Pumps

FEATURES

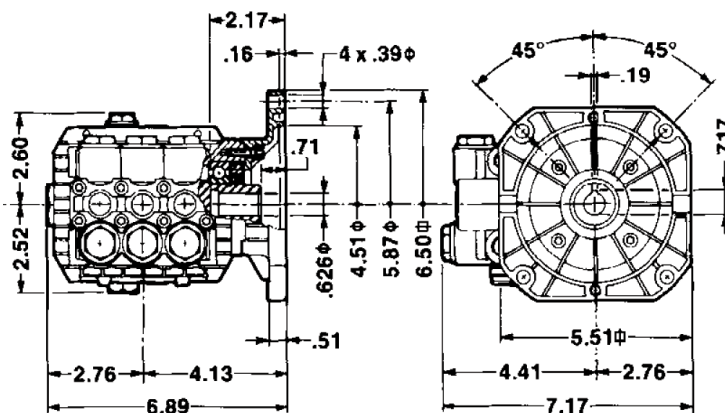
- Forged brass manifold
- Die-cast anodized aluminum, oil-bath crankcase
- Solid ceramic plungers with continuously lubricated packings
- The original Interpump unitized, stainless steel, K01 inlet and outlet valves
- Ideal for all general cleaning, RO and misting applications
- Comes standard with NEMA 56C electric motor mounting flange
- Also available in "L" left-handed versions



SPECIFICATIONS

Pump Model	TT15025EBF	TT1505EBF
Maximum Volume	0.25 GPM	0.5 GPM
Maximum Discharge Pressure	1500 PSI	
Maximum Pump Speed	1750 RPM	
Maximum Inlet Pressure	125 PSI	
Minimum Inlet Pressure	3 ft. water (2.6 in. Hg)	
Plunger Bore (in / mm)	.591 in. / 15 mm	.709 in. / 18 mm
Plunger Stroke (in / mm)	.079 in. / 2 mm	
Oil Capacity	11.2 oz.	
Maximum Fluid Temperature	165° F	
Inlet Port Thread	3/8-19 BSPP-F	
Discharge Port Thread	1/4-19 BSPP-F	
Shaft Diameter	5/8 in. / 16 mm	
Weight	11.5 lbs.	
Dimensions	7.0" x 7.2" x 5.5"	

DIMENSIONAL DRAWING



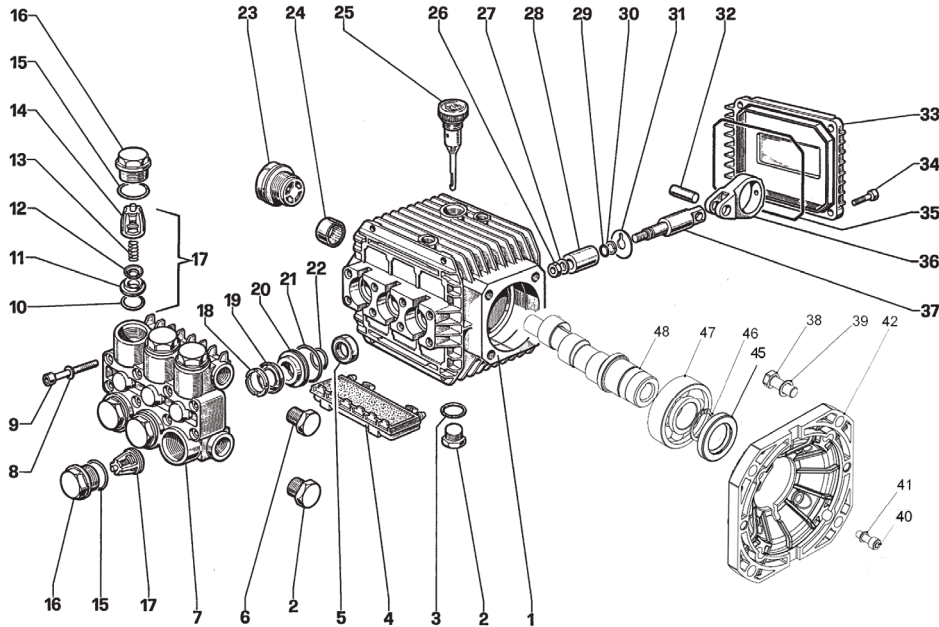
General Pump is a member of the Interpump Group

Ref 300627 Rev. G
11-22



TT Series 51, EBF

GENERAL PUMP *A member of the Interpump Group*



PARTS LIST

ITEM	PART NO.	DESCRIPTION	QTY.	ITEM	PART NO.	DESCRIPTION	QTY.	ITEM	PART NO.	DESCRIPTION	QTY.
1.	51010622	Crankcase	1	17.	100381	Valve Assembly	6	31.	96707000	Washer, Flinger	3
2.	98210000	Plug, 3/8-BSPP	2	18.	51100051	Head Ring, 15 mm	3	32.	97731000	Connecting Rod Pin	3
3.	90383300	O-ring	1		51100151	Head Ring, 18mm	3	33.	51160022	Crankcase Cover	1
4.	51209102	Protector	1	19.	90262000	Packing	3	34.	99186700	Screw, M6 x 18	4
5.	90156500	Oil Seal	3		90268100	Packing, 18mm	3	35.	90391700	Gasket	1
6.	98204100	Plug	1	20.	51080070	Packing Retainer	3	36.	51030022	Connecting Rod End	4
7.	51120023	Manifold, Alum., 15mm	1	21.	90360400	O-ring	3	37.	51050056	Piston Guide	3
	51120041	Manifold, Brass, 15mm	1	22.	90383500	O-ring, 15 mm	3	38.	99334500	Screw, 3/8-BSPP	4
	51120441	Manifold, Brass, 18mm	1		90384300	O-ring, 18mm	3	39.	96710400	Washer, M10, Schnorr	4
8.	203510	Washer, M6.4	12	23.	97596800	Sight Gauge	1	40.	99186700	Screw, M6 x 18	4
9.	99194300	Screw, M6 x 40	12	24.	91801500	Needle Bearing	1	41.	203510	Washer, M6.4, Schnorr	4
10.	701115	O-ring	6	25.	98210300	Oil Dip Stick	1	42.	ZFWWU	Flange	1
11.	36200366	Valve Seat	6	26.	92221600	Nut, M8	3	45.	90166100	Oil Seal	1
12.	36711501	Valve Plate	6	27.	96700800	Washer, M8	3	46.	90066700	Snap Ring	1
13.	97437600	Spring	6	28.	51040009	Plunger, 15 mm	3	47.	20283521	Bearing	1
14.	36200251	Valve Cage	6		51040109	Plunger, 18mm	3	48.	51022265	Crankshaft	1
15.	701002	O-ring	6	29.	701501	O-ring	3				
16.	98221800	Valve Cap	6	30.	660024	Back-up Ring	3				

REPAIR KITS

KIT NO.	1	83	84	86 (15 mm)	96 (15mm)	97 (15mm)	139 (18mm)	140 (18mm)	141 (18mm)
ITEM NO's INCLUDED IN KIT	10, 11, 12, 13, 14 (17)	5	15, 16	20, 21, 22	18, 19, 20, 21, 22	18, 19, 21, 22	20, 21, 22	18, 19, 20, 21, 22	18, 19, 21, 22
NUMBER OF ASSEMBLIES IN KIT	6	3	6	3	1	3	3	1	3
NUMBER OF CYLINDERS KIT WILL SERVICE	3	3	3	3	1	3	3	1	3

TORQUE SPECS*

Position	Ft. Lbs.
2	29.4
6	14.7
9	8.8
16	33.1
23	13.2
26	11.0
34	7.3
38	22.1
40	7.3
49	14.7
52	7.3

* Decrease torque by 20% if threads are lubricated

WARNING: High Pressure Systems require a primary pressure regulating device (i.e. regulator, unloader) and a secondary pressure relief device (i.e. pop-off valve, relief valve). Failure to install such relief devices properly could result in personal injury or damage to pump or property. GP does not assume any liability or responsibility for the operation of the user's high pressure system.



WARNING: This product can expose you to chemicals including lead, which is known to the state of California to cause cancer and birth defects or other reproductive harm. For more information, go to www.P65Warnings.ca.gov