

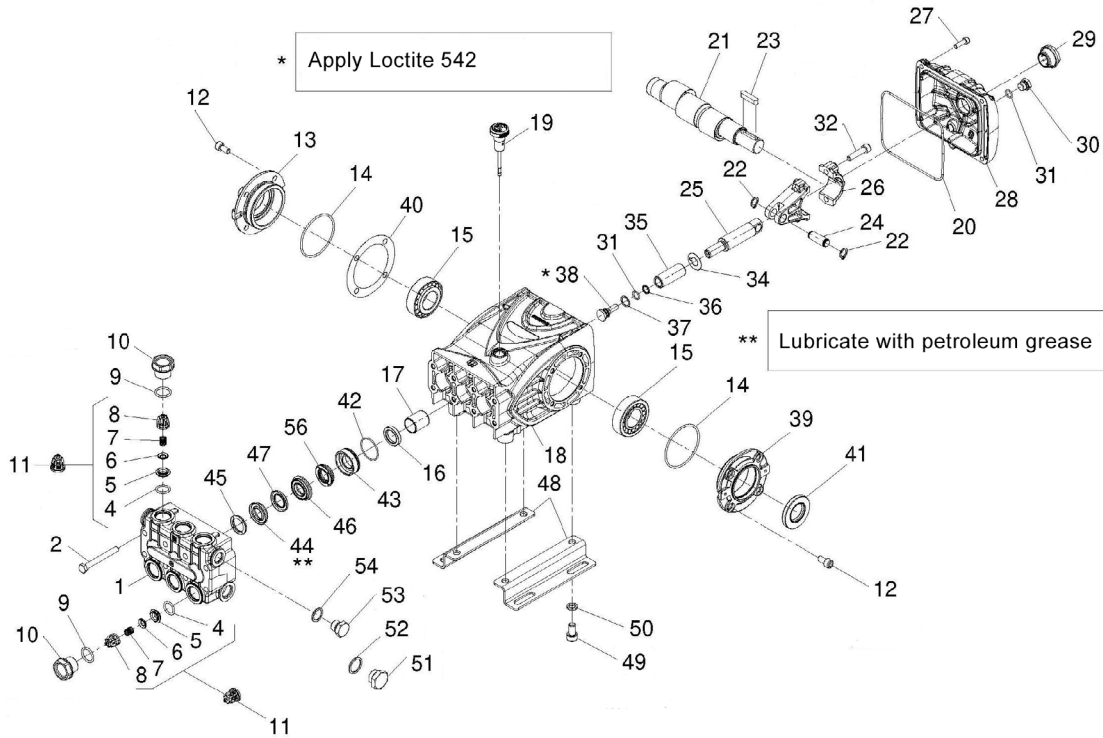
**FEATURES**

- The preferred pump frame in the pressure cleaning industry
- Forged brass manifold
- Large-capacity, die-cast, anodized aluminum oil-bath crankcase
- Over-sized connecting rods for maximum life
- Heavy-duty tapered roller bearing
- Solid ceramic plungers with continuously lubricated packings
- Unitized stainless steel inlet and discharge valves
- Designed for suction applications
- Manifold with fine thread valve caps

**SPECIFICATIONS**

Pump Model	TSS1021	TSS1511
Maximum Volume	4.5 / 5.6 GPM	4.0 GPM
Maximum Discharge Pressure	3500 / 1700 PSI	3500 PSI
Maximum Pump Speed	1125 / 1450 RPM	1450 RPM
Maximum Inlet Pressure	125 PSI	
Maximum Inlet Vacuum	9 ft. water (7.9 in. Hg)	
Plunger Bore	.787 in. / 20 mm	
Plunger Stroke	.630 in. / 16 mm	.472 in. / 12 mm
Crankcase Oil Capacity	37.2 oz.	
Maximum Fluid Temperature	165° F	
Inlet Port Thread	1/2-14 BSP-F	
Discharge Port Thread	3/8-19 BSP-F	
Shaft Diameter	.945 in. / 24 mm	
Weight	32 lbs.	
Dimensions	12.6" x 9.2" x 6.9"	





## PARTS LIST

ITEM	PART NO.	DESCRIPTION	QTY.	ITEM	PART NO.	DESCRIPTION	QTY.	ITEM	PART NO.	DESCRIPTION	QTY.
1.	47120141	Manifold (TSS1021)	1	20.	90392200	O-ring, Cover	1	40.	97567800	Shim	2
	47120841	Manifold (TSS1511)	1	21.	47021735	Crankshaft,	1	41.	90164800	Seal, Oil	1
2.	99320600	Screw, M8 x 70	8	22.	90055700	Ring, Snap	6	42.	90361600	O-ring, 1.364x.070	3
4.	7011115	O-ring, .674 x .10	8	23.	640048	Key	1	43.	47080570	Retainer, Packing	3
5.	36200366	Seat, Valve	6	24.	97738000	Pin, Wrist	3	44.	90270500	Packing	3
6.	36200176	Plate, Valve	6	25.	47050466	Guide, Plunger	3	45.	47100051	Ring, Head, M20	3
7.	94737600	Spring	6	26.	47030001	Connecting Rod	3	46.	47216970	Intermed. Ring	3
8.	36200251	Guide, Valve	6	27.	99188400	Screw, M6x20	5	47.	90270400	Restop Ring	3
9.	701002	O-ring, .797x.103	6	28.	47160622	Cover, Crankcase	1	48.	47200074	Pump Feet	2
10.	98222800	Valve Cap	6	29.	97596800	Oil Indicator	1	49.	99364400	Screw, M10 x 18	4
11.	36703201	Valve Assembly	6	30.	98204250	Cap	1	50.	96710600	Washer, M10.2	4
12.	99303900	Screw, M8 x 16	8	31.	701013	O-ring, .426x.070	4	51.	98217600	Cap	1
13.	47151122	Cover, Crankcase Side	1	32.	99309900	Screw, M8 x 35	6	52.	96751400	Washer, M21.5	1
14.	701147	O-ring, 2.675x.103	2	34.	96728600	Washer, M14	3	53.	98210000	Cap	1
15.	640047	Bearing, Roller	2	35.	47040409	Plunger, 20 mm	3	54.	96738000	Washer, M17.5	1
16.	90162500	Seal, Oil	3	36.	660067	Ring, Back-up	3	56.	90271000	Seal, Low Press, 20 mm	3
17.	90912600	Bushing	3	37.	96728000	Washer	3				
18.	47010822	Crankcase	1	38.	47219566	Screw, Plunger	3				
19.	98210600	Oil Dip Stick	1	39.	47151022	Cover, Crankcase	3				

## REPAIR KITS

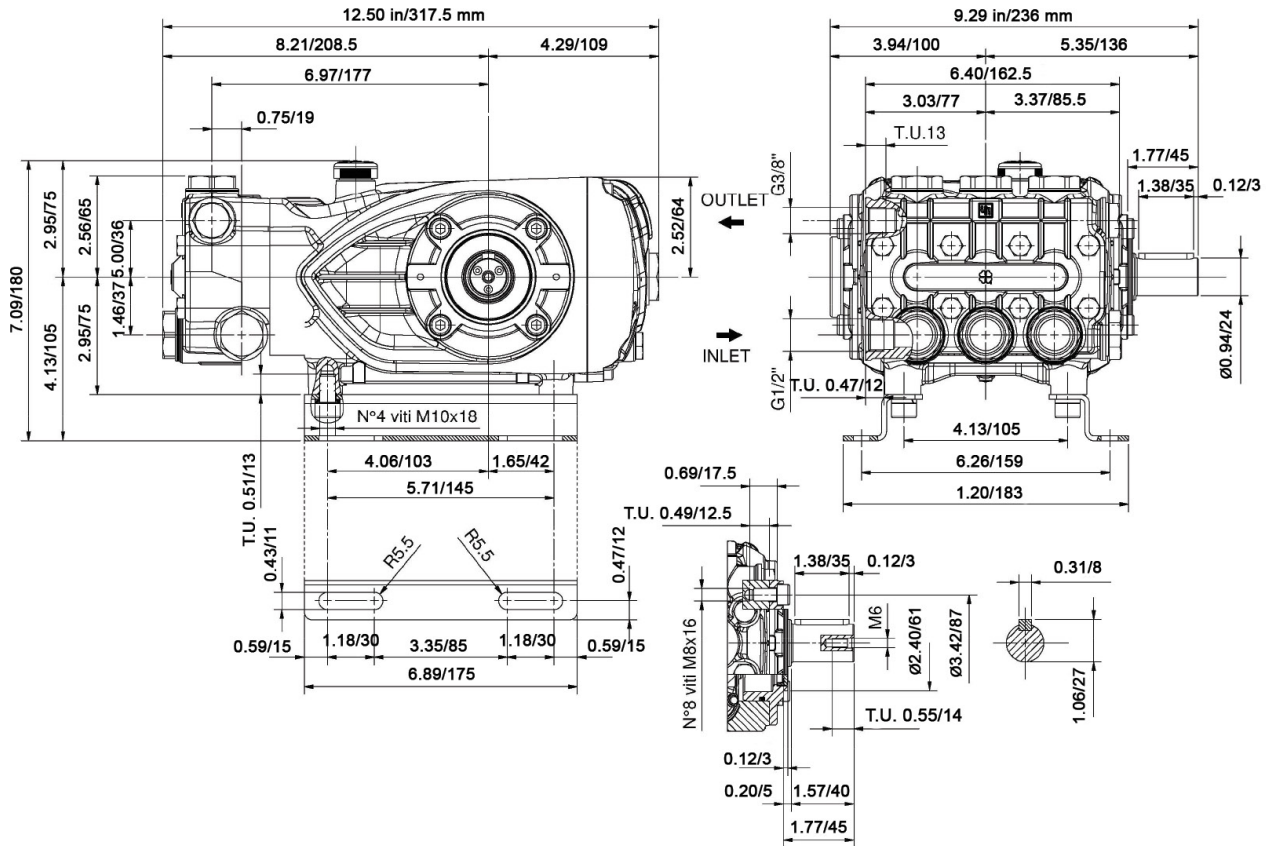
KIT NO.	K01	K02	K03	K04F	K06	K07	K10	K28	K69	K71
ITEM NO's INCLUDED IN KIT	4,5,6 7,8 (11)	16	41	9, 10	31,34,36 37,38	45	42, 43	42, 43 44, 45 46,47,56	44, 47 56	46, 47
NUMBER OF ASSEMBLIES IN KIT	6	3	2	6	3	6	3	1	3	3
NUMBER OF CYLINDERS KIT WILL SERVICE	3	3	-	3	3	3	3	1	3	3

## TORQUE SPECS\*

Pos.	Ft/lb	N-M
2	22.1	30
10	95.9	130
12	14.7	20
27	7.3	10
29	8.8	12
30	14.7	20
32	14.7	20
38	14.7	20
49	29.4	40
51	29.4	40
53	29.4	40

\* Decrease torque by 20% if threads are lubricated

## DIMENSIONAL DRAWING



## WARNINGS

**WARNING: High Pressure Systems require a primary pressure regulating device (i.e. regulator, unloader) and a secondary pressure relief device (i.e. pop-off valve, relief valve). Failure to install such relief devices properly could result in personal injury or damage to pump or property. GP does not assume any liability or responsibility for the operation of the user's high pressure system.**



WARNING: This product can expose you to chemicals including lead, which is known to the state of California to cause cancer and birth defects or other reproductive harm. For more information, go to [www.P65Warnings.ca.gov](http://www.P65Warnings.ca.gov)