



**FEATURES/BENEFITS**

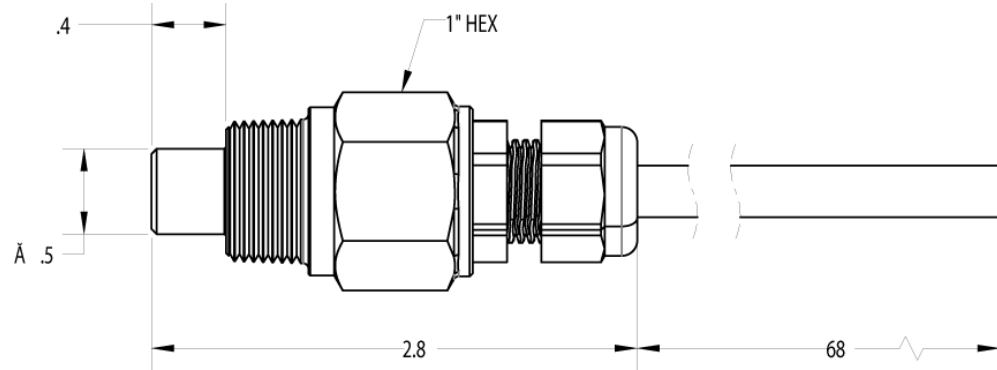
- Simple installation
- 68" 18 AWG Cable
- Normally Closed
- Can be mounted in any position
- Factory calibrated
- Made in the USA
- Precision snap action internal switch
- UL Recognized Component

**SPECIFICATIONS**

Part Number	Temperature*	Description
TS38250	250° F / 120° C	3/8" NPT
TS12250	250° F / 120° C	1/2" NPT
TS38230	230° F / 110° C	3/8" NPT
TS12230	230° F / 110° C	1/2" NPT
TS38190	190° F / 88° C	3/8" NPT
TS12190	190° F / 88° C	1/2" NPT
TS38150	150° F / 66° C	3/8" NPT
TS12150	150° F / 66° C	1/2" NPT
Max Pressure	5,000 PSI	
Voltage	5 AMPS at 120 VAC	
Cord Length	68"	
Weight	0.5 lb.	
Dimensions	2.8" x 1"	
Materials	Silver, Copper, EPDM, Brass, Steel, Nylon, Silicone	

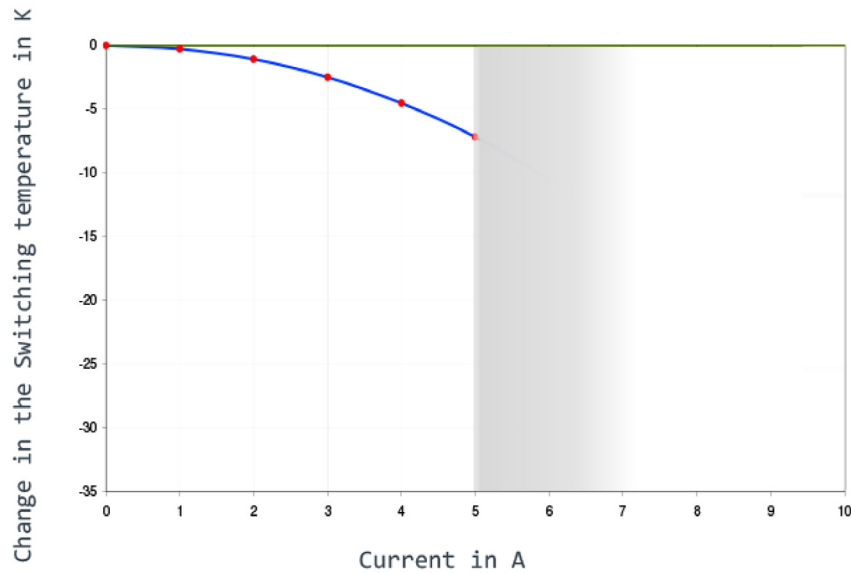
\* See graph on page 2

**DIMENSIONS**



Device accuracy  $\pm 8^{\circ}$  C

**GRAPH**



**WARNINGS**

SYSTEM VARIATIONS MAY IMPACT PERFORMANCE. GP RECOMMENDS VERIFYING ALL SPECIFICATIONS ON THE EQUIPMENT IT WILL BE USED ON.

**THIS PRODUCT MUST BE INSTALLED BY QUALIFIED PERSONNEL ONLY.**

**WARNING:** High Pressure Systems require a primary pressure regulating device (i.e. regulator, unloader) and a secondary pressure relief device (i.e. pop-off valve, relief valve). Failure to install such relief devices properly could result in personal injury or damage to pump or property. GP does not assume any liability or responsibility for the operation of a customer's high pressure system.

**WARNING:** This product can expose you to chemicals including lead, which is known to the State of California to cause cancer and birth defects or other reproductive harm. For more information, go to [www.P65warnings.ca.gov](http://www.P65warnings.ca.gov).